

CUSTOMER PRINT

PART NUMBER: DCM-USBCB-R2

NOTES:

1. THE O-RING & COUPLING RING COME PRE-ASSEMBLED ON THE CABLE.
2. THE CABLE IS INDIVIDUALLY PACKAGED.
3. THE DIMENSIONS IN BRACKET [] ARE METRIC.
4. UNLESS OTHERWISE SPECIFIED, THE TOLERANCES FOR TWO DECIMAL PLACES ARE ±0.01 [±0.25mm]

MATERIALS:

COUPLING RING: THERMOPLASTIC, BLACK
 O-RING: ELASTOMER, RED
 USB MICRO-B SHELL: COPPER ALLOY, NICKEL PLATED
 USB MICRO-B INSULATOR: THERMOPLASTIC, BLACK
 USB MICRO-B CONTACTS: COPPER ALLOY, GOLD FLASH
 SIDE "A" BODY & FLEX RELIEF: THERMOPLASTIC, BLACK
 CABLE JACKET: PVC 60P, BLACK
 CONDUCTOR: 28 AWG STRANDED TINNED COPPER

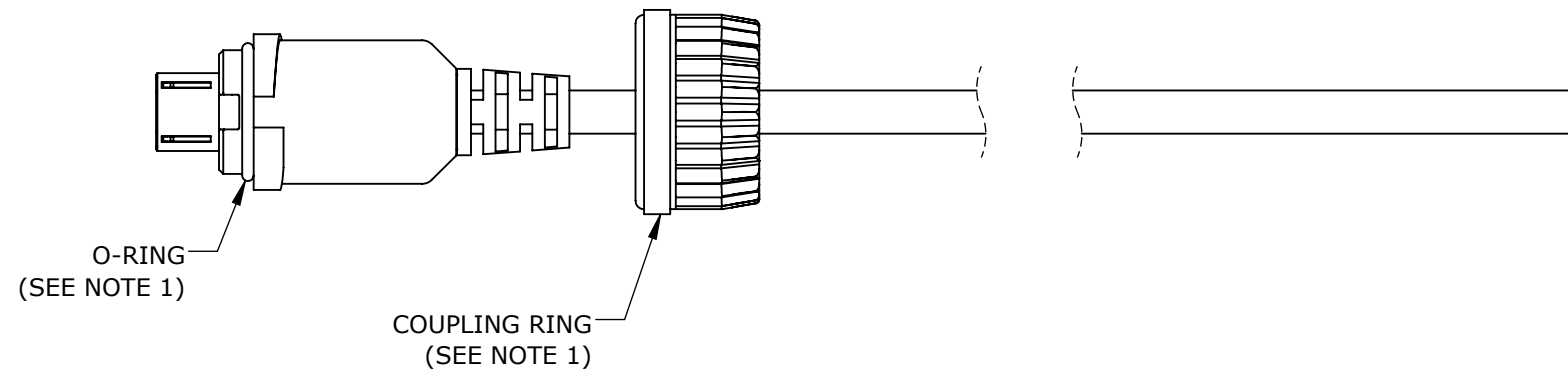
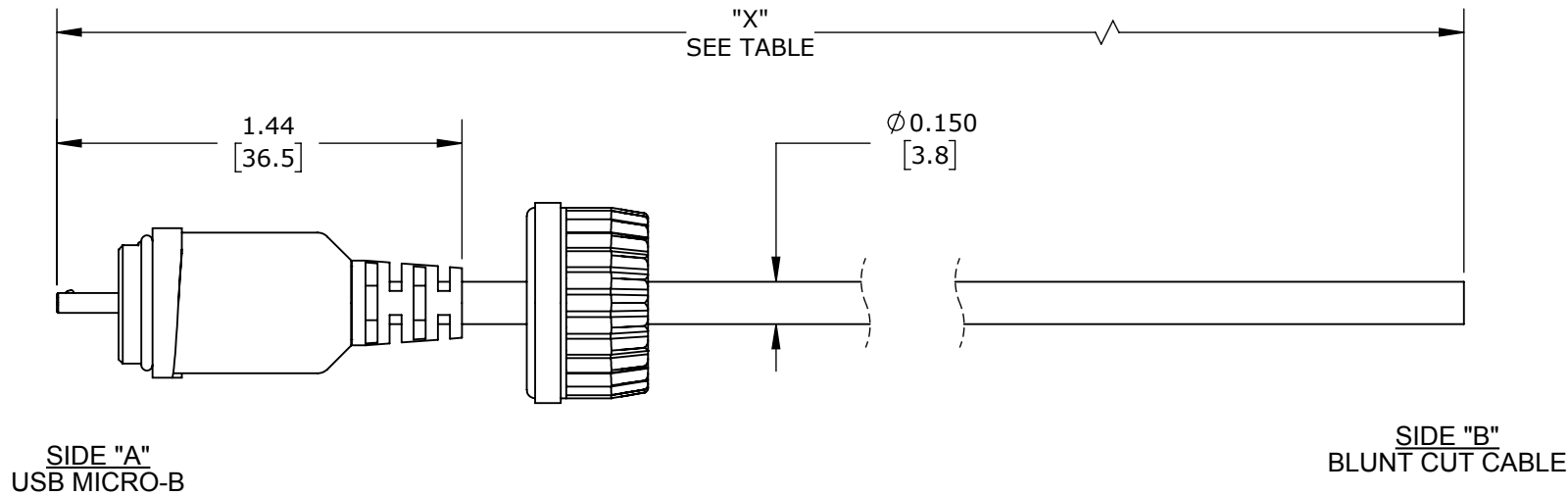
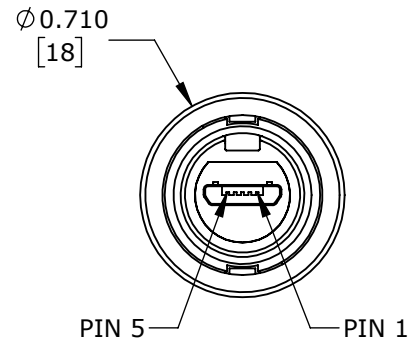
ELECTRICAL:

INSULATION RESISTANCE: 100 MΩ MINIMUM
 DIELECTRIC WITHSTANDING VOLTAGE: 100 VAC
 CONTACT CURRENT RATING: 1A MINIMUM
 RATED VOLTAGE: 30 V MAXIMUM

OTHER:

TEMPERATURE RANGE: -20°C TO +75°C (-4°F TO +167°F)
 WEATHERTIGHT RATINGS: IP66 (WHEN MATED)
 LIFE: 300 CYCLES MINIMUM (COUPLING RING)

PART NUMBER	"X" [mm]	DESCRIPTION
DCM-USBCB-R2	78.7 ± 1.0 [2000 ± 25.4]	SEALED MICRO USB 2.0 TYPE-B TO BLUNT CUT CABLE, 2M LENGTH



PIN ASSIGNMENT	
USB MICRO-B	CABLE
1	RED
2	WHITE, TWISTED PAIR
3	GREEN, TWISTED PAIR
4	NO CONNECTION
5	BLACK
SHIELD	BRAID

RoHS COMPLIANT

CUSTOMER DRAWING

OC	JGK	01/12/18	DRAWING CREATED FOR PROJECT #09013B.	
REV.	INIT.	DATE	DESCRIPTION	
	JGK	1/12/18	ORIG. DRAWN BY: JGK DATE: 1/12/18 CHECKED BY: APPROVED BY:	
ALL INFORMATION ILLUSTRATED IS THE PROPERTY OF CONXALL CORPORATION. UNAUTHORIZED DUPLICATION OR DISTRIBUTION OF THIS DOCUMENT IS PROHIBITED.			601 E. WILDWOOD VILLA PARK, IL 60181	
ALL UNITS ARE IN FEET, INCHES, FRACTION OF INCHES AND DECIMALS. UNLESS OTHERWISE SPECIFIED TOLERANCES: 3 PLACE DECIMALS ±.005 ANGLES ±1° FRACTIONS ±1/16 - CRITICAL CHARACTERISTIC FLAG PER SPEC. XXXX			TITLE: USB OVERMOLDED CABLE SERIES MICRO USB 2.0, TYPE B DATA-CON-X CUSTOMER: STANDARD PRODUCT	
SCALE	SIZE	SHEET	PART NUMBER: DCM-USBCB-R2	
1.5:1	B	1 OF 1	FILE: SAME AS P/N	REV OC
	DIRECTORY:		SLW	

X-ON Electronics

Largest Supplier of Electrical and Electronic Components

Click to view similar products for [USB Cables / IEEE 1394 Cables](#) category:

Click to view products by [Switchcraft](#) manufacturer:

Other Similar products are found below :

[68768-0173](#) [FNY-W6003-01](#) [88764-0800](#) [148700-1](#) [17-200621](#) [17-250051P](#) [954](#) [17-200261](#) [AC102012-1](#) [AC102012-2](#) [FTP-629Y601](#) [45-1345-15](#) [45-1358-15](#) [45-1363-15](#) [IP-USB1\(C10\)S-RW](#) [CABLE/RTP/USB/DT](#) [45-1351-15](#) [45-1357-15](#) [45-1433-1](#) [687680278](#)
[USBFTVX2SA2N03A](#) [USBFTV2SA2N03A](#) [USBFTV2SA2N05A](#) [FTP-629Y401](#) [FTP-628Y302](#) [FTP-628Y402](#) [CSMNB9MF-5](#) [FNY-W6022](#) [UA-30AMF-SD7B03](#) [UA-30AMFM-SL7B03](#) [USBAPSCC7202A](#) [17-200641](#) [UES-1001A160](#) [UES-1003A160](#)
[USBFTVX7SA2N20A](#) [USBFTV2PEMSA2N10A](#) [FTP-629Y602](#) [USBCAMCM100](#) [USB A/F*2 to 2.54 2*5P-SH L=400mm](#) [68784-0075](#)
[MINI-SCREW-USB-DATACABLE](#) [19800-010500-200-RS](#) [103-1092-BL-F0050](#) [103-1020-BL-00100](#) [103-1092-BL-F0200](#) [103-1092-BL-F0100](#) [105-1092-BL-00300](#) [105-1092-BL-00200](#) [105-1031-BL-00200](#) [105-1032-RE-B0200](#)