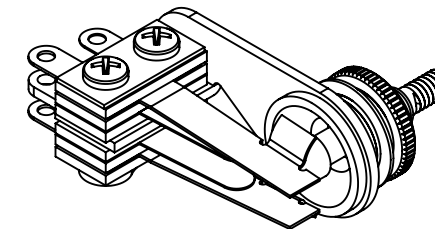
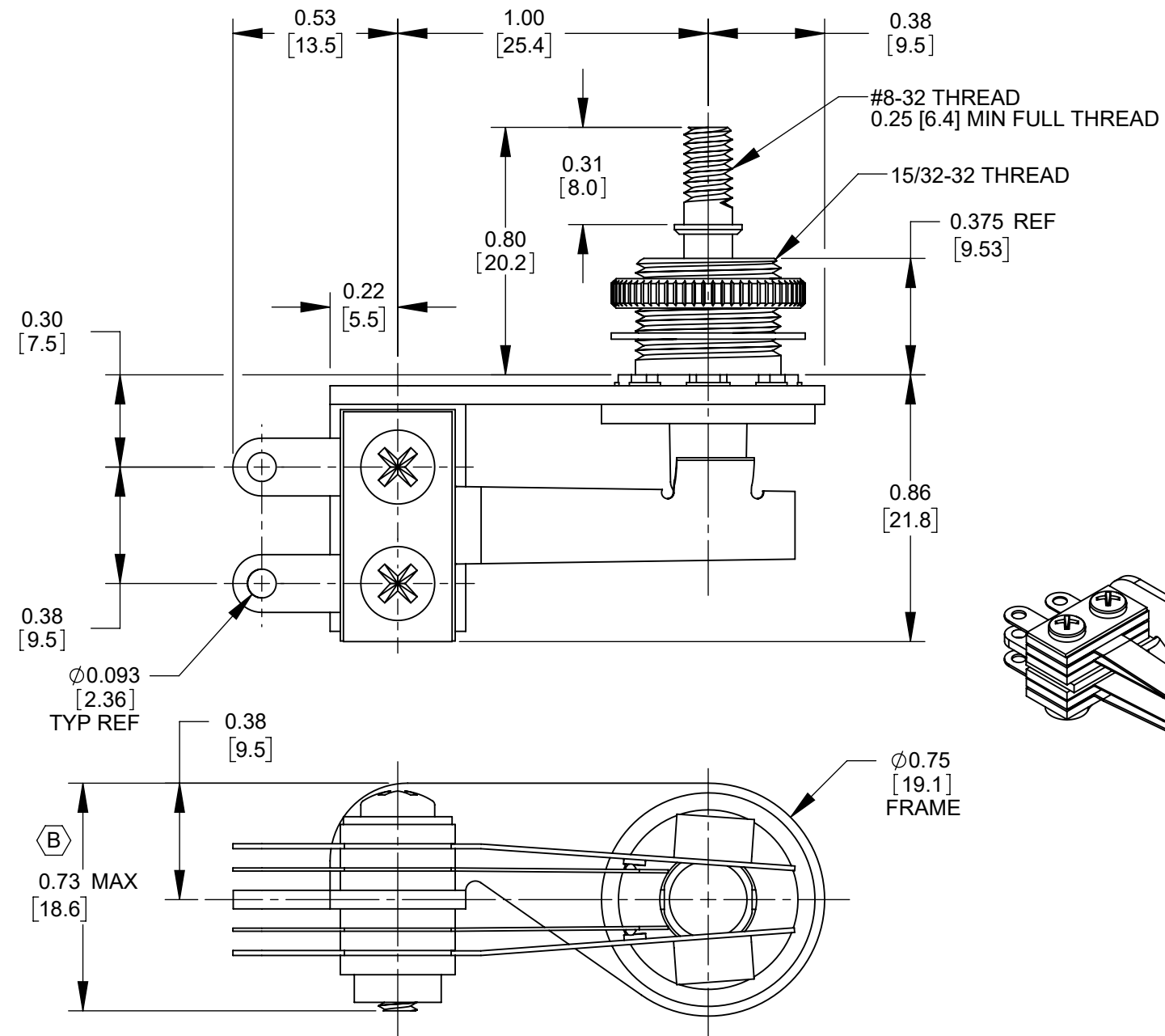
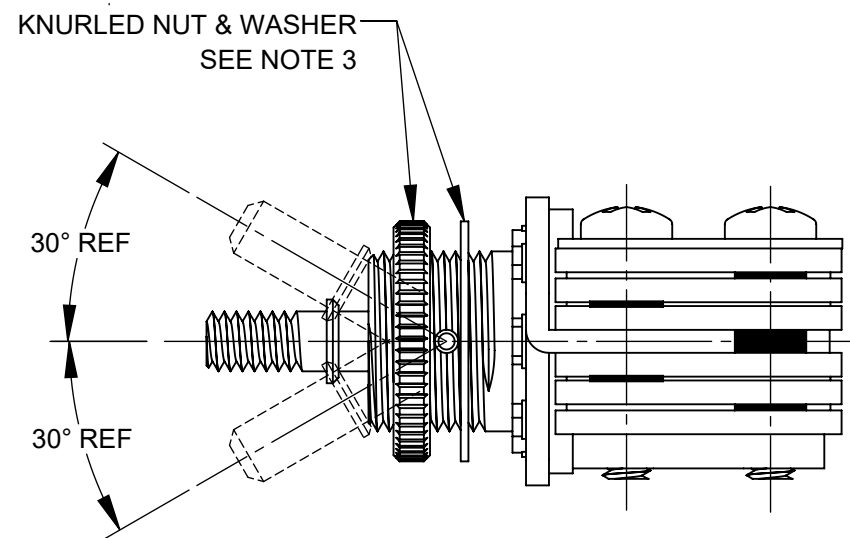




**SCHEMATIC**



**NOTES:**

1. MATERIALS:  
 FRAME - STEEL, NICKEL PLATED  
 SPRINGS - SPRING TEMPERED, NICKEL SILVER  
 BUSHING & SHAFT - BRASS, NICKEL PLATED  
 INSULATION - PHENOLIC  
 CONTACTS - GOLD  
 SCREWS - STEEL, NICKEL PLATED  
 SHAFT INSULATOR - NYLON  
 TUBING - THERMOPLASTIC  
 HARDWARE:  
 KNURLED NUT & WASHER - BRASS, NICKEL PLATED
2. ELECTRICAL CHARACTERISTICS:  
 - CONTACT RESISTANCE: 20 MILLIOHMS MAX  
 - CONTACT RATING: 3A, 300W MAX AC NON-INDUCTIVE LOAD  
 - LEAKAGE RESISTANCE: 1000 MEGAOHMS OR GREATER  
 - DIELECTRIC STRENGTH: 250 VDC
3. HARDWARE SHIPPED UNASSEMBLED.
4. THIS PRODUCT IS RoHS COMPLIANT.

**CUSTOMER DRAWING**

					THIS DRAWING DESCRIBES A DESIGN CONSIDERED PROPRIETARY IN NATURE, DEVELOPED AND MANUFACTURED BY SWITCHCRAFT INC. AND IS RELEASED ON A CONFIDENTIAL BASIS FOR IDENTIFICATION PURPOSES ONLY.				
					SIZE	WIDTH	MULT	LBS/M	TEMPER
					FINISH			MATERIAL	
					SPEC No.			SPEC No.	
					FIRST USED ON		SCALE		
							2:1		
DATE DRAWN		BY	CHKD		APVD				
2/22/10		RS	RS		TJK				
		2/22/10		03/11/20					
REV					NAME		PART No.		REV
ECO NUMBER					12000 SERIES RIGHT-ANGLE LEVER SWITCH, 3 POSITION LOCKING, RoHS		12017X		B
DATE									
BY									
APVD									
REVISIONS					DO NOT SCALE DRAWING				
B									
28409									
07/09/21									
PC									
TJK									
A									
26082									
07/07/06									
PC									
TJK									

## X-ON Electronics

Largest Supplier of Electrical and Electronic Components

*Click to view similar products for [Toggle Switches](#) category:*

*Click to view products by [SWITCHCRAFT](#) manufacturer:*

Other Similar products are found below :

[8928K478](#) [8951K2998](#) [8951K3310](#) [8956K1283](#) [8956K1285](#) [8956K1286](#) [8956K1287](#) [8961K155](#) [8A1-C-222](#) [020017-13](#) [0090-0001](#) [0121-0015](#) [CS115W](#) [CS120W](#) [CS1223GY](#) [CS215I](#) [CS8275](#) [637H/25](#) [7101SPDV30BE](#) [7103SDV30BE](#) [7105D](#) [7108P3YAV2BE](#) [71YY50282](#) [7209SY9AQE](#) [7209SYCBE](#) [7300K36](#) [7301SS24484](#) [7303KZQE](#) [7306K36](#) [7503K21](#) [7565K6](#) [7595K6](#) [7660K12](#) [7691K14](#) [7704K3](#) [8391K108](#) [8811K17](#) [8825K5](#) [8835K3](#) [8858K44](#) [8E4011](#) [1202W](#) [A201SCWZB04](#) [A208J61ZQ0004](#) [A232S1YZQ](#) [1201W](#) [1203W](#) [12149A-3V](#) [12156AX408](#) [1221W](#)