

MASS (g)	VOLUME (mm ³)
7.6	1169

ELECTRICAL:
EMI SHIELDING : SHIELDED FOR THE RANGE 55dB UP TO 100MHZ
INSULATION RESISTANCE : >500MΩ PER ANSI-EIA-364-D METHOD 21
MAX. CURRENT RATING : SEE INSULATOR DRAWING
CONNECTOR TESTING VOLTAGE : SEE INSULATOR DRAWING
CONNECTOR WORKING VOLTAGE : SEE INSULATOR DRAWING

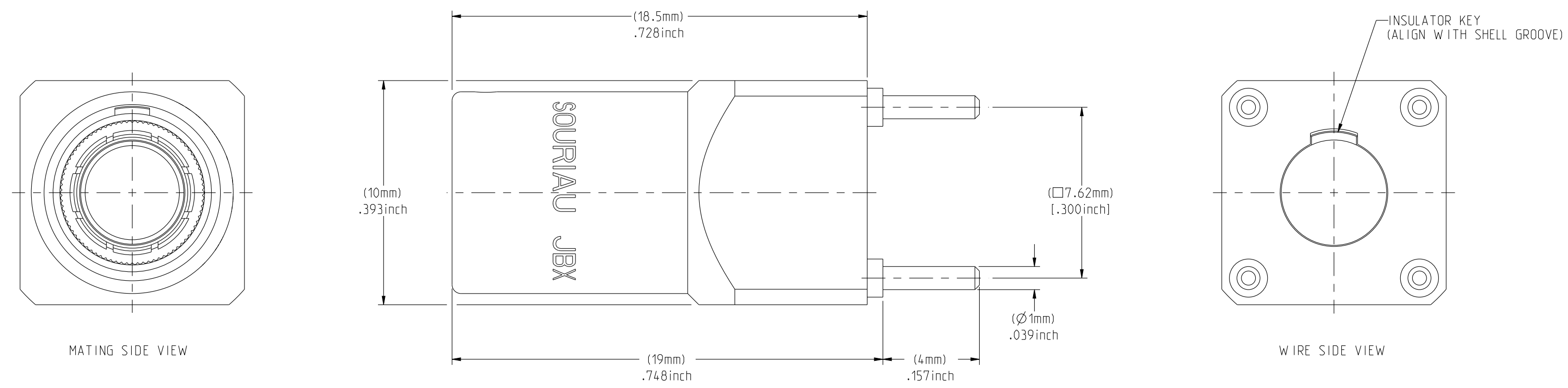
ENVIRONMENTAL:
ENDURANCE: 1000 CYCLES AS PER MIL-STD 1344A, METHOD 2016.1
SHOCK: 50 g , DURATION 6 ms; AS PER MIL-STD 1344A, METHOD 2004.1
VIBRATIONS: 10 TO 2000Hz g = 15g, AS PER MIL-STD 1344A, METHOD 2005.1
PROTECTION INDEX: IP 40 AS PER CEI 529

ROHS COMPLIANT

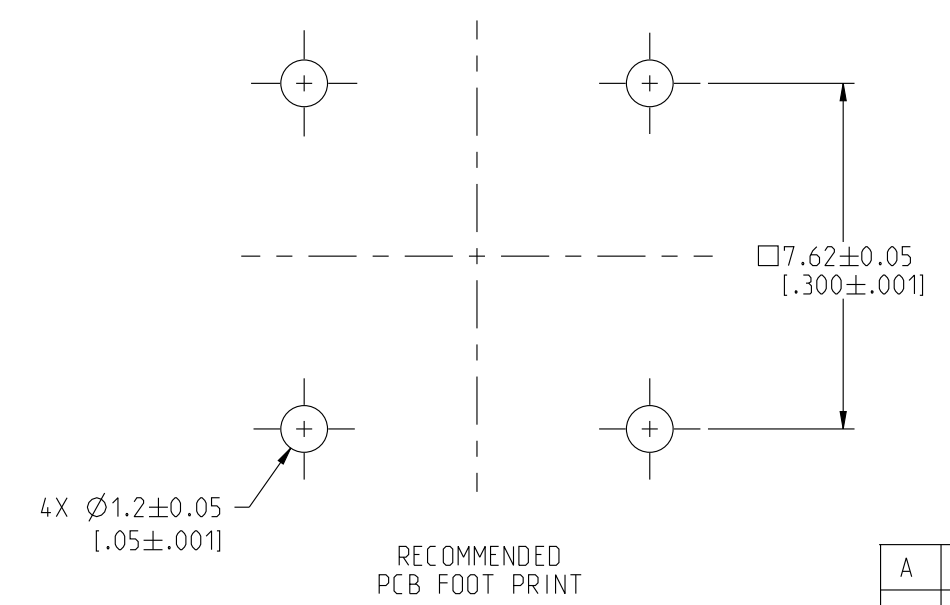
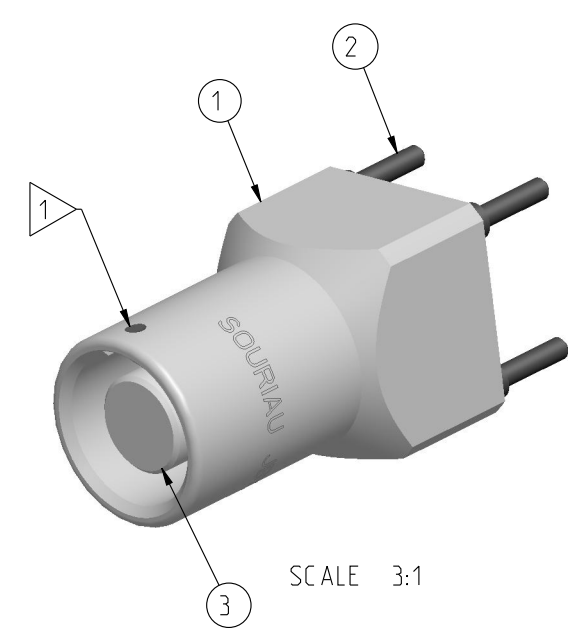
SALT MIST : 48Hr PER SAE AS 1344 METHOD 1001.1 CEI 529

OPERATING TEMPERATURE: -55°C TO +125°C (-67°F TO +257°F)

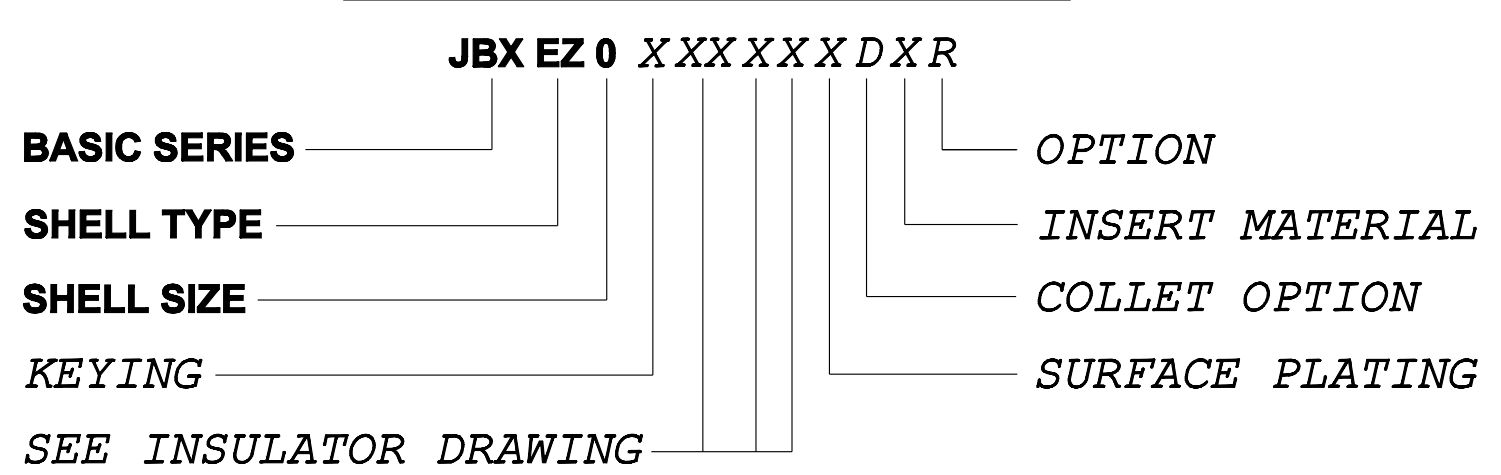
NOTES:
1 RED DOT
MATERIAL:
OUTER SHELL & SHIELD RING : } BRASS
FINISH:
OUTER SHELL : CHROME
OTHER BRASS PARTS : NICKEL



PART LIST	
ITEM NO.	DESCRIPTION
1	SHELL
2	MOUNTING PIN
3	INSULATOR



CATALOG NUMBER DESCRIPTION



LINEAR MEASURE:	mm (INCH)
THIRD ANGLE PROJECTION	
TOLERANCES UNLESS OTHERWISE SPECIFIED	
No. OF PLACES	mm [INCH]
WHOLE No.	±0.5 [±.02]
ONE PLACE	±0.2 [±.008]
TWO PLACES	±0.1 [±.004]
ANGLES ±1°	

DRAWING TITLE
JBX, SIZE O, RECEPTACLE FOR PCB

CAT NO. **JBXEZO**

CAGE NO: 09922 SIZE: C

CUSTOMER

SOURIAU
www.souriau.com

APPROVAL
DRAWN: SKV 01-08-15
CHKD: EV 01-08-15
DSGN: EV 01-08-15
MFG: DH 01-08-15
QC: BB 01-08-15

DRAWING SCALE: 6:1
DRAWING NO. **JBXEZOC** REV **A**

1 OF 1

THIS DRAWING IS A CONTROLLED DOCUMENT FOR SOURIAU USA, INC. IT IS SUBJECT TO CHANGE WITHOUT NOTIFICATION. CONTACT THE DOCUMENT CONTROL CENTER FOR THE LATEST REVISION.
THE INFORMATION CONTAINED IN THIS DRAWING IS CONFIDENTIAL AND MAY NOT BE DISCLOSED WITHOUT WRITTEN CONSENT FROM SOURIAU USA, INC.

THIS DRAWING IS A CONTROLLED DOCUMENT FOR SOURIAU USA, INC. IT IS SUBJECT TO CHANGE WITHOUT NOTICE. CONTACT THE DOCUMENT CONTROL CENTER FOR THE LATEST REVISION.

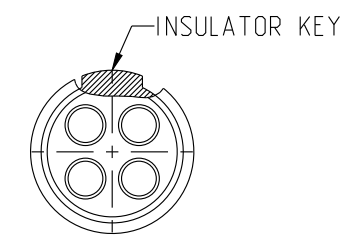
THE INFORMATION CONTAINED IN THIS DRAWING IS CONFIDENTIAL AND MAY NOT BE DISCLOSED WITHOUT WRITTEN CONSENT FROM SOURIAU USA, INC.

2

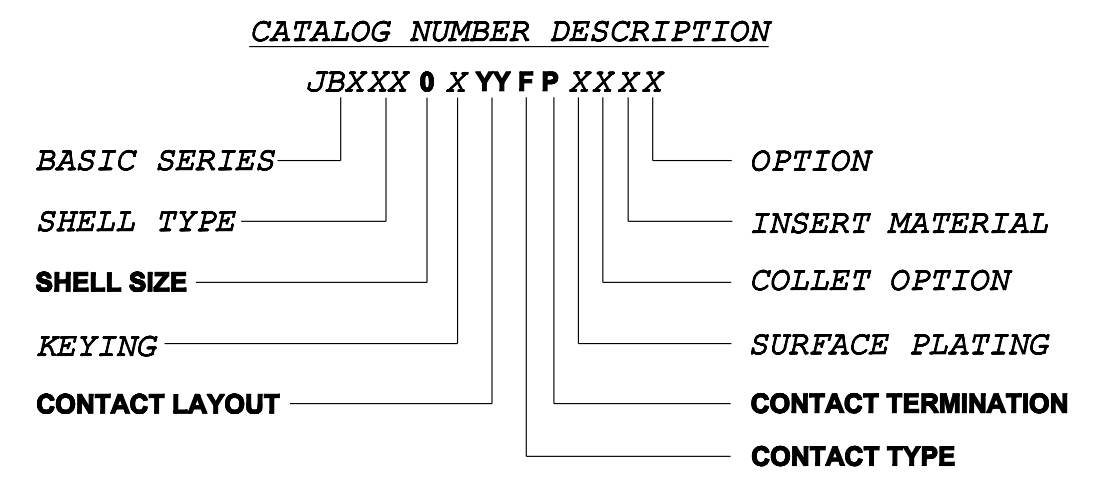
1

DWG. NO. JBX0INSFPC **FEMALE INSULATOR, STRAIGHT PCB CONTACT**

CONTACT LAYOUT	02	03	04	05
FRONT SIDE VIEW				
REAR SIDE VIEW				
CONTACT				
ISO VIEW				
CONTACT	ØC: 0.9, ØF: 0.7, MAX. AWG: -, MAX. CURRENT RATING (A): 10, CONTACT RESISTANCE (mΩ): 3.5, NUMBER OF CAVITY: 2	ØC: 0.9, ØF: 0.7, MAX. AWG: -, MAX. CURRENT RATING (A): 10, CONTACT RESISTANCE (mΩ): 3.5, NUMBER OF CAVITY: 3	ØC: 0.7, ØF: 0.5, MAX. AWG: -, MAX. CURRENT RATING (A): 7, CONTACT RESISTANCE (mΩ): 5, NUMBER OF CAVITY: 4	ØC: 0.7, ØF: 0.5, MAX. AWG: -, MAX. CURRENT RATING (A): 7, CONTACT RESISTANCE (mΩ): 5, NUMBER OF CAVITY: 5
INSULATOR	MAX. CURRENT RATING: 10, TEST VOLTAGE (Vrms): 1400, WORKING VOLTAGE (Vdc/Vrms): 660/460	MAX. CURRENT RATING: 8, TEST VOLTAGE (Vrms): 1300, WORKING VOLTAGE (Vdc/Vrms): 600/420	MAX. CURRENT RATING: 7, TEST VOLTAGE (Vrms): 1350, WORKING VOLTAGE (Vdc/Vrms): 600/460	MAX. CURRENT RATING: 6.5, TEST VOLTAGE (Vrms): 800, WORKING VOLTAGE (Vdc/Vrms): 400/260



CONTACT TYPE : F (FEMALE)
CONTACT TERMINATION : P (PCB)
MATERIAL :
 CONTACT: CUPRO NICKEL
 INSULATOR: PEEK
FINISH:
 CONTACTS: GOLD



B	REVISED PER ECN 12286	RSK 06-10-15	EV 06-10-15
A	RELEASED PER ECN 12264	SKV 03-10-15	EV 03-10-15
REV	DESCRIPTION	BY DATE	CHKD DATE

DRAWING TITLE: **JBX, SIZE 0, FEMALE INSULATOR, PCB CONTACT**
 CAT. NO.: **JBX0INSFP**

CAGE NO: 09922	SIZE: B	APPROVAL	DRAWN: SKV 02-02-15
CUSTOMER	SOURIAU	WWW.SOURIAU.COM	CHKD : EV 02-02-15
			DSGN : EV 02-02-15
INTERPRET THIS DRAWING IN ACCORDANCE WITH ASME Y14.5M - 1994.			MFG : DH 02-02-15
			QC : BB 02-02-15
		DRAWING SCALE: NA	
		DRAWING NO. REV	
		JBX0INSFPC B	
		1 OF 3	

LINEAR MEASURE: $\frac{mm}{INCH}$ mm (INCH)

THIRD ANGLE PROJECTION

TOLERANCES UNLESS OTHERWISE SPECIFIED

No. OF PLACES	mm [INCH]
ONE PLACE	±3 [±.1]
TWO PLACES	±0.5 [±.02]
THREE PLACES	±0.25 [±.010]
ANGLES ±1°	

B

A

2

1

PRO-E

THIS DRAWING IS A CONTROLLED DOCUMENT FOR SOURIAU USA, INC. IT IS SUBJECT TO CHANGE WITHOUT NOTICE. CONTACT THE DOCUMENT CONTROL CENTER FOR THE LATEST REVISION.

THE INFORMATION CONTAINED IN THIS DRAWING IS CONFIDENTIAL AND MAY NOT BE DISCLOSED WITHOUT WRITTEN CONSENT FROM SOURIAU USA, INC.

2

1

DWG. NO. JBX0INSFPC				
CONTACT LAYOUT	06	07	08	
FRONT SIDE VIEW				
REAR SIDE VIEW				
CONTACT				
ISO VIEW				
	ØC	0.5	0.5	0.5
	ØF	0.5	0.5	0.5
	MAX. AWG	-	-	-
	MAX. CURRENT RATING (A)	5	5	5
	CONTACT RESISTANCE (mΩ)	10	10	10
	NUMBER OF CAVITY	6	7	8
	MAX. CURRENT RATING	2.5	2.5	2
	TEST VOLTAGE (Vrms)	680	680	680
	WORKING VOLTAGE (Vdc/Vrms)	320/220	320/220	190/130

B

A

LINEAR MEASURE:	
THIRD ANGLE PROJECTION	
TOLERANCES UNLESS OTHERWISE SPECIFIED	
No. OF PLACES	mm [INCH]
ONE PLACE	±3 [±.1]
TWO PLACES	±0.5 [±.02]
THREE PLACES	±0.25 [±.010]
ANGLES ±1°	

DRAWING TITLE JBX, SIZE 0, FEMALE INSULATOR, PCB CONTACT	
CAT. NO. JBX0INSFP	
CAGE NO: 09922	SIZE: B
CUSTOMER	SOURIAU
INTERPRET THIS DRAWING IN ACCORDANCE WITH ASME Y14.5M - 1994.	WWW.SOURIAU.COM
APPROVAL	DRAWN: SKV 02-02-15 CHKD : EV 02-02-15 DSGN : EV 02-02-15 MFG : DH 02-02-15 QC : BB 02-02-15
	DRAWING SCALE: NA
	DRAWING NO. REV
	JBX0INSFPC B
	2 OF 3

2

1

PRO-E

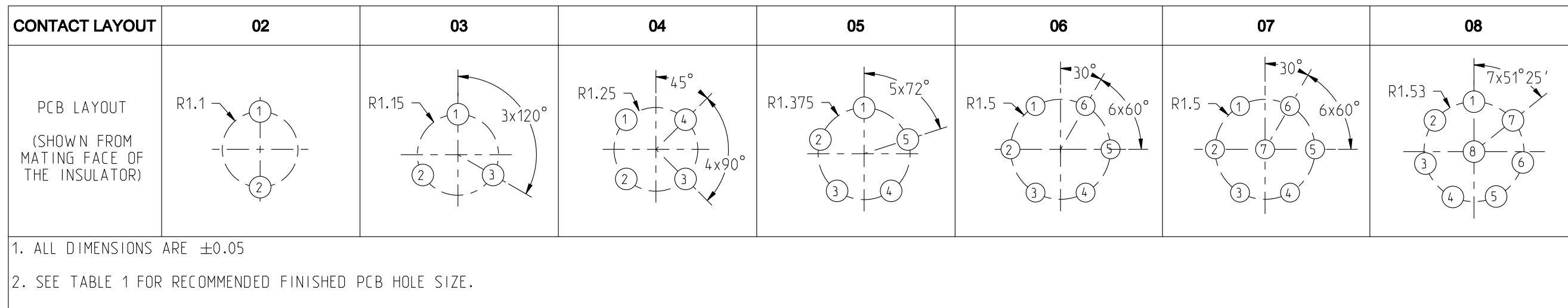
THIS DRAWING IS A CONTROLLED DOCUMENT FOR SOURIAU USA, INC. IT IS SUBJECT TO CHANGE WITHOUT NOTICE. CONTACT THE DOCUMENT CONTROL CENTER FOR THE LATEST REVISION.

THE INFORMATION CONTAINED IN THIS DRAWING IS CONFIDENTIAL AND MAY NOT BE DISCLOSED WITHOUT WRITTEN CONSENT FROM SOURIAU USA, INC.

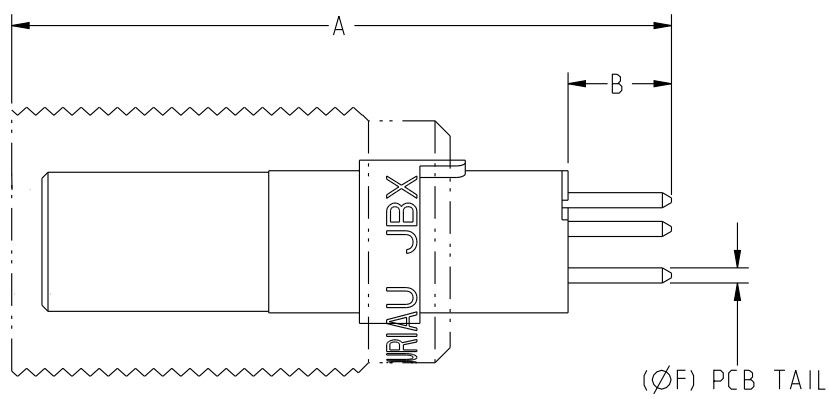
2

1

DWG. NO.
JBX0INSFPC



CONTACT PCB TAIL SIZE DIA	FINISHED PCB HOLE SIZE DIA
0.5	0.75
0.7	0.95



LAYOUT	02	03	04	05	06	07	08
A	21.8				21.6		
B	3.4				5.4		

LINEAR MEASURE:	$\frac{mm}{INCH}$ mm (INCH)
THIRD ANGLE PROJECTION	
TOLERANCES UNLESS OTHERWISE SPECIFIED	
No. OF PLACES	mm [INCH]
ONE PLACE	± 3 [$\pm .1$]
TWO PLACES	± 0.5 [$\pm .02$]
THREE PLACES	± 0.25 [$\pm .010$]
ANGLES $\pm 1^\circ$	

DRAWING TITLE JBX, SIZE 0, FEMALE INSULATOR, PCB CONTACT	
CAT NO. JBX0INSFP	
CAGE NO: 09922	SIZE: B
CUSTOMER	SOURIAU
INTERPRET THIS DRAWING IN ACCORDANCE WITH ASME Y14.5M - 1994.	
WWW.SOURIAU.COM	3 OF 3

APPROVAL	DRAWN: SKV 02-02-15
	CHKD : EV 02-02-15
	DSGN : EV 02-02-15
	MFG : DH 02-02-15
	QC : BB 02-02-15
DRAWING SCALE: NA	
DRAWING NO. REV	
JBX0INSFPC	B

B

A

2

1

PRO-E

X-ON Electronics

Largest Supplier of Electrical and Electronic Components

Click to view similar products for [Circular Push Pull Connectors](#) category:

Click to view products by [Sunbank](#) manufacturer:

Other Similar products are found below :

[6407-249V-11273P](#) [6408-201V-13273](#) [6408-202V-13343](#) [6408-202V-17343](#) [EZG.0B.309.CLN](#) [FFA.2S.310.ZLA](#) [FGJ.1B.304.CLLD76](#)
[FGJ.1B.306.CWLD72](#) [FGJ.3B.304.CYMD10Z](#) [FGJ.3B.304.CYMD82Z](#) [FHG.1B.303.CYCZ](#) [PCS.01.250.DLLE24](#) [PHG.0K.305.CYMC40Z](#)
[PHG.1K.308.CLLK85](#) [PKG.M0.6BL.LZ](#) [PLC.M1.0SL.LA](#) [GMA.10.290.DN](#) [GMA.3B.090.DA](#) [PRG.M0.6GL.LC52GZ](#) [PSA.1S.275.CTLC66](#)
[ABF.1S.250.NTA](#) [133020F](#) [1331ER193MZ](#) [1332M107MZ](#) [DTS26Z19-32JA-LC](#) [DTS26Z19-32SA](#) [DTS26Z19-32SA-LC](#) [EAJ.1B.306.CWA](#)
[ECG.XB.312.CLL](#) [1589430-2](#) [EEA.0B.305.CLN](#) [EEA.0B.309.CLL](#) [ELF.00.250.NTL](#) [BRR.2S.200.PZVG](#) [HR10A-P](#) [CAH.M34.SLL.C72GZ](#)
[CAJ.M34.SLL.C72GZ](#) [300500](#) [ESB.00.303.NLL](#) [EXG.0B.309.HLN](#) [FFB.1S.250.CLAC27](#) [FGA.2B.306.CYCD92](#) [FGA.2B.306.CYCD92Z](#)
[FGJ.3B.308.CLLD72Z](#) [FHG.1B.303.CYCD62](#) [FLC.00.250.CTAC27](#) [FLC.00.250.CTAC31](#) [PCS.01.250.DLLE31](#) [PKA.M1.0TL.LG](#)
[PKC.M0.7GL.NG](#)