

Bellows suction cups (round)

FSGA 14 NK-45 G1/8-IG

Part no...:10.01.06.00386

<https://www.schmalz.com/10.01.06.00386>

Home > Vacuum Technology for Automation > Vacuum Components > Vacuum Suction Cups > Bellows Suction Cups (Round) > Bellows Suction Cups FSGA (1.5 Folds) > FSGA 14 NK-45 G1/8-IG

Bellows suction cup (round) with optimal adaptation to uneven surfaces



Size: 14

Suction cup material: Natural Rubber NK

Material hardness [Shore A]: 45 Shore A

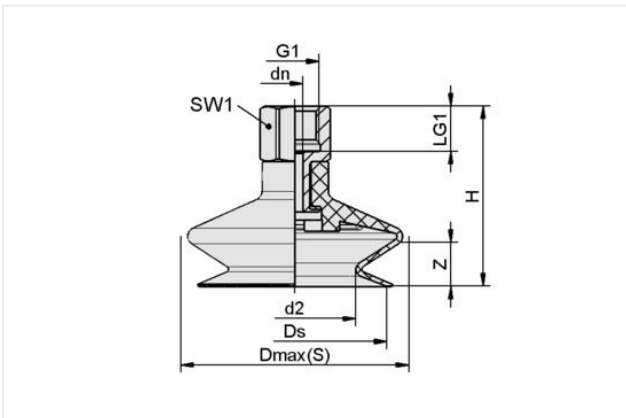
Nipple material: Aluminum

Connection: G1/8"-F

Number of folds: 1.5

Vacuum connection: G1/8"-F

Design Data



Attribute	Value
d2	5 mm
Dmax(S)	14.50 mm
dn	3.50 mm
Ds	12.50 mm
G1	G1/8"-F
H	28 mm
LG1	8 mm
SW1	14 mm
Z (Stroke)	5 mm

Note: Acceptable dimensional tolerances for elastomer parts concerning to DIN ISO 3302-1 M3

Technical Data

Attribute	Value
Suction cup material	Natural Rubber NK
Material hardness [Shore A]	45 Shore A
Size	14
Number of folds	1.50
Connection	G1/8-IG
Curve radius (min) (convex)	15 mm
Volume	0.42 cm ³

Contact Schmalz

Schmalz Sp.z.o.o. | ul. Fabianowska 131/A1, 62-052 Komorniki, Poland | +48 61 628 67 70 | schmalz@schmalz.pl

Bellows suction cups (round)

FSGA 14 NK-45 G1/8-IG

Part no...:10.01.06.00386

<https://www.schmalz.com/10.01.06.00386>

Suction force (-600mbar)	1.20 N
Pull-off force	5 N
Hose diameter (empf.) d	4 mm
Weight	5.20 g
Product family	FSGA

Note: Suction force: The specified suction forces are theoretical values at a vacuum of -0.6 bar and with a dry, smooth and flat workpiece surface - they do not include a safety factor Pull-off force: The pull-off force of the versions made of natural rubber is reduced by about 40% Hose diameter: The recommended hose diameter refers to a hose length of approx. 2 m

Spare parts



SA-NIP N016 G1/8-IG DN350

Part no...:10.01.06.05731

Nipple family: N 016

Thread G1: G1/8"-F

Length L1: 18.5 mm

Fitting length: 12 mm

Nominal diameter dn: 3.5 mm

Material: Aluminum



FGA 14 NK-45 N016

Part no...:10.01.06.00372

Size: 14

Suction cup material: Natural Rubber NK

Material hardness [Shore A]: 45 Shore A

Number of folds: 1.5

X-ON Electronics

Largest Supplier of Electrical and Electronic Components

Click to view similar products for [Bench Top Tools](#) category:

Click to view products by [SCHMALZ](#) manufacturer:

Other Similar products are found below :

[6104-201-2102](#) [6104-201-2502](#) [6-1372442-6](#) [62500-1584](#) [63801-7252](#) [63801-7269](#) [69002-5525](#) [691667-1](#) [7-18023-8](#) [768539-1](#) [856203-1](#)
[904449-1](#) [9-22280-9](#) [1-1901086-7](#) [1-1976053-3](#) [1-21000-3](#) [1-2119644-2](#) [1-21000-1](#) [1-21000-6](#) [1-25022-4](#) [122983-1](#) [1424264-1](#) [1424267-1](#)
[1428211-1](#) [1-455755-6](#) [18023-9](#) [189763-1](#) [1901726-1](#) [1954222-1](#) [21001-2](#) [2119083-1](#) [2161362-2](#) [2161930-1](#) [2217088-2](#) [2217339-1](#)
[2217347-1](#) [240825-4](#) [992342-2](#) [2030790-2](#) [2063796-1](#) [2119092-1](#) [2119644-1](#) [2119645-1](#) [2161362-1](#) [2168400-1](#) [217866-1](#) [2-21000-0](#)
[2217088-1](#) [2217088-3](#) [2217973-1](#)