

UNLESS OTHERWISE NOTED
 DIMENSIONS ARE IN INCHES
 TOLERANCES ARE:
 ONE PLACE DECIMALS ± .1 [3] THREE PLACE DECIMALS ± .005 [.13]
 TWO PLACE DECIMALS ± .01 [.3] FOUR PLACE DECIMALS ± .0020 [.051]

TITLE:
LOW PROFILE SOCKET STRIP
 ANGLES ± 2°

DWG NO:
SLW-1XX-01-X-X
 SHEET 1 OF 1

| CRITICAL DIMENSION INSPECTION TABLE | |
|-------------------------------------|-----------------------|
| ASSEMBLY OPERATION | IN-PROCESS INSPECTION |
| FILL | C1 |
| ROTARY CUT | C2 |

SLW-1XX-01-X-X

POSITION SPECIFICATION
 -01 THRU -50 PER ROW
 "A" = NO. OF POS. x .100 [2.54]

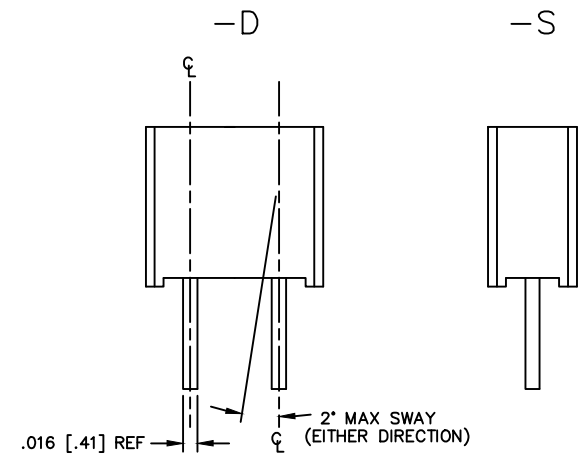
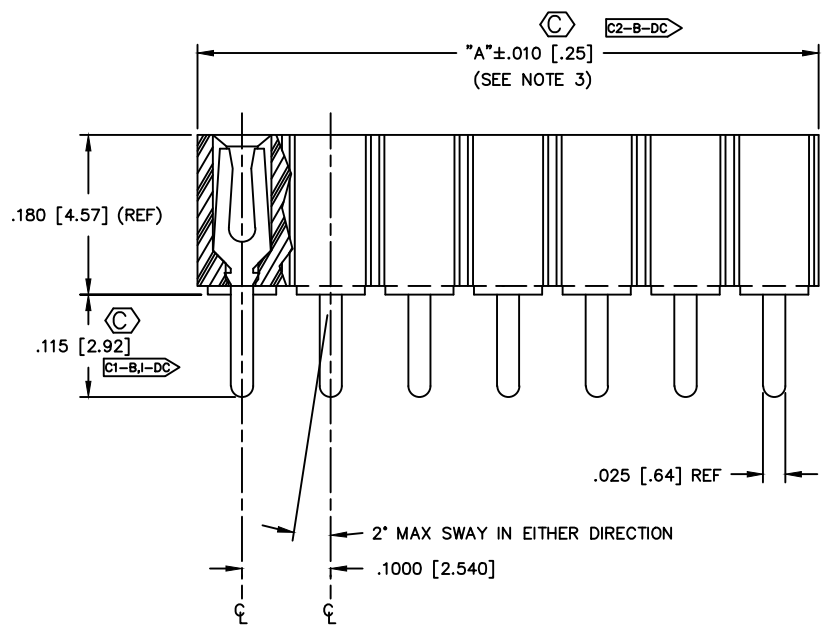
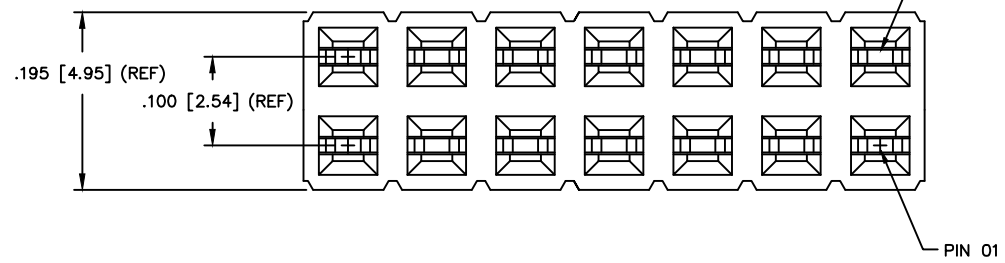
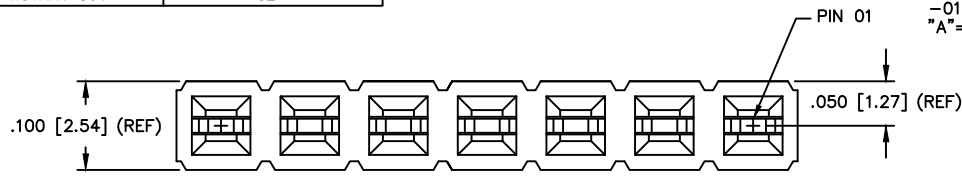
ROW SPECIFICATION
 -D: DOUBLE (USE SLW-50-D)
 -S: SINGLE (USE SLW-50-S)

CONTACT STYLE
 -01: USE C-28-X

PLATING SPECIFICATION
 -G: 20μ" GOLD IN CONTACT AREA, 3μ" GOLD ON TAIL
 -T: MATTE TIN CONTACT AND TAIL
 -S: 30μ" SELECTIVE GOLD IN CONTACT AREA, MATTE TIN ON TAIL
 -F: 3μ" FLASH SELECTIVE GOLD IN CONTACT AREA, MATTE TIN ON TAIL
 -H: 30μ" HEAVY GOLD IN CONTACT AREA, 3μ" GOLD TAIL
 -L: 10μ" LIGHT SELECTIVE GOLD IN CONTACT AREA, MATTE TIN ON TAIL

NOTES:

- MIN PUSHOUT FORCE: 1 lb.
- MAX BOW: .005 in/in [mm/mm], .025 [.64]
- CUT END WALLS TO BE .012 [.30] MIN.
- (C) REPRESENTS CRITICAL DIM.
- FOR STATISTICAL PROCESS CONTROL.
- .010 [.25] MAX CUT FLASH
- NO TUBE PACKAGING REQUIRED



PLOT SCALE: 1=1

Do not scale from this print

PROPRIETARY NOTE
 THIS DOCUMENT CONTAINS INFORMATION CONFIDENTIAL AND PROPRIETARY TO SAMTEC INC. AND SHALL NOT BE REPRODUCED OR TRANSFERRED TO OTHER DOCUMENTS OR DISCLOSED TO OTHERS OR USED FOR ANY PURPOSE OTHER THAN THAT FOR WHICH IT WAS OBTAINED WITHOUT THE EXPRESSED WRITTEN CONSENT OF SAMTEC INC.

samtec MISUMITSU SLW-MKT
 520 PARK EAST BLVD. NEW ALBANY, INDIANA 47150
 PHONE (812) 944-8733 P.O. BOX 1147
 CODE 55322

| | | |
|------------------------|--------------------|----------------|
| MADE BY: PURVIS 9-4-87 | ENG. APPROVAL: DEM | SLW-1XX-01-X-X |
| CHECKED BY: McCARTIN | | SHEET 1 OF 1 |

X-ON Electronics

Largest Supplier of Electrical and Electronic Components

Click to view similar products for [Headers & Wire Housings](#) category:

Click to view products by [Samtec](#) manufacturer:

Other Similar products are found below :

[892-18-020-10-001101](#) [58102-G61-06LF](#) [582553-1](#) [0009485154](#) [009176003701906](#) [0050291907](#) [LY20-4P-DT1-P1E-BR](#) [02.125.8002.8](#)
[609-3404](#) [61062-3](#) [61082-181009](#) [622-3653LF](#) [63453-116](#) [636-1030](#) [636-1427](#) [636-3427](#) [636-4007](#) [641938-9](#) [641991-4](#) [644827-2](#) [65817-010LF](#) [65817-015LF](#) [65863-015LF](#) [66207-023LF](#) [67095-007LF](#) [67601157](#) [68645-018](#) [68648-049](#) [70.362.1628.0](#) [70-4210](#) [70-4226B](#) [70-4853B](#) [707-5020](#) [707-5028](#) [71.350.2428.0](#) [71918-208LF](#) [71961-016LF](#) [733-134](#) [733-162](#) [754199-000](#) [760-3052](#) [787-8014-00](#) [79531-3000](#)
[FCN-360C032-B](#) [FCN-367T-T012/H](#) [FCN-723D010/2](#) [80.063.4001.1](#) [800-90-001-10-001000](#) [800-90-010-10-002000](#) [801-43-002-10-013000](#)