

**SFMX SERIES**

(1,27 mm) .050"

# FLEX LOCK/LATCH SOCKET STRIP

**SPECIFICATIONS**

For complete specifications and recommended PCB layouts see [www.samtec.com?SFMX](http://www.samtec.com?SFMX)

**Insulator Material:** Black Liquid Crystal Polymer  
**Contact Material:** Phosphor Bronze  
**Plating:** Au over 50µ" (1,27 µm) Ni

**Operating Temp Range:** -55°C to +125°C  
**Contact Resistance:** 15 mΩ

**Insertion Depth:** (3,05 mm) .120" to (4,06 mm) .160"

**Insertion Force:** (Single contact only) 2.5 oz (0,69 N) avg.

**Withdrawal Force:** (Single contact only) 2.0 oz (0,57 N) avg.

**Unmating Force:** Withdrawal force per contact: 2.0 oz (0,57 N) avg; Incremental unmating force with latching mechanism: 10 & 15 pins/row (One Latch) increases withdrawal force by 4 x avg; 20-30 pins/row (Two Latches) increases withdrawal force by 3 x avg; 35-50 pins/row (Three Latches) increases withdrawal force by 1.7 x avg  
**RoHS Compliant:** Yes

**Processing:** Lead-Free Solderable: Yes

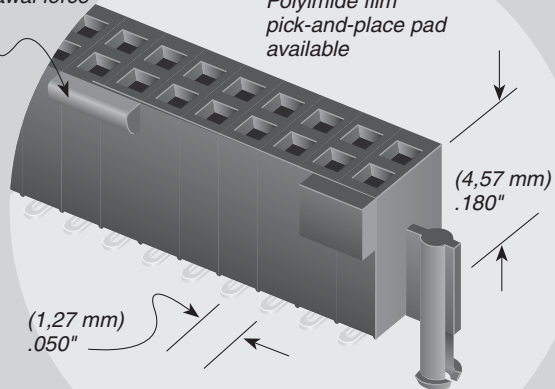
**SMT Lead Coplanarity:** (0,10 mm) .004" max (10-25) (0,15 mm) .006" max (30-50)

**Mates with:** TFML



Latching feature increases withdrawal force

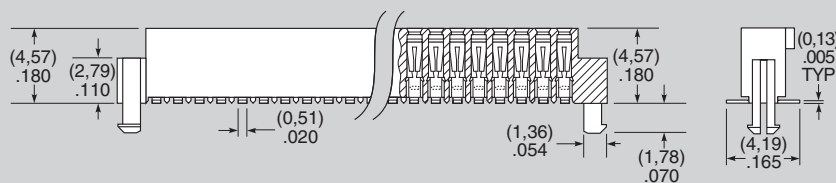
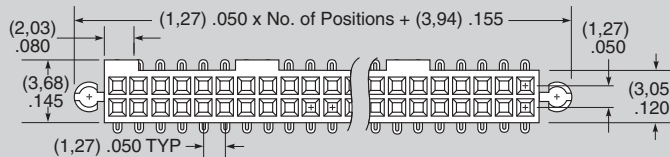
Polyimide film pick-and-place pad available



|                                     |          |   |   |  |          |   |
|-------------------------------------|----------|---|---|--|----------|---|
| <b>TYPE STRIP</b>                   | <b>1</b> | <b>NO. PINS PER ROW</b>                                       | <b>LEAD STYLE</b>                       | <b>PLATING OPTION</b>  | <b>D</b> | <b>OPTION</b>   |
| <b>SFMX</b><br>= Latching Flex Lock |          | <b>10, 15, 20, 25, 30, 35, 40, 45, 50</b><br>(Standard sizes) | <b>-T2</b><br>= Tiger Eye™ LITE Contact | <b>-S</b><br>= 30µ" (0,76 µm) Gold on contact, Matte Tin on tail |          | <b>-K</b><br>= (4,00 mm) .157" DIA Polyimide film Pick & Place Pad<br><br><b>-TR</b><br>= Tape & Reel |

**RECOGNITIONS**

For complete scope of recognitions see [www.samtec.com/quality](http://www.samtec.com/quality)



**Note:** Some sizes, styles and options are non-standard, non-returnable.

## X-ON Electronics

Largest Supplier of Electrical and Electronic Components

*Click to view similar products for [Headers & Wire Housings](#) category:*

*Click to view products by [Samtec](#) manufacturer:*

Other Similar products are found below :

[892-18-020-10-001101](#) [0010894062](#) [0010977306](#) [0015477636](#) [0015917161](#) [0022104068](#) [0022121042](#) [0022155065](#) [0022281023](#) [57102-F02-18ULF](#) [58102-G61-06LF](#) [582553-1](#) [0015911208](#) [01.001.5753.1](#) [0022285048](#) [0050291907](#) [02.125.8002.8](#) [CSU011177004](#) [622-0430](#) [622-3653LF](#) [63453-116](#) [636-1030](#) [636-1427](#) [636-3427](#) [636-4007](#) [641938-9](#) [65495-038](#) [65692-001LF](#) [65781-018](#) [65781-047](#) [65817-010LF](#) [65817-015LF](#) [67095-007LF](#) [67601157](#) [68631-112](#) [68645-018](#) [699319-000](#) [70.362.1628.0](#) [70-4210](#) [70-4226B](#) [70-4853B](#) [707-5028](#) [71.350.2428.0](#) [733-134](#) [733-162](#) [760-3052](#) [MHR-64-VUAL](#) [80.063.4001.1](#) [800-90-001-10-001000](#) [801-43-002-10-013000](#)