

DO NOT SCALE FROM THIS PRINT

DESIGNED & DIMENSIONED IN MILLIMETERS

ISS1-XX-X

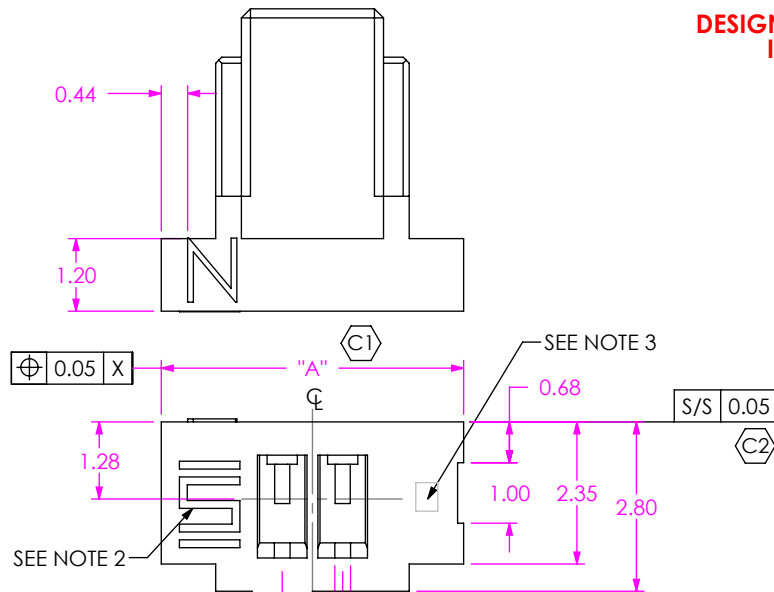
ROW SPECIFICATION  
-S: SINGLE ROW

OPTION  
\*-L: LATCH

No OF POSITIONS  
(PER ROW)

-02, -03, -04, -05, -06, -07, -08, -09,  
-10, -11, -12, -13, -14,  
-15, -16, -17, -18, -19 & -20

\* = NOT TOOLED



NOTES:

1. Ⓞ REPRESENTS A CRITICAL DIMENSION.
2. SAMTEC LOGO SHALL APPEAR AT TWO EQUALLY SPACED LOCATIONS ON SURFACE SHOWN, APPROXIMATELY 1.43 X 1.00.
3. ALL MULTIPLE CAVITY MOLDS SHALL IDENTIFY EACH CAVITY WITH A NUMBER DESIGNATION LOCATED WHERE SHOWN.
4. ALL IDENTIFICATION MARKS MUST NOT STAND GREATER THAN 0.05 OFF THE SURFACE OF THE PART.
5. MOLDED SURFACES SHALL BE CONSISTENT AND SMOOTH. SURFACES TO BE FREE OF SCRATCHES, NICKS, SINK AREAS, VOIDS OR OTHER BLEMISHES.
6. T/B BOW TO BE MEASURED ON BOTH SIDES OF PART IN THE AREA DEFINED.
7. GATE PAD TO BE RECESSED 0.10.

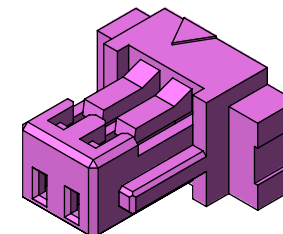
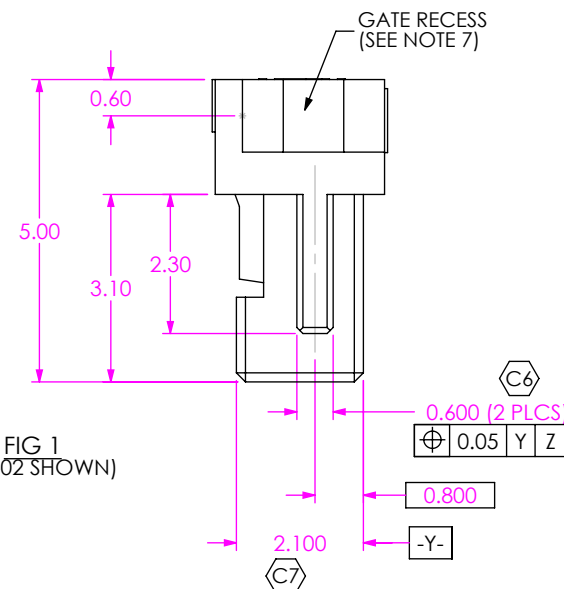
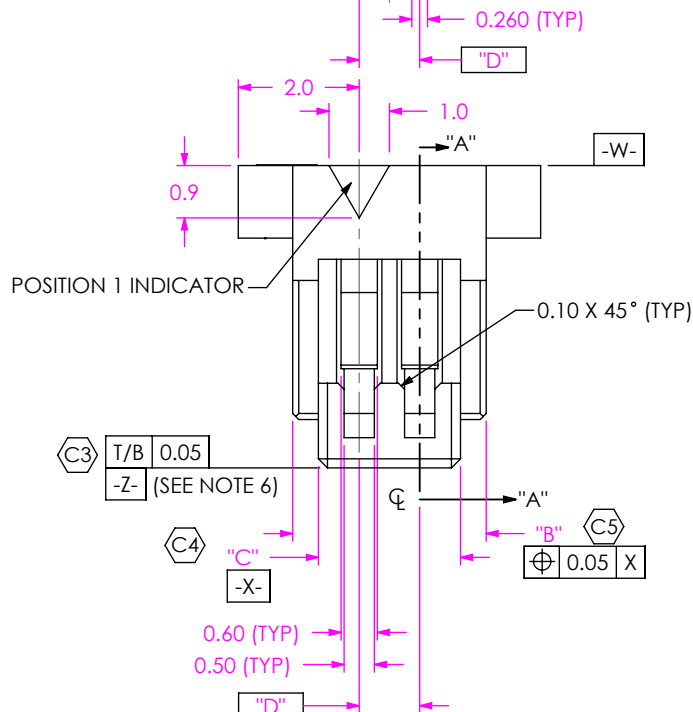


FIG 1  
(ISS1-02 SHOWN)

UNLESS OTHERWISE SPECIFIED, DIMENSIONS ARE IN MILLIMETERS.

TOLERANCES ARE:  
DECIMALS ANGLES  
X.X: ±0.3 2°  
X.XX: ±0.05  
X.XXX: ±0.025

PROPRIETARY NOTE

THIS DOCUMENT CONTAINS INFORMATION CONFIDENTIAL AND PROPRIETARY TO SAMTEC, INC. AND SHALL NOT BE REPRODUCED OR TRANSFERRED TO OTHER DOCUMENTS OR DISCLOSED TO OTHERS OR USED FOR ANY PURPOSE OTHER THAN THAT WHICH IT WAS OBTAINED WITHOUT THE EXPRESSED WRITTEN CONSENT OF SAMTEC, INC.



520 PARK EAST BLVD, NEW ALBANY, IN 47150  
PHONE: 812-944-6733 FAX: 812-948-5047  
e-Mail: info@SAMTEC.com code: 55322

MATERIAL: DO NOT SCALE DRAWING SHEET SCALE: 8:1  
DUPONT HTN FR52G30, COLOR: BLACK  
MAX REGRIND: 50%

MAX FLASH ALLOWED: 0.05  
MAX GATE VESTIGE: 0.05

c:\enterprise\ault\DWG\MISC\MKTG\ISS1-XX-X-MKT.SLDDRW

DESCRIPTION: 1.00 MM PITCH S1SX BODY

DWG. NO. ISS1-XX-X

BY: VICKY Z 04/15/2010 SHEET 1 OF 3

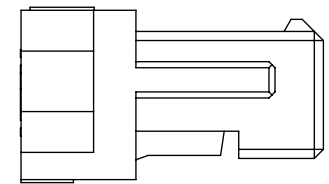
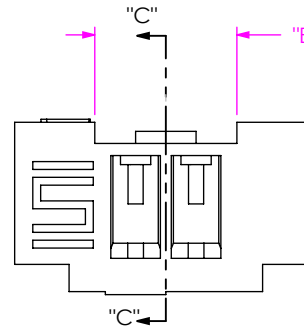
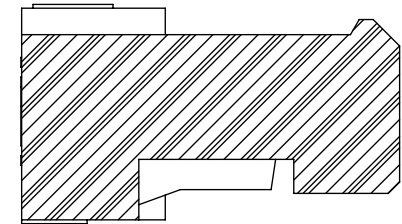
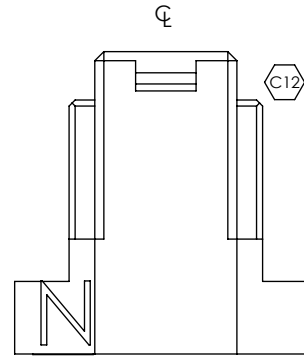
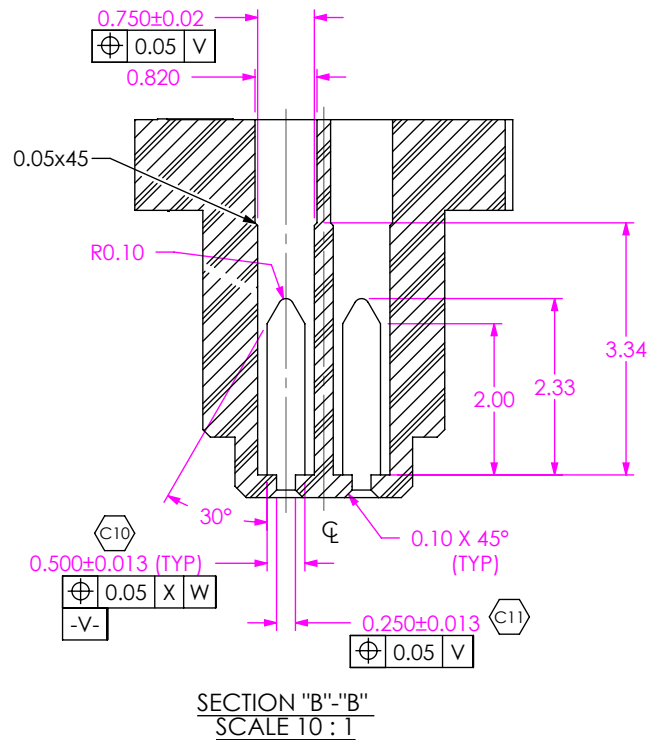
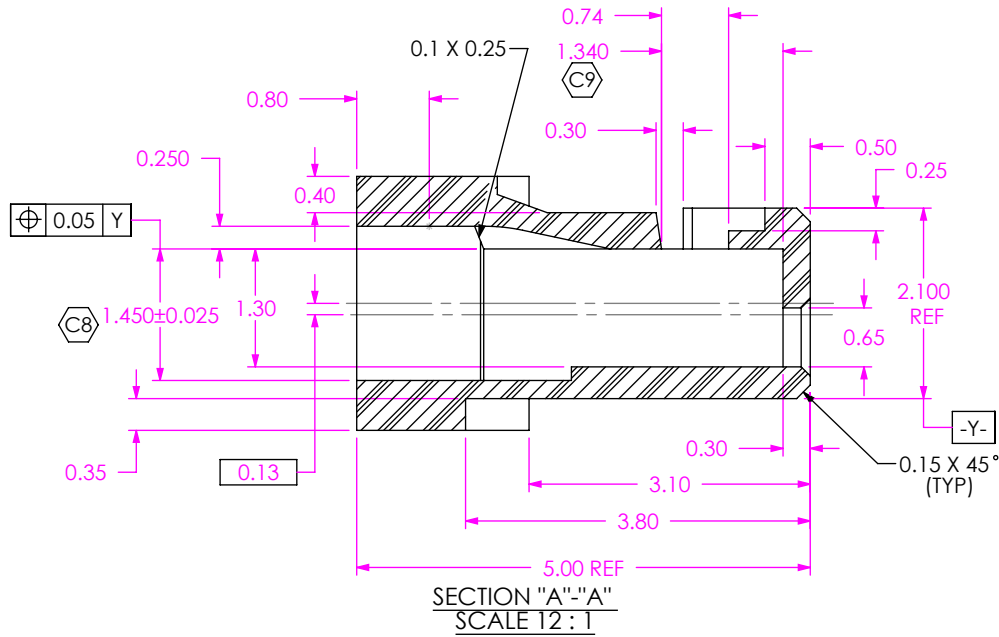


FIG 2  
(ISS1-02-L SHOWN)  
(SAME AS FIG 1, EXCEPT AS SHOWN)  
(NOT TOOLED)

PROPRIETARY NOTE  
THIS DOCUMENT CONTAINS INFORMATION  
CONFIDENTIAL AND PROPRIETARY TO  
SAMTEC, INC. AND SHALL NOT BE REPRODUCED  
OR TRANSFERRED TO OTHER DOCUMENTS OR  
DISCLOSED TO OTHERS OR USED FOR ANY  
PURPOSE OTHER THAN THAT WHICH IT WAS  
OBTAINED WITHOUT THE EXPRESSED WRITTEN  
CONSENT OF SAMTEC, INC.

DO NOT SCALE DRAWING

SHEET SCALE: 8:1

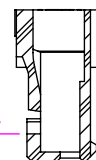
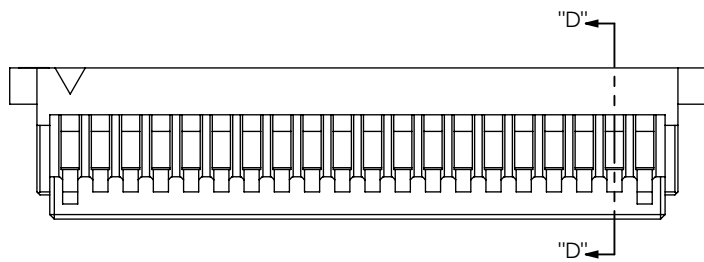
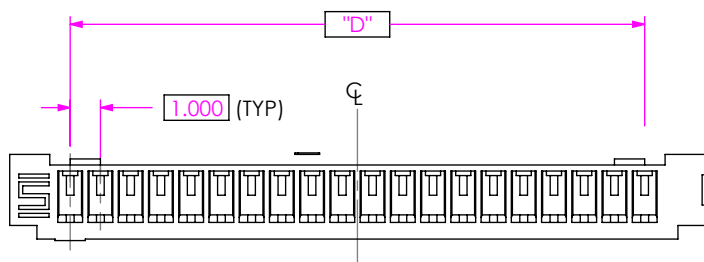
**samtec**

520 PARK EAST BLVD, NEW ALBANY, IN 47150  
PHONE: 812-944-6733 FAX: 812-948-5047  
e-Mail: info@SAMTEC.com code: 55322

DESCRIPTION:  
1.00 MM PITCH S1SX BODY

DWG. NO.  
ISS1-XX-X

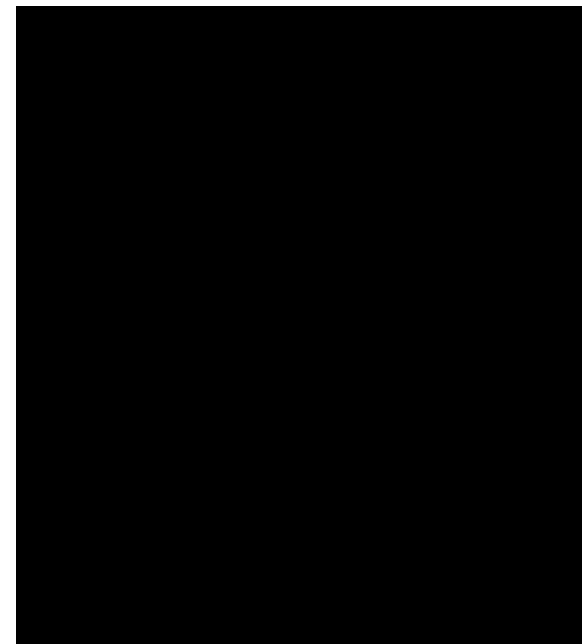
BY: VICKY Z 04/15/2010 SHEET 2 OF 3



0.90 (TYP)

SECTION "D"-"D"  
SCALE 4 : 1

FIG 3  
(ISS1-20-L SHOWN)  
(SAME AS FIG 1, EXCEPT AS SHOWN)  
(NOT TOOLED)



PROPRIETARY NOTE

THIS DOCUMENT CONTAINS INFORMATION CONFIDENTIAL AND PROPRIETARY TO SAMTEC, INC. AND SHALL NOT BE REPRODUCED OR TRANSFERRED TO OTHER DOCUMENTS OR DISCLOSED TO OTHERS OR USED FOR ANY PURPOSE OTHER THAN THAT WHICH IT WAS OBTAINED WITHOUT THE EXPRESSED WRITTEN CONSENT OF SAMTEC, INC.

DO NOT SCALE DRAWING

SHEET SCALE: 8:1



520 PARK EAST BLVD, NEW ALBANY, IN 47150  
PHONE: 812-944-6733 FAX: 812-948-5047  
e-Mail: info@SAMTEC.com code: 55322

DESCRIPTION:  
1.00 MM PITCH S1SX BODY

DWG. NO.  
ISS1-XX-X

BY: VICKY Z 04/15/2010 SHEET 3 OF 3

## X-ON Electronics

Largest Supplier of Electrical and Electronic Components

*Click to view similar products for [Headers & Wire Housings](#) category:*

*Click to view products by [Samtec](#) manufacturer:*

Other Similar products are found below :

[892-18-020-10-001101](#) [58102-G61-06LF](#) [582553-1](#) [0009485154](#) [009176003701906](#) [0050291907](#) [LY20-4P-DT1-P1E-BR](#) [02.125.8002.8](#)  
[609-3404](#) [61062-3](#) [61082-181009](#) [622-3653LF](#) [63453-116](#) [636-1030](#) [636-1427](#) [636-3427](#) [636-4007](#) [641938-9](#) [641991-4](#) [644827-2](#) [65817-](#)  
[010LF](#) [65817-015LF](#) [65863-015LF](#) [66207-023LF](#) [67095-007LF](#) [67601157](#) [68645-018](#) [68648-049](#) [70.362.1628.0](#) [70-4210](#) [70-4226B](#) [70-](#)  
[4853B](#) [707-5020](#) [707-5028](#) [71.350.2428.0](#) [71918-208LF](#) [71961-016LF](#) [733-134](#) [733-162](#) [754199-000](#) [760-3052](#) [79531-3000](#) [FCN-](#)  
[360C032-B](#) [FCN-367T-T012/H](#) [FCN-723D010/2](#) [80.063.4001.1](#) [800-90-010-10-002000](#) [801-43-002-10-013000](#) [801-43-006-10-002000](#)  
[801-93-011-10-001000](#)