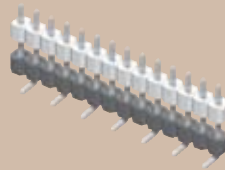




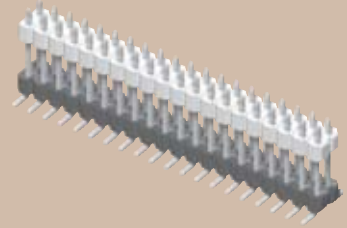
(2,54mm) .100"

HW SERIES

HW-14-08-G-S-350-SM



HW-20-15-G-D-475-SM



FLEXIBLE .025" SQ BOARD STACKERS

Mates with:
SSW, SSQ, ESW, ESQ,
CES, SLW, BSW, BCS,
SSM, IDSS, IDSD, HLE,
PHF, SMSD, SMSS

SPECIFICATIONS

For complete specifications and recommended PCB layouts see www.samtec.com?HW-SM

Insulator Material:

Top: Natural LCP

Bottom: Black LCP

Terminal Material:

Phosphor Bronze

Plating:

Au or Sn over

50µ" (1,27µm) Ni

Current Rating:

3A @ 80°C ambient

Operating Temp Range:

-55°C to +125°C with Gold

-55°C to +105°C with Tin

RoHS Compliant:

Yes

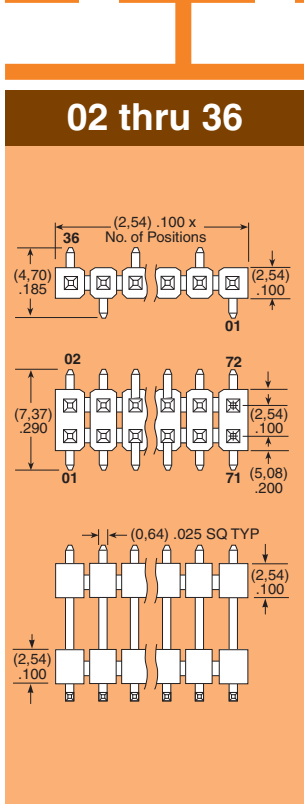
Processing:

Lead-Free Solderable:

Yes

SMT Lead Coplanarity:

(0,15mm) .006" max



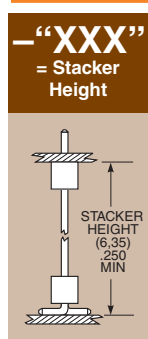
Specify LEAD STYLE from chart

LEAD STYLE	OAL (SMT)
-08	(11,81) .465
-09	(16,89) .665
-10	(19,43) .765
-11	(21,97) .865
-12	(24,51) .965
-15	(14,35) .565
-16	(9,65) .380
-17	(10,54) .415
-20	(27,05) 1.065

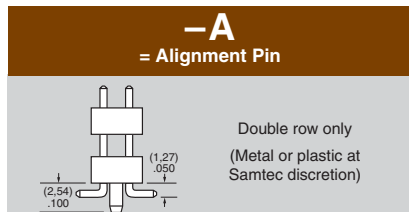
APPLICATION SPECIFIC OPTION

Locking Clip (Manual placement required) available with double row -SM. Call Samtec.

Note: These Series are non-standard, non-returnable.



- "XX" = Polarized
Specify omitted pin position



-TR = Tape & Reel Packaging (27 positions Max.)
(Not Available on Lead Styles 10, 11, 12 & 20)

-F = Gold flash on contact, Matte Tin on tail

-L = 10µ" (0,25µm) Gold on contact area of longer tail, Matte Tin on tail

-G = 10µ" (0,25µm) Gold on contact area of longer tail, Gold flash on balance

-T = Matte Tin

Note: Other Gold plating options available. Contact Samtec.

Due to technical progress, all designs, specifications and components are subject to change without notice.

X-ON Electronics

Largest Supplier of Electrical and Electronic Components

Click to view similar products for [Headers & Wire Housings](#) category:

Click to view products by [Samtec](#) manufacturer:

Other Similar products are found below :

[95000-104TRLF](#) [10135584-644402LF](#) [DF62W-EP2022PCA](#) [95000-106TRLF](#) [DF62W-2022SCA](#) [DF62W-EP2022PC](#) [2203348](#) [DF62W-2022SC](#) [1084018](#) [1029039](#) [1084017](#) [802-10-012-10-002000](#) [1112640](#) [1112639](#) [000-34000](#) [0009482033](#) [0009507031](#) [57102-S06-03LF](#) [57202-S52-04LF](#) [PCN6-15S-2.5E](#) [0039019024](#) [58102-G61-06LF](#) [582553-1](#) [0009485154](#) [0009508121](#) [0022285053](#) [0050291907](#) [018731A](#) [LY20-4P-DT1-P1E-BR](#) [02.125.8002.8](#) [60101931](#) [60598-1 \(Cut Strip\)](#) [M1625-3R/100](#) [61062-3](#) [61082-181009](#) [636-1427](#) [638009-1](#) [641938-9](#) [641991-4](#) [644168-1](#) [647662-1](#) [65039-019ELF](#) [65817-002LF](#) [65817-015LF](#) [65863-015LF](#) [66207-023LF](#) [67016-026LF](#) [67046-001LF](#) [67095-007LF](#) [67230-005LF](#)