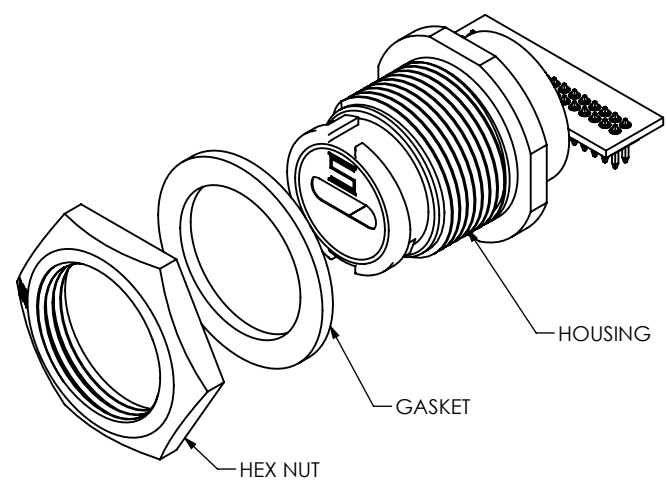


DO NOT SCALE FROM THIS PRINT



**BRU-C-X-XX-P**

TYPE  
-C: TYPE C RECEPTACLE

STYLE  
-P: PLASTIC

PLATING  
-S: 30µ" GOLD (AT USB-C CONTACT AREA)

LEAD STYLE  
-VT: VERTICAL  
-RA: RIGHT ANGLE

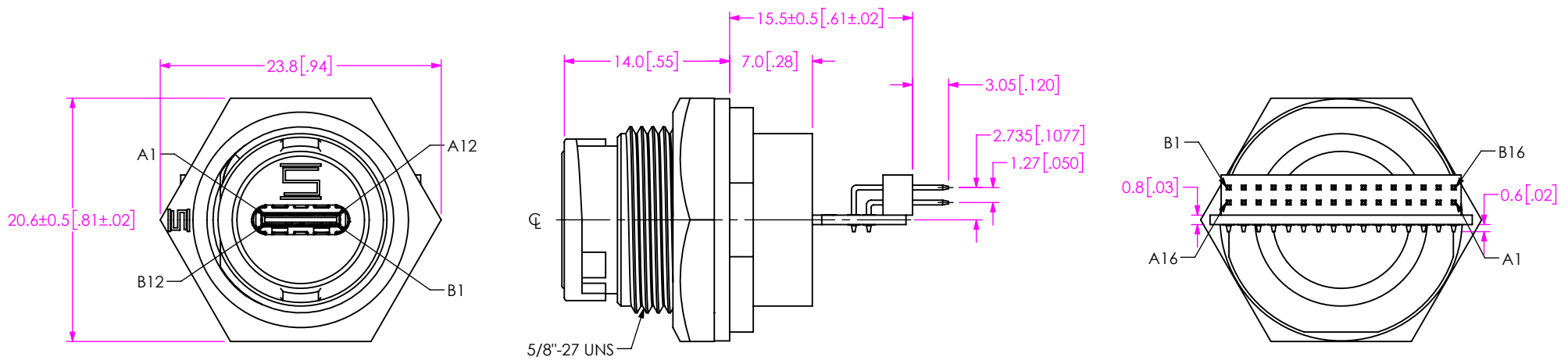
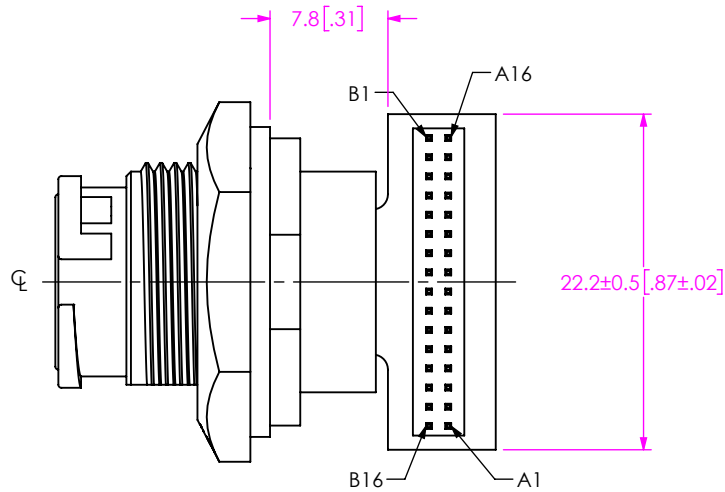
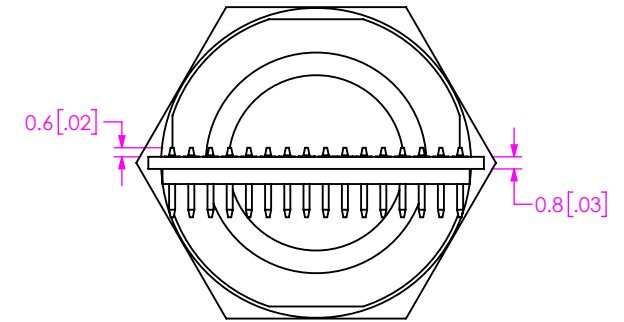
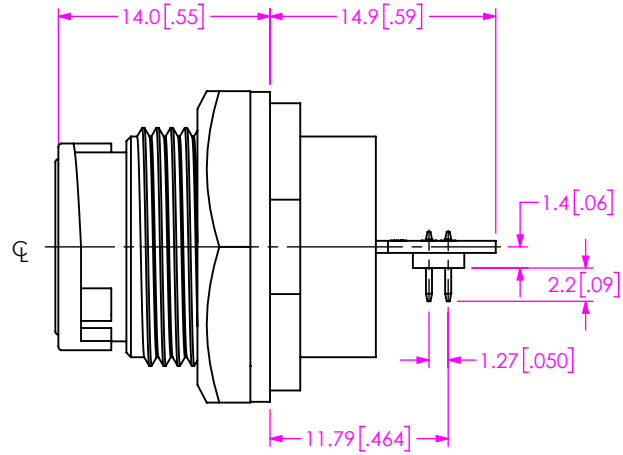
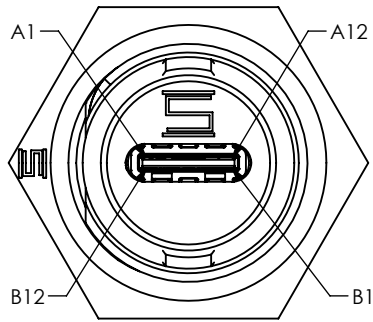


FIG 1  
BRU-C-X-VT-P SHOWN


NOTES:

1. RECOMMEND PANEL THICKNESS: 0.8[.03] TO 3.0[.12].
2. RECOMMEND TORQUE: 9-10 KGF-CM.
3. MATING DUST CAP P/N: DCA-BRU-C-01.
4. MATING USB C CABLE: BCU-C-X-X.XX-XX-P.
5. PARTS TO BE PACKAGED IN TRAY.

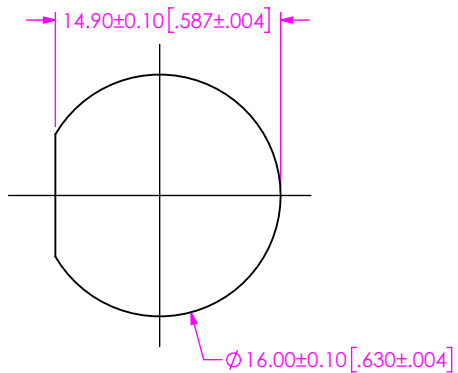
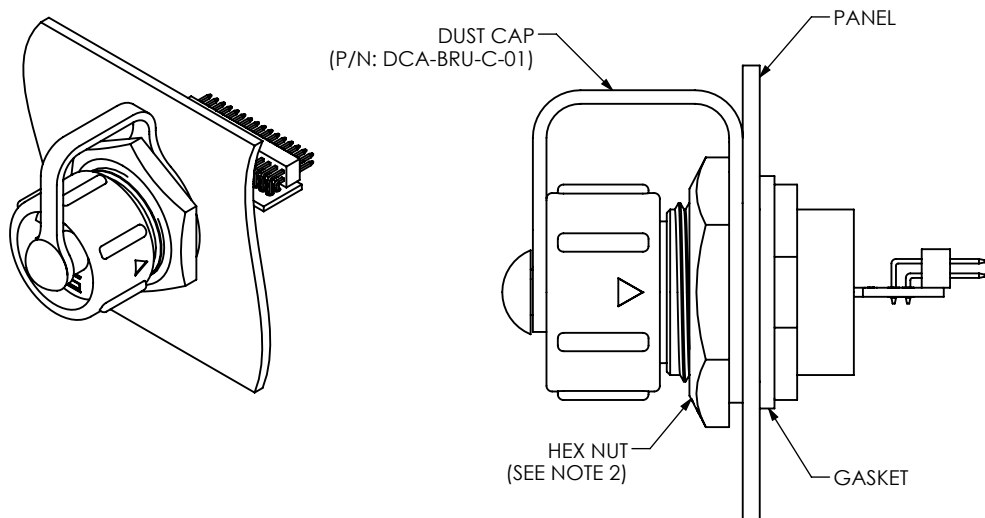
<p><b>PROPRIETARY NOTE</b></p> <p>THIS DOCUMENT CONTAINS CONFIDENTIAL AND PROPRIETARY INFORMATION AND ALL DESIGN, MANUFACTURING, REPRODUCTION, USE, PATENT RIGHTS AND SALES RIGHTS ARE EXPRESSLY RESERVED BY SAMTEC, INC. THIS DOCUMENT SHALL NOT BE DISCLOSED, IN WHOLE OR PART, TO ANY UNAUTHORIZED PERSON OR ENTITY NOR REPRODUCED, TRANSFERRED OR INCORPORATED IN ANY OTHER PROJECT IN ANY MANNER WITHOUT THE EXPRESS WRITTEN CONSENT OF SAMTEC, INC.</p>		<p><b>samtec</b></p> <p>520 PARK EAST BLVD, NEW ALBANY, IN 47150 PHONE: 812-944-6733 FAX: 812-948-5047 e-Mail info@SAMTEC.com code 55322</p>	
<p>DO NOT SCALE DRAWING SHEET SCALE: 2:1</p> <p>MATERIAL: HOUSING: THERMOPLASTIC, COLOR: BLACK GASKET: SILICONE, COLOR: BLACK HEX NUT: THERMOPLASTIC, COLOR: BLACK HOLD: SILICONE, COLOR: BLACK GLUE: EPOXY, COLOR: BLACK CONTACT: COPPER ALLOY PIN HEADER: 1U" GOLD</p>		<p>DESCRIPTION: <b>USB-C PANEL MOUNT CONNECTOR</b></p>	
<p>DWG. NO. <b>BRU-C-X-XX-P</b></p>		<p>BY: JACK Z 2/21/2022 SHEET 1 OF 3</p>	



**FIG 2**  
 BRU-C-X-RA-P SHOWN  
 (DIFFERENT AS SHOWN, OTHERWISE SAME AS FIG 1)

<p><b>PROPRIETARY NOTE</b></p> <p>THIS DOCUMENT CONTAINS CONFIDENTIAL AND PROPRIETARY INFORMATION AND ALL DESIGN, MANUFACTURING, REPRODUCTION, USE, PATENT RIGHTS AND SALES RIGHTS ARE EXPRESSLY RESERVED BY SAMTEC, INC. THIS DOCUMENT SHALL NOT BE DISCLOSED, IN WHOLE OR PART, TO ANY UNAUTHORIZED PERSON OR ENTITY NOR REPRODUCED, TRANSFERRED OR INCORPORATED IN ANY OTHER PROJECT IN ANY MANNER WITHOUT THE EXPRESS WRITTEN CONSENT OF SAMTEC, INC.</p>	 <p>520 PARK EAST BLVD, NEW ALBANY, IN 47150          PHONE: 812-944-6733 FAX: 812-948-5047          e-Mail info@SAMTEC.com code 55322</p>
<p>DO NOT SCALE DRAWING SHEET SCALE: 2:1</p> <p><b>MATERIAL</b>          HOUSING: THERMOPLASTIC, COLOR: BLACK          GASKET: SILICONE, COLOR: BLACK          HEX NUT: THERMOPLASTIC, COLOR: BLACK          HOLD: SILICONE, COLOR: BLACK          GLUE: EPOXY, COLOR: BLACK          CONTACT: COPPER ALLOY          PIN HEADER: 1J<sup>+</sup> GOLD</p>	<p>DESCRIPTION: USB-C PANEL MOUNT CONNECTOR</p> <p>DWG. NO. BRU-C-X-XX-P</p> <p>BY: JACK Z 2/21/2022 SHEET 2 OF 3</p>

APPLICATION VIEW



RECOMMENDED PANEL CUT-OUT

PIN OUT TABLE			
USB-C		PIN HEADER	
POS	NAME	POS	NAME
A1	GND	A1	GND
A2	TX1+	A2	RX1+
A3	TX1-	A3	RX1-
A4	+V	A4	GND
A5	CC1	A5	TX1+
A6	D1+	A6	TX1-
A7	D1-	A7	GND
A8	SBU1	A8	D1+
A9	+V	A9	D1-
A10	RX2-	A10	GND
A11	RX2+	A11	RX2-
A12	GND	A12	RX2+
B12	GND	A13	GND
B11	RX1+	A14	TX2-
B10	RX1-	A15	TX2+
B9	+V	A16	GND
B8	SBU2	B1	+V
B7	D2-	B2	+V
B6	D2+	B3	NC
B5	CC2	B4	+V
B4	+V	B5	+V
B3	TX2-	B6	CC2
B2	TX2+	B7	SBU1
B1	GND	B8	D2+
		B9	D2-
		B10	SBU2
		B11	CC1
		B12	+V
		B13	+V
		B14	NC
		B15	+V
		B16	+V

**PROPRIETARY NOTE**  
 THIS DOCUMENT CONTAINS CONFIDENTIAL AND PROPRIETARY INFORMATION AND ALL DESIGN, MANUFACTURING, REPRODUCTION, USE, PATENT RIGHTS AND SALES RIGHTS ARE EXPRESSLY RESERVED BY SAMTEC, INC. THIS DOCUMENT SHALL NOT BE DISCLOSED, IN WHOLE OR PART, TO ANY UNAUTHORIZED PERSON OR ENTITY NOR REPRODUCED, TRANSFERRED OR INCORPORATED IN ANY OTHER PROJECT IN ANY MANNER WITHOUT THE EXPRESS WRITTEN CONSENT OF SAMTEC, INC.

SHEET SCALE: 2:1  
 DO NOT SCALE DRAWING



520 PARK EAST BLVD, NEW ALBANY, IN 47150  
 PHONE: 812-944-6733 FAX: 812-948-5047  
 e-Mail: info@SAMTEC.com code 5332

DESCRIPTION: USB-C PANEL MOUNT CONNECTOR

DWG. NO. BRU-C-X-XX-P

BY: JACK Z 2/21/2022 SHEET 3 OF 3

## X-ON Electronics

Largest Supplier of Electrical and Electronic Components

*Click to view similar products for [USB Connectors](#) category:*

*Click to view products by [Samtec](#) manufacturer:*

Other Similar products are found below :

[950 A-USB A-LP-SMT-C](#) [A-USB B-TOP-C](#) [MUSBD11135](#) [217450-1](#) [KMBVX-TH-5S-B30](#) [KUSBX-AS2N-W](#) [KUSBX-SMT2AP1S-B30](#)  
[KUSBX-SMT2AP1S-W30](#) [935](#) [30-498-6](#) [SK-60A-2](#) [30-489](#) [A-USB A-2P-C](#) [MIKROE-1451](#) [1-1734084-2](#) [E8110-001-01](#) [MUSBA81130](#)  
[10135326-001LF](#) [USB3FTV7APEG](#) [4198](#) [17-200011](#) [1040870124](#) [2274475-3](#) [914-614A2025S10200](#) [MUSBR-AHD2-M41-SK](#)  
[GSB3116344HR](#) [GSB343K331HR](#) [USB3FTV2SAZNF459](#) [USBF21GSCC](#) [U221-041N-1WVS62-F5D](#) [HYCW153-USBD05-500B](#)  
[HYCW219-USBD05-075B](#) [HYCW148-USBD05-117B](#) [HYCW149-USBD05-740B](#) [HYCW204-USBD05-108B](#) [HYCW214-USBA04-113B](#)  
[HYCW213-USBA04-113B](#) [KMMX-BSMT35S-1-B30TR](#) [GT-2A001F-CGNG1](#) [GT-USB-7010ES01](#) [GT-USB-7010i](#) [HC-ST-003-07-J](#) [918-](#)  
[418K2022Y40028](#) [920-462A2021Y10104](#) [AF 90° WJDG ZB](#) [TYPE-C 6P LCH10.5](#) [MICRO 7.2ZB5.0](#) [AM 180°](#) [MINI 5PTP-GZ](#)