



SERIES: TB004-750 | **DESCRIPTION:** TERMINAL BLOCK

FEATURES

- 2~24 poles
- horizontal with board
- interlocking (side)
- 7.50 mm pitch
- UL and CE safety approvals



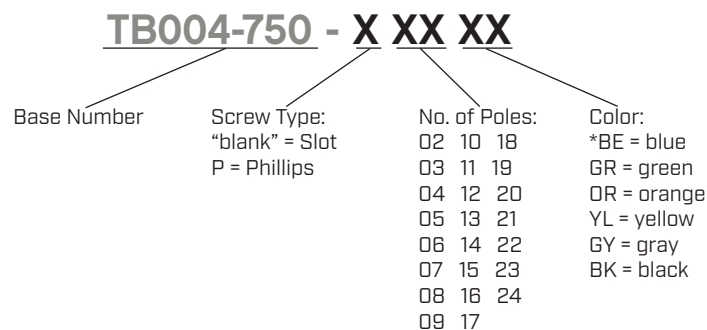
SPECIFICATIONS

parameter	conditions/description	min	typ	max	units
rated voltage (per contact)	UL			300	V
	IEC			450	V
rated current (per contact)	UL			16	A
	IEC			18	A
withstanding voltage			2500		Vac
surge voltage				4000	V
contact resistance				20	mΩ
insulation resistance	at 500 Vdc	500			MΩ
operating temperature		-40		105	°C
safety approvals	UL 1059, EN 60998-1:2004, EN 60998-2-1:2004				
flammability rating	UL94V-0				
RoHS	yes				

SOLDERABILITY

parameter	conditions/description	min	typ	max	units
hand soldering	for maximum 10 seconds	345	350	355	°C
wave soldering	for maximum 5 seconds	255	260	265	°C

PART NUMBER KEY

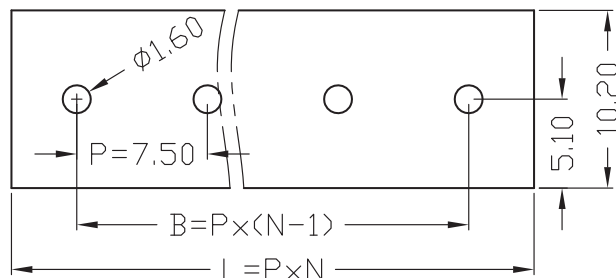
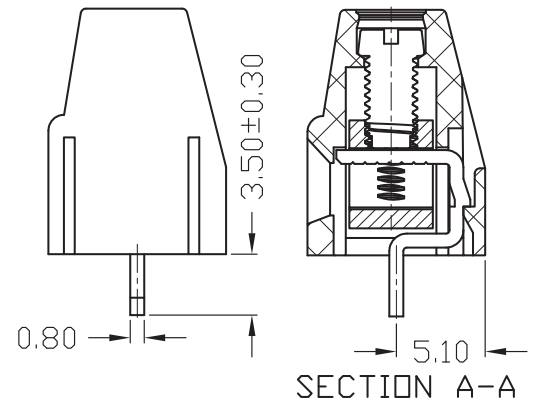
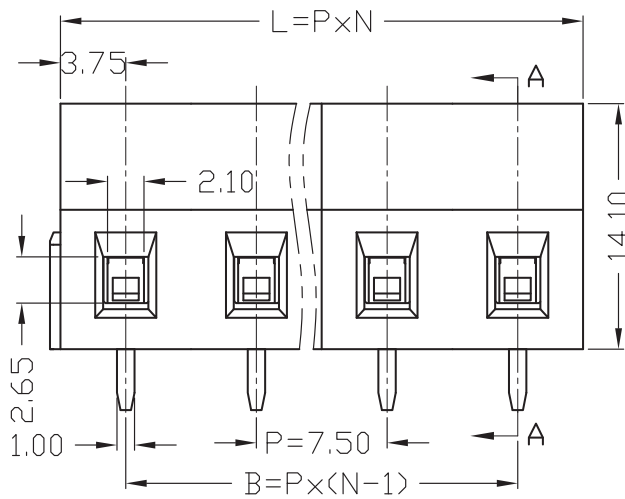
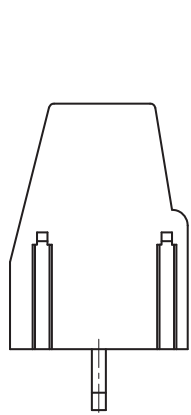
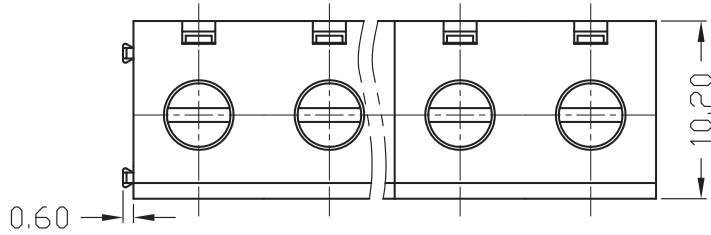


*Standard housing color is blue. All other colors are subject to higher MOQ. Please inquire with Same Sky sales for details.

MECHANICAL DRAWING

units: mm
 tolerance (per module):
 $X \leq 6.00$: ± 0.25 mm
 $6.00 < X \leq 30.00$: ± 0.40 mm
 unless otherwise noted

DESCRIPTION	MATERIAL	PLATING/COLOR
housing	PA66 [UL94V-0]	
contacts	brass	tin
screws	steel	zinc
block	brass	nickel



Recommended PCB Layout
Top View

WIRE ASSEMBLY		
	UL	IEC
Wire Range	24~12 AWG	0.5~ 2.5 mm ²
Strip Length	7 mm	
Screw Size	M3	
Screw Torque	0.5 N·m	

This series can be constructed of 2 and 3 pole modules where L is the total length, P is the pitch, and N is the number of poles.

N	02	03	04	05	06	07	08	09	10	11	12	13
L	15.00	22.50	30.00	37.50	45.00	52.50	60.00	67.50	75.00	82.50	90.00	97.50
B	7.50	15.00	22.50	30.00	37.50	45.00	52.50	60.00	67.50	75.00	82.50	90.00
N	14	15	16	17	18	19	20	21	22	23	24	--
L	105.00	112.50	120.00	127.50	135.00	142.50	150.00	157.50	165.00	172.50	180.00	--
B	97.50	105.00	112.50	120.00	127.50	135.00	142.50	150.00	157.50	165.00	172.50	--

REVISION HISTORY

rev.	description	date
1.0	initial release	11/12/2024

The revision history provided is for informational purposes only and is believed to be accurate.



Same Sky offers a one (1) year limited warranty. Complete warranty information is listed on our website.

Same Sky reserves the right to make changes to the product at any time without notice. Information provided by Same Sky is believed to be accurate and reliable. However, no responsibility is assumed by Same Sky for its use, nor for any infringements of patents or other rights of third parties which may result from its use.

Same Sky products are not authorized or warranted for use as critical components in equipment that requires an extremely high level of reliability. A critical component is any component of a life support device or system whose failure to perform can be reasonably expected to cause the failure of the life support device or system, or to affect its safety or effectiveness.

[sameskydevices.com](https://www.sameskydevices.com)

X-ON Electronics

Largest Supplier of Electrical and Electronic Components

Click to view similar products for [Fixed Terminal Blocks](#) category:

Click to view products by [Same Sky](#) manufacturer:

Other Similar products are found below :

[MBE-156](#) [739-103](#) [MH-2512](#) [MHE-163](#) [MI-272](#) [978-T-DS/03](#) [MPT-275](#) [ELM10110G](#) [MV-254-D](#) [MV-255](#) [MVE-253](#) [MVEB-153](#)
[1705142](#) [930-T/02](#) [S451](#) [282802-2](#) [960-T-DS/02](#) [29.116](#) [30.252](#) [30.503](#) [30.853](#) [1710052](#) [20020316-G071B01LF](#) [20020327-C061B01LF](#)
[29590](#) [30.754](#) [37.206](#) [37.208](#) [37.507](#) [37.659](#) [38331-5812](#) [38540-1910](#) [MBE-1517](#) [431202041801](#) [35.402](#) [4524](#) [0395933004](#) [0398800512](#)
[0709880](#) [0708289](#) [ELM031200](#) [ELM05910G](#) [SCM043100](#) [SCM049100](#) [MV-256](#) [MV-272](#) [MVSP-253](#) [VI0301520600G](#) [5231-0-00-15-00-](#)
[00-38-0](#) [1989515](#)