



# PUI audio



Data Sheet

AR03032MR-2

## Features:

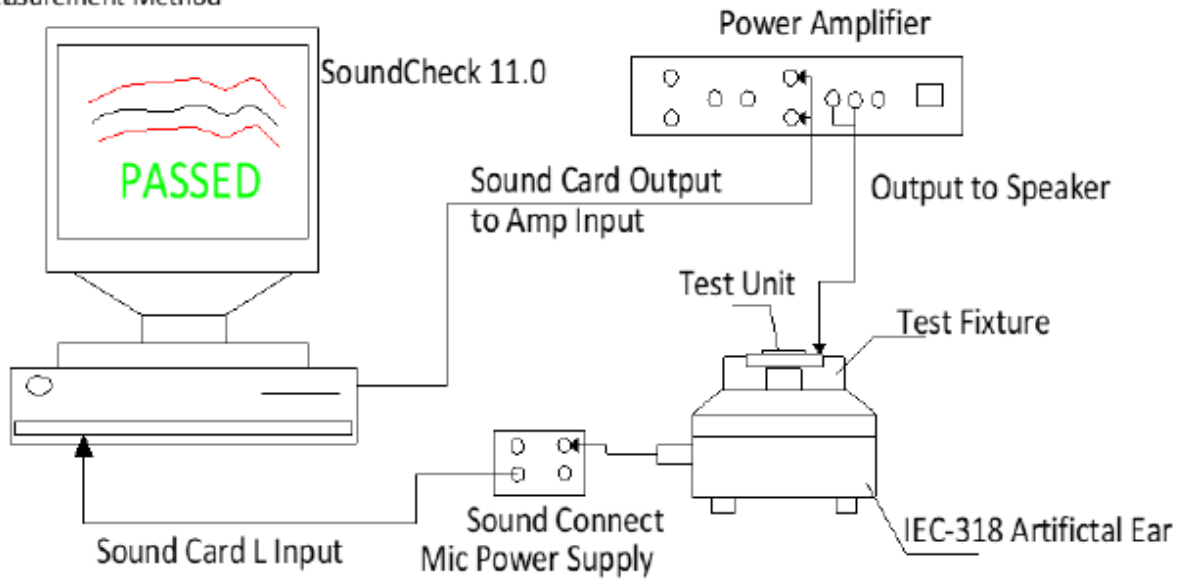
- Low 130 Hz resonant frequency
- High 129 dB output with 800mV in Artificial Ear (1cm)
- High 25mW max input power

## Specifications

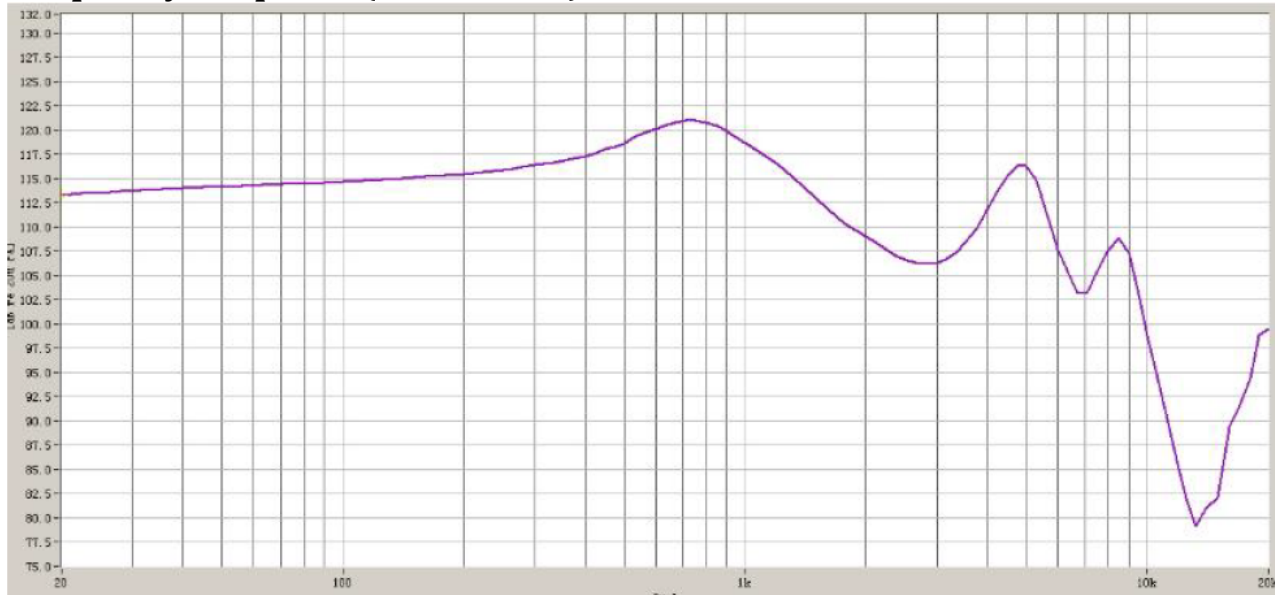
| Parameters                          | Values   | Units   |
|-------------------------------------|--|---------|
| Rated Input Power                   | 15   | mWatts  |
| Max Input Power                     | 25   | mWatts  |
| Impedance                           | $32 \pm 15\%$  | Ohms    |
| Sensitivity (SPL @ 1kHz, 1mV)       | $129 \pm 3$  | dB Pa/V |
| Resonant Frequency                  | $130 \pm 20\%$   | Hz      |
| Frequency Range                     | 20 ~ 20,000  | Hz      |
| Distortion (@ 50 ~ 3000 Hz/<br>3mW) | 5% Max   | -       |
| Frame Material                      | Plastic  | -       |
| Magnet Material                     | NdFeB  | -       |
| Diaphragm Material                  | PET  | -       |
| Weight                              | 2  | Grams   |
| Environmental Compliances           | ROHS/REACH   | -       |
| Buzz, Rattle, etc.                  | Should not be audible with 693<br>mV sine wave from 50 Hz to 4<br>kHz                            | -       |
| Polarity                            | When positive voltage is applied<br>to the positive terminal, the<br>diaphragm will move outward | -       |
| Operating Temperature               | -20 ~ +60  | °C      |
| Storage Temperature                 | -20 ~ +60  | °C      |

## Measurement Method (measured with 1mV, Temperature: 25 ~ 35°C, Relative Humidity: 25%~75%)

### 1. Measurement Method



## Frequency Response (measured at 1mV)

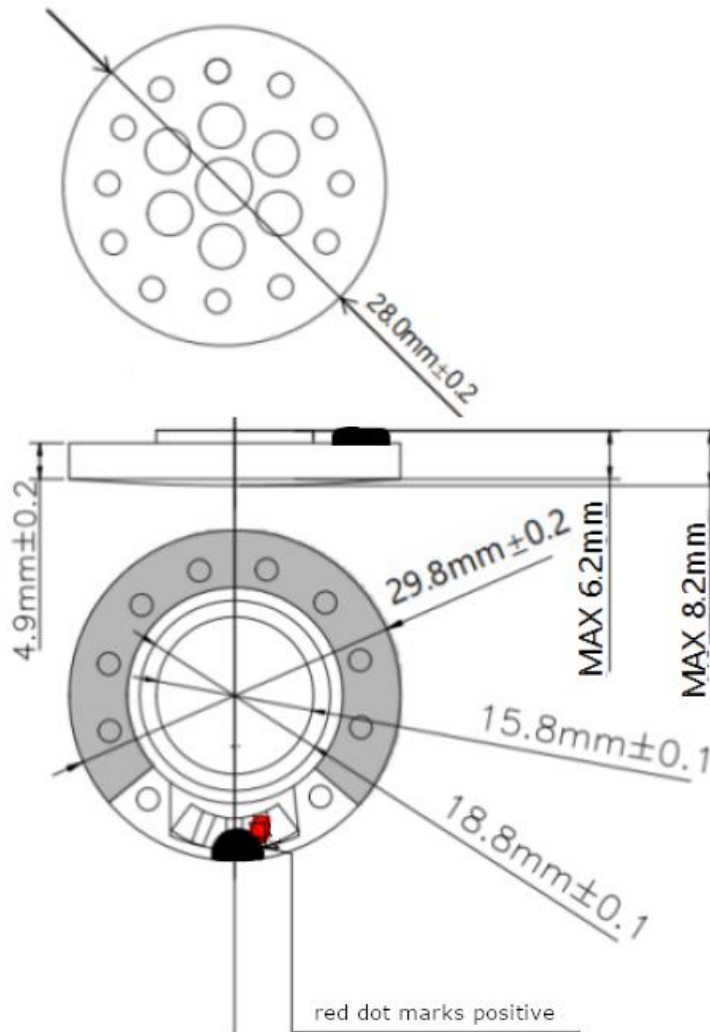


## Reliability Testing

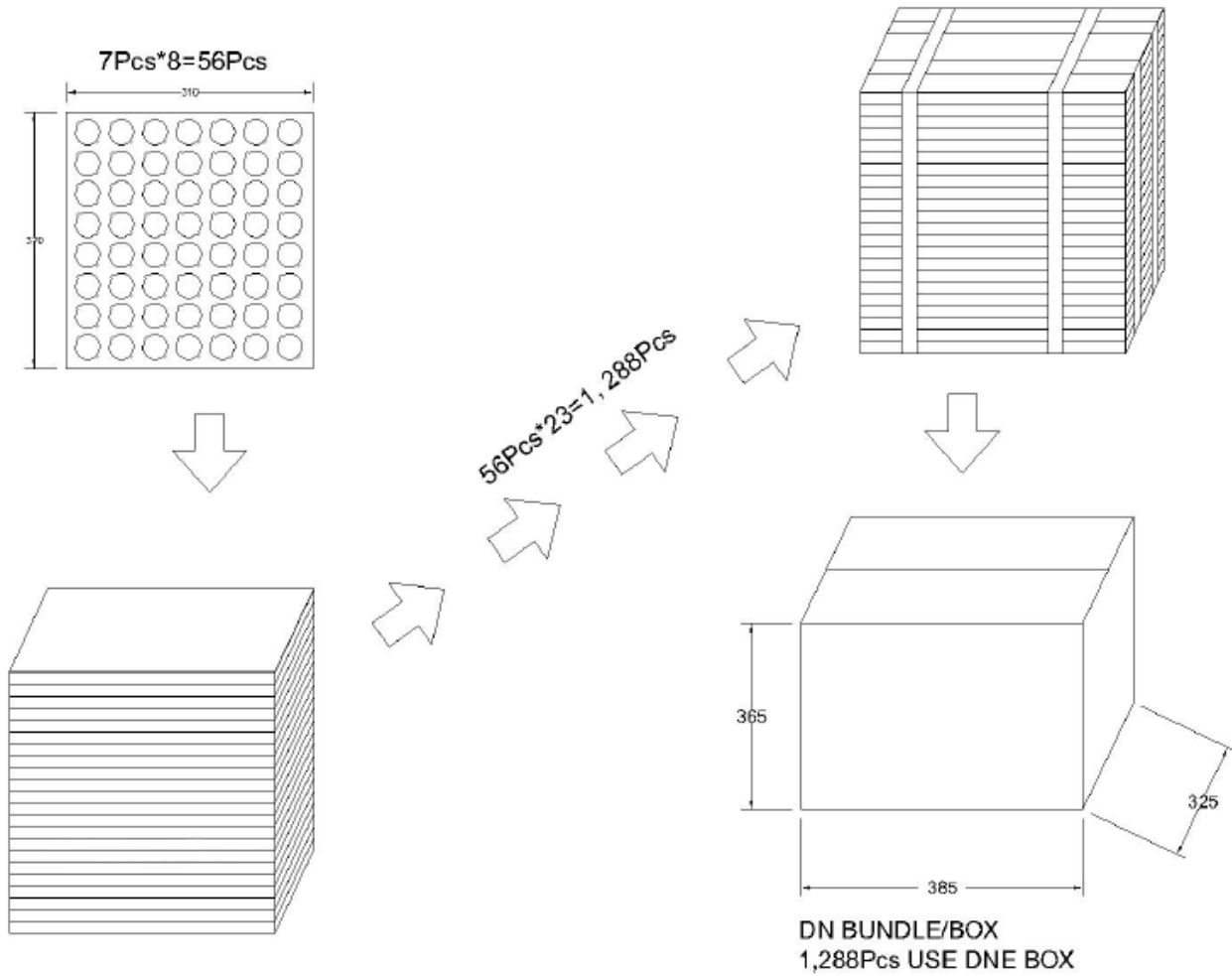
| Type of Test              | Test Specifications  |
|---------------------------|--|
| High Temperature Test     | 48 hours at +60°C ± 2°C  |
| Low Temperature Test      | 48 hours at -20°C ± 2°C  |
| Humidity Test             | 24 hours at +50°C ± 2°C with relative humidity at 90~95% relative humidity   |
| Temperature Cycle Testing | The part shall be subjected to 15 cycles. One cycle shall be 2 hours and consist of:<br>50°C+1°C/0.5h→20°C/0.5h→-20°C/0.5h→20°C/0.5h |
| Vibration Test            | Frequency 15~55 Hz, Amplitude 1.5 mm for 2 hours   |
| Drop Test                 | 100 cm free fall on concrete floor, 10 times   |

After each test, the speaker's SPL shall be ±4 dB of the original SPL after 1 hour of recovery.

## Dimensions



## Packaging



### Specifications Revisions

| Revision | Description               | Date      | Approved |
|----------|---------------------------|-----------|----------|
| A        | Released from Engineering | 3/21/2025 | JD       |
| B        | Revised Drawing           | 6/13/2025 | JD       |

Note:

1. Unless otherwise specified:
  - A. All dimensions are in millimeters.
  - B. Default tolerances are  $\pm 0.5\text{mm}$  and angles are  $\pm 3^\circ$ .
2. Specifications subject to change or withdrawal without notice.

## X-ON Electronics

Largest Supplier of Electrical and Electronic Components

*Click to view similar products for [Speakers & Transducers](#) category:*

*Click to view products by [PUI Audio](#) manufacturer:*

Other Similar products are found below :

[FC-30814-P127](#) [PB-1220PE](#) [AB1541B-LW50-R](#) [AB2025B-LW50-R](#) [PT-2065FW](#) [PT-4175W](#) [FS3020MS0820-H4.7](#) [FS2515NS0810-H5.5](#)  
[FS7040DS0450-H16.8](#) [FS7033NB0830-H15.5-R01](#) [FS3516NS0820-H6.5-R01](#) [GSPK25042PN-8R1.0W-L100](#) [FS66W04100-H31](#)  
[FS32NS0820-H5.8-R01](#) [FS2112NB0807-H7.0-R01](#) [FS3520NS0820-H7.9-P1.25-L60](#) [FS50DS0430-H13.3-R24](#) [FS3411P08-H4.0](#)  
[FS26NS0820-H4.9-R01](#) [FS14430NB0880-H30-R01](#) [FS5835DS0850-H19.4-R01](#) [FS2011NB0807-H3.9-R01](#) [FS28DS0820-H9.4-R01](#)  
[FS66W0830-H27](#) [FS102W0480-H35](#) [FS3525NS0820-H5.5-R01](#) [FS3514NB0808-H6.0-R01](#) [FS40DS0450-H18.3](#) [FS102W04200-H40](#)  
[FS3411P04-H4.0](#) [FS50DS0830-H12.7 PEI](#) [FS3020NB0805-H4.1-R01](#) [FS4020NB0410-H6.6-R01](#) [FS4020NB0820-H8.5-R01](#) [FS50DS0830-](#)  
[H13.3-R24](#) [FS87W08100-H34](#) [FS87W16120-H32](#) [FS9050W0850-H38.5](#) [FS2015NB0808-H8.0-R01](#) [FS2217NB0810-H8-R01](#)  
[FS7040DS0850-H16.8](#) [FS77W04150-H41](#) [FS102W08200-H41](#) [FS50MS0820-H7.5-P2.54-L350](#) [FS40MS0820-H5.0-P2.54-L160](#)  
[FS102W04100-H37.5](#) [FS10843NB0850-H33-R01](#) [FS20NS0820-H5.5-R01](#) [FS3020MS0820-H4.7-P2.0-L150](#) [FS9050W08100-H38.5](#)