



PUI audio



Data Sheet

AR01032MR-4

Features:

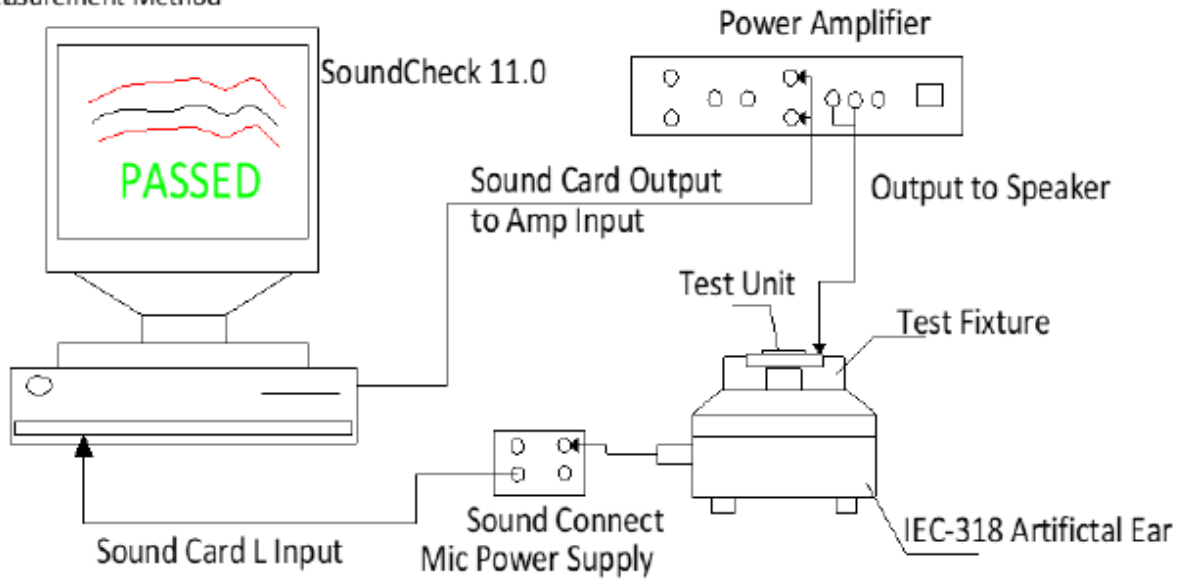
- Wide frequency range with low resonant frequency of 122Hz
- High 103 dB output with 800mV in Artificial Ear (1cm)
- High energy neodymium magnet

Specifications

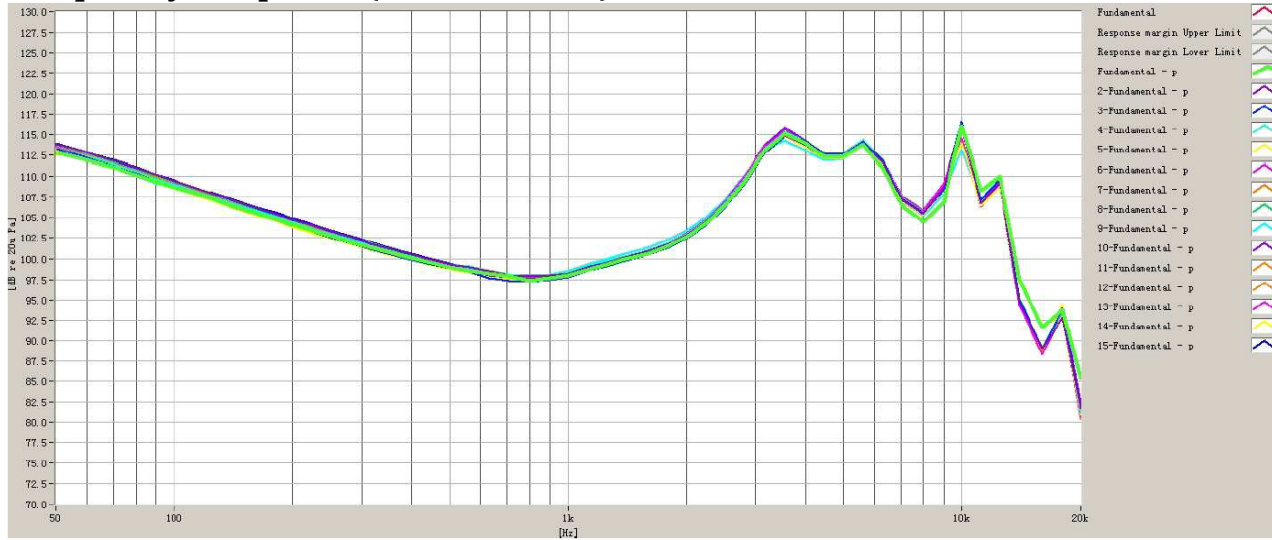
Parameters	Values	Units
Rated Input Power	5	mWatts
Max Input Power	10	mWatts
Impedance	$32 \pm 15\%$	Ohms
Sensitivity (SPL @ 1kHz, 1mV)	103 ± 3	dB Pa/V
Resonant Frequency	$122 \pm 20\%$	Hz
Frequency Range	20 ~ 20,000	Hz
Distortion (@ 100 ~ 10,000 Hz/ 3mW)	2% Max	-
Frame Material	A3 Metal	-
Magnet Material	NdFeB	-
Diaphragm Material	PET	-
Weight	0.7	Grams
Environmental Compliances	ROHS/REACH	-
Buzz, Rattle, etc.	Should not be audible with 350 mV sine wave from 50 Hz to 4 kHz	-
Polarity	When positive voltage is applied to the positive terminal, the diaphragm will move outward	-
Operating Temperature	-20 ~ +60	°C
Storage Temperature	-20 ~ +60	°C

Measurement Method (measured with 350mV, Temperature: 25 ~ 35°C, Relative Humidity: 25%~75%)

1. Measurement Method



Frequency Response (measured at 350mV)

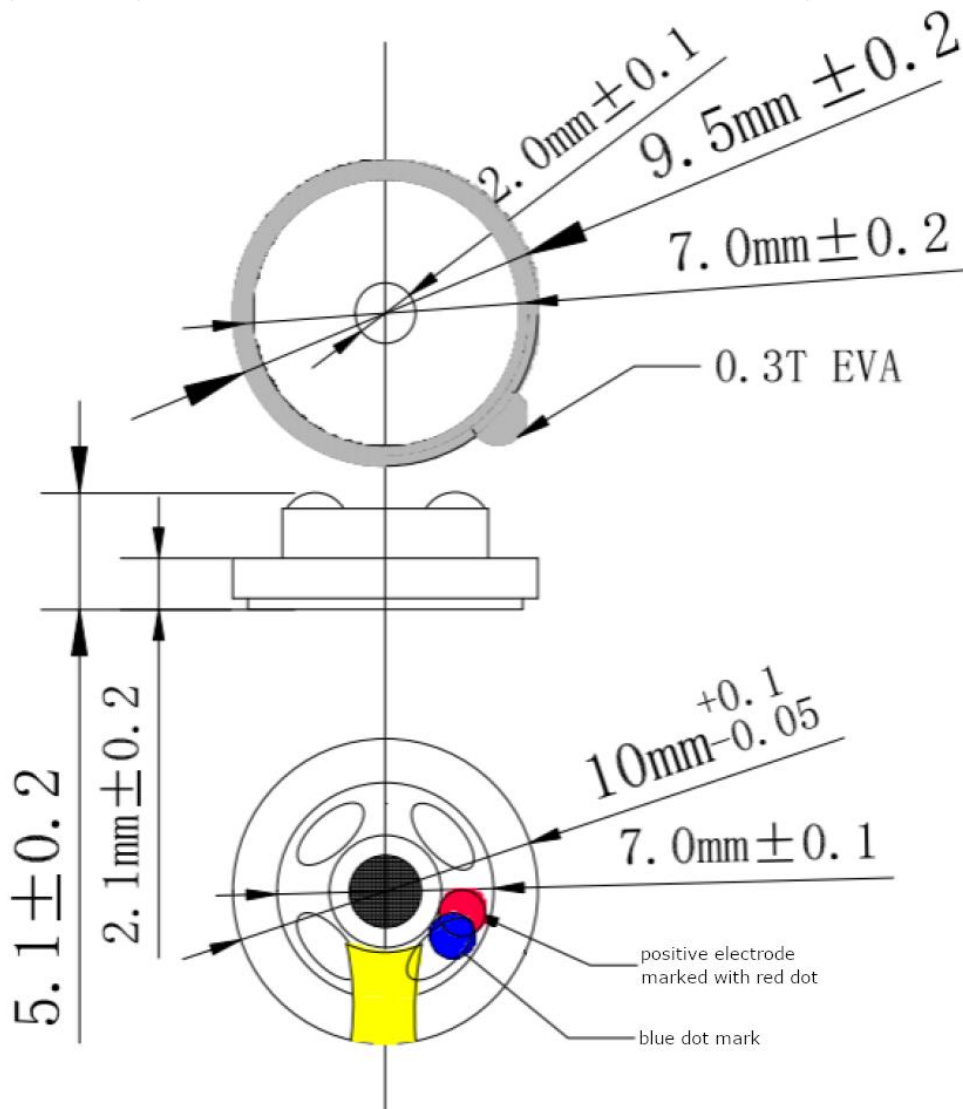


Reliability Testing

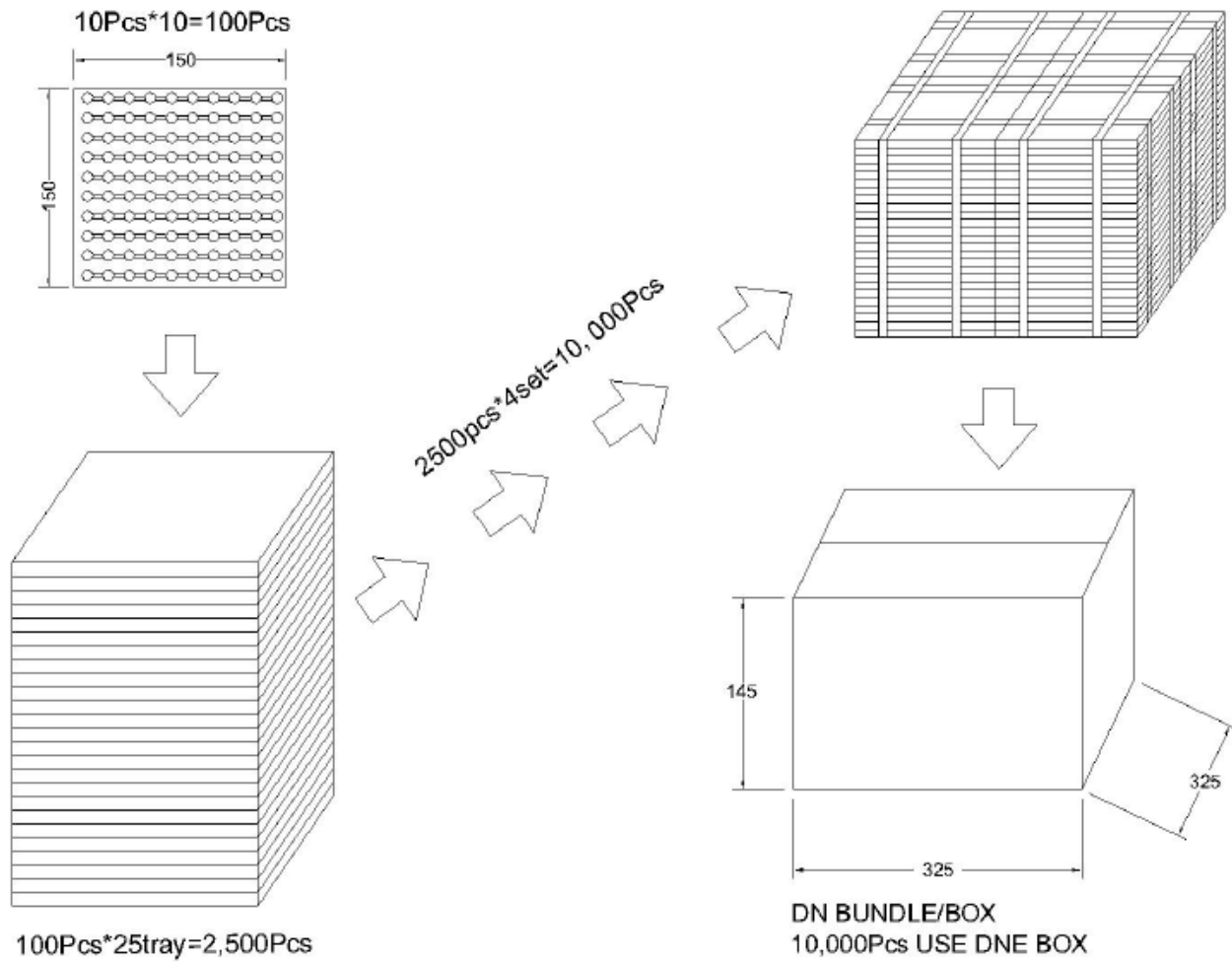
Type of Test	Test Specifications
High Temperature Test	96 hours at +60°C ± 2°C
Low Temperature Test	96 hours at -20°C ± 2°C
Humidity Test	96 hours at +50°C ± 2°C with relative humidity at 90~95% relative humidity
Temperature Cycle Testing	The part shall be subjected to 15 cycles. One cycle shall be 2 hours and consist of: 50°C+1°C/0.5h→20°C/0.5h→-20°C/0.5h→20°C/0.5h
Vibration Test	Frequency 30 ± 15 Hz, Amplitude 1.5 mm for 2 hours
Drop Test	100 cm free fall on concrete floor, 10 times

After each test, the speaker's SPL shall be ±4 dB of the original SPL after 1 hour of recovery.

Dimensions



Packaging



Specifications Revisions

Revision	Description	Date	Approved
A	Released from Engineering	3/21/2025	JD
B	Revised Drawing and Sensitivity	6/13/2025	JD

Note:

- Unless otherwise specified:
 - All dimensions are in millimeters.
 - Default tolerances are $\pm 0.5\text{mm}$ and angles are $\pm 3^\circ$.
- Specifications subject to change or withdrawal without notice.

X-ON Electronics

Largest Supplier of Electrical and Electronic Components

Click to view similar products for [Speakers & Transducers](#) category:

Click to view products by [PUI Audio](#) manufacturer:

Other Similar products are found below :

[FC-30814-P127](#) [PB-1220PE](#) [AB1541B-LW50-R](#) [AB2025B-LW50-R](#) [PT-2065FW](#) [PT-4175W](#) [FS3020MS0820-H4.7](#) [FS2515NS0810-H5.5](#)
[FS7040DS0450-H16.8](#) [FS7033NB0830-H15.5-R01](#) [FS3516NS0820-H6.5-R01](#) [GSPK25042PN-8R1.0W-L100](#) [FS66W04100-H31](#)
[FS32NS0820-H5.8-R01](#) [FS2112NB0807-H7.0-R01](#) [FS3520NS0820-H7.9-P1.25-L60](#) [FS50DS0430-H13.3-R24](#) [FS3411P08-H4.0](#)
[FS26NS0820-H4.9-R01](#) [FS14430NB0880-H30-R01](#) [FS5835DS0850-H19.4-R01](#) [FS2011NB0807-H3.9-R01](#) [FS28DS0820-H9.4-R01](#)
[FS66W0830-H27](#) [FS102W0480-H35](#) [FS3525NS0820-H5.5-R01](#) [FS3514NB0808-H6.0-R01](#) [FS40DS0450-H18.3](#) [FS102W04200-H40](#)
[FS3411P04-H4.0](#) [FS50DS0830-H12.7 PEI](#) [FS3020NB0805-H4.1-R01](#) [FS4020NB0410-H6.6-R01](#) [FS4020NB0820-H8.5-R01](#) [FS50DS0830-](#)
[H13.3-R24](#) [FS87W08100-H34](#) [FS87W16120-H32](#) [FS9050W0850-H38.5](#) [FS2015NB0808-H8.0-R01](#) [FS2217NB0810-H8-R01](#)
[FS7040DS0850-H16.8](#) [FS77W04150-H41](#) [FS102W08200-H41](#) [FS50MS0820-H7.5-P2.54-L350](#) [FS40MS0820-H5.0-P2.54-L160](#)
[FS102W04100-H37.5](#) [FS10843NB0850-H33-R01](#) [FS20NS0820-H5.5-R01](#) [FS3020MS0820-H4.7-P2.0-L150](#) [FS9050W08100-H38.5](#)