



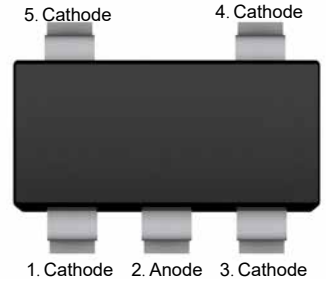
MMBP187SE

Silicon Epitaxial Planar Switching Diode

Features:

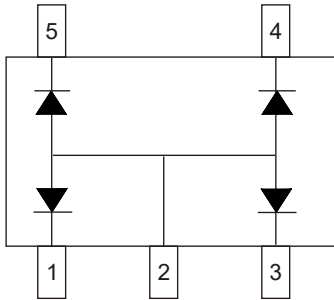
- High Speed switching

Package: GCH187-5



Marking Code: P187

Electrical Symbol:



Maximum Ratings (at T_J = 25°C unless otherwise specified):

Parameter	Symbol	Value	Unit
Maximum Repetitive Reverse Voltage	V _{RRM}	80	V
Reverse Voltage	V _R	80	V
Average Rectified Forward Current	I _{F(AV)}	100	mA
Non-Repetitive Peak Forward Surge Current	I _{FSM}	1 4	A
		at t = 1s	
		at t = 1μs	
Maximum Power Dissipation	P _D	350	mW
Junction Temperature	T _J	150	°C
Storage Temperature Range	T _{STG}	-55 to +150	°C

Electrical Characteristics (at T_J = 25°C unless otherwise specified):

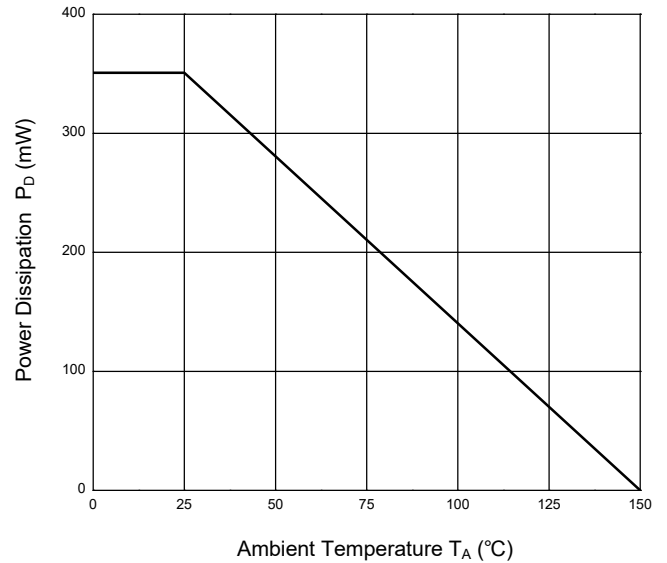
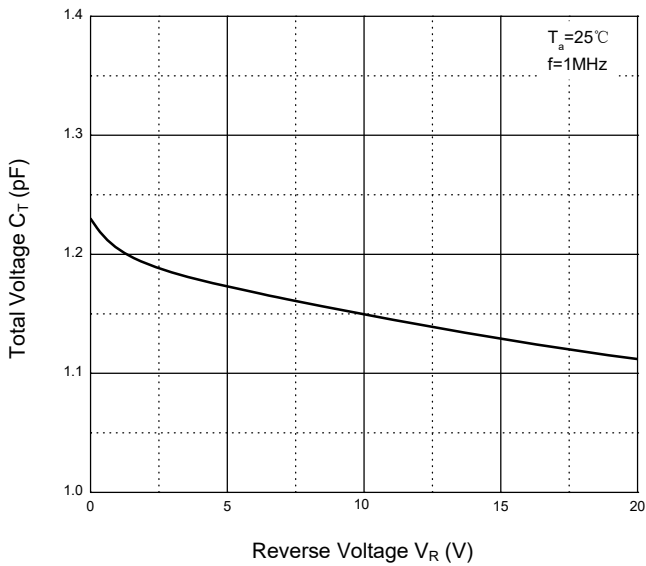
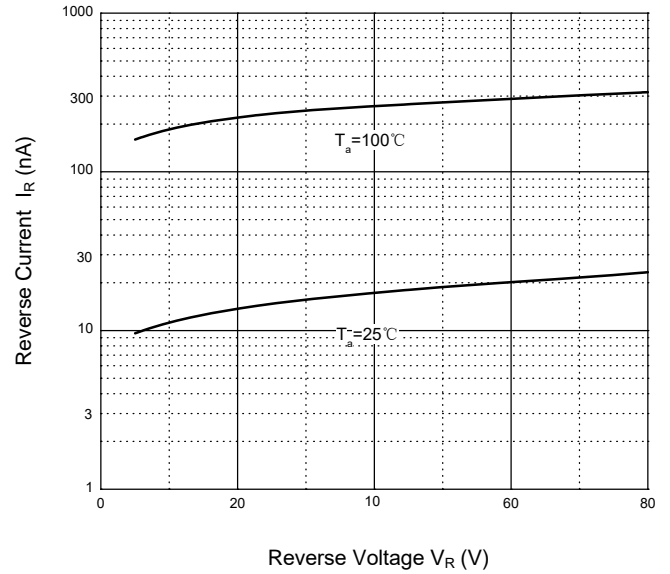
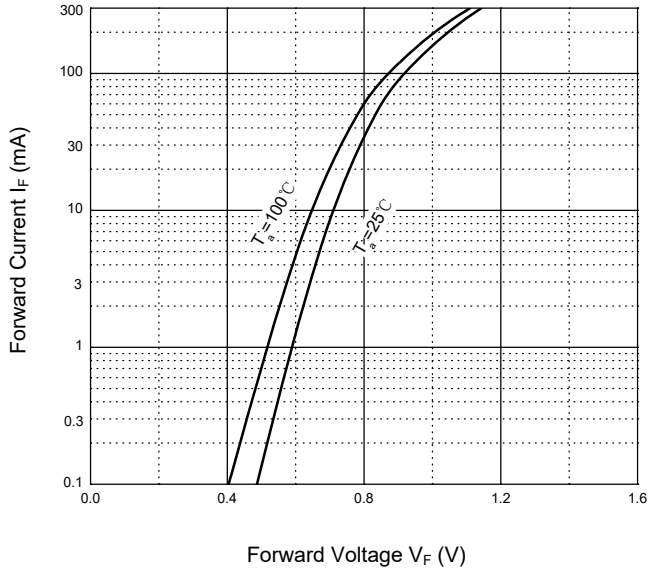
Parameter	Symbol	Min.	Max.	Unit
Forward Voltage	V _F	--	0.7	V
at I _F = 5 mA		--		
at I _F = 10 mA		--	0.85	
Reverse Breakdown Voltage at I _R = 100 μA	V _{(BR)R}	80	--	
Reverse Current at V _R = 80 V	I _R	--	1	μA
Typical Junction Capacitance	C _j	--	3	pF
at V _R = 0 V, f = 1 MHz				
Maximum Reverse Recovery Time	T _{rr}	--	4	nS
at I _F = I _R = 10mA, I _{rr} = 0.1×I _R				



MMBP187SE[®]

Silicon Epitaxial Planar Switching Diode

Typical Characteristic Curves





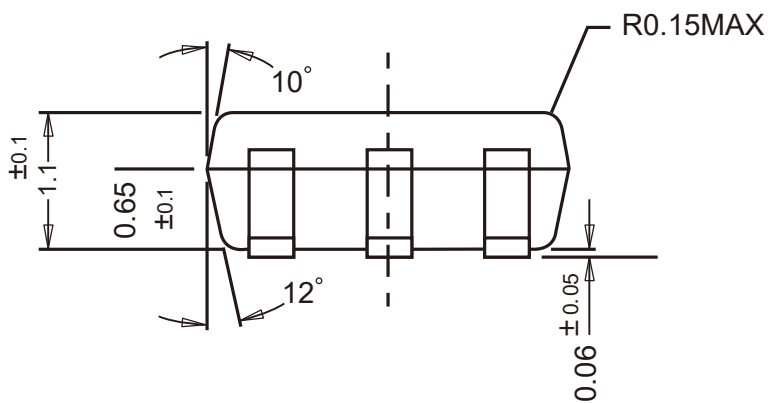
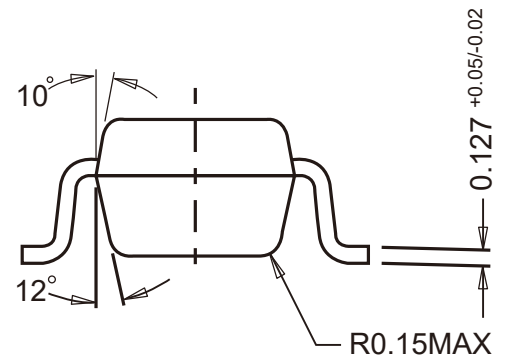
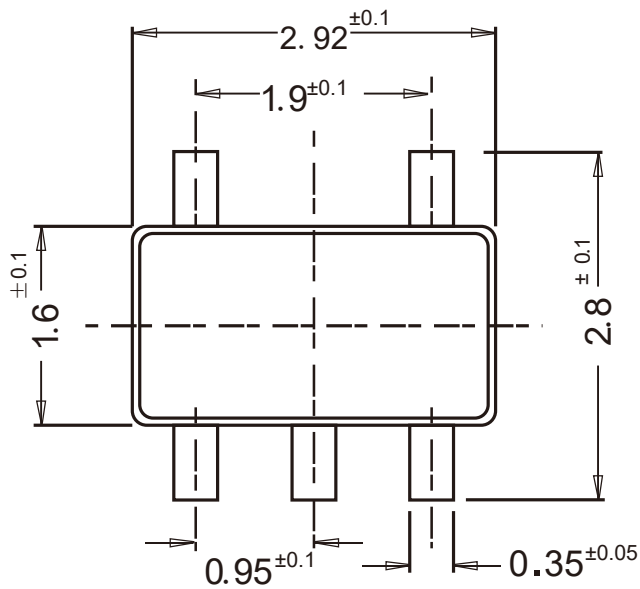
MMBP187SE[®]

Silicon Epitaxial Planar Switching Diode

Package Outline

SOT-23-5

Dimensions in mm



Ordering Information

Device	Package	Shipping
MMBP187SE	SOT-23-5	3,000PCS/Reel&7inches

X-ON Electronics

Largest Supplier of Electrical and Electronic Components

Click to view similar products for [Diodes - General Purpose, Power, Switching category:](#)

Click to view products by [Pingjingsemi manufacturer:](#)

Other Similar products are found below :

[RD0306T-TL-H](#) [RD0506T-TL-H](#) [DCD010-TB-E](#) [DSE010-TR-E](#) [NTE6244](#) [FC903-TR-E](#) [1N4449](#) [1N456A](#) [1N914BTR](#) [RFUH20TB3S](#)
[BAW75-TAP](#) [JAN1N3600](#) [BAV70HDW-7](#) [BAS28 TR](#) [1SS388-TP](#) [SI-A1125](#) [UF3G](#) [SHV-06JNS-Q](#) [2CL75A](#) [MCL4148PF](#) [1SS226,LF\(T](#)
[1SS352\(TPH3,F\)](#) [1SS306\(TE85L.F\)](#) [KDS122-RTK/P](#) [KDS135-RTK/PU](#) [DB107](#) [S-LBAS16HT1G](#) [P1200M](#) [KDS160E-RTL/P](#) [DB106S](#)
[DB207](#) [DB157](#) [DB155](#) [DB206](#) [2CL74](#) [DB105](#) [DB156S](#) [DB206S](#) [DB156](#) [BAV199](#) [1SS181,LF\(T](#) [CRG09A,LXGQ](#) [CRG09A,LQ\(M](#) [DB106](#)
[SDUR1530](#) [S2KTR](#) [S2MTR](#) [GL1M](#) [CD4148WSP](#) [CD4148WTP](#)