



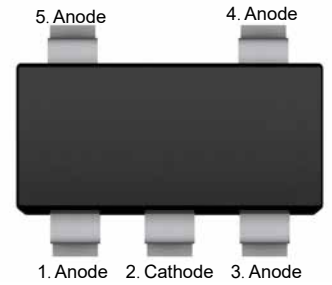
# MMBN187SE

## Silicon Epitaxial Planar Switching Diode

**Features:**

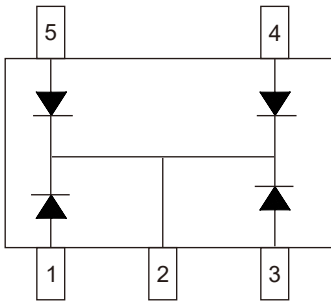
- High Speed switching

**Package:** SMD-5



**Marking Code:** N187

**Electrical Symbol:**



**Electrical Characteristics (at T<sub>J</sub> = 25°C)**

Parameter	Symbol	Value	Unit
Maximum Repetitive Reverse Voltage	V <sub>RRM</sub>	80	V
Reverse Voltage	V <sub>R</sub>	80	V
Average Rectified Forward Current	I <sub>F(AV)</sub>	100	mA
Non-Repetitive Peak Forward Surge Current	I <sub>FSM</sub>	1 4	A
		at t = 1s	
		at t = 1μs	
Maximum Power Dissipation	P <sub>D</sub>	350	mW
Junction Temperature	T <sub>J</sub>	150	°C
Storage Temperature Range	T <sub>STG</sub>	-55 to +150	°C

**Electrical Characteristics (at T<sub>J</sub> = 25°C)**

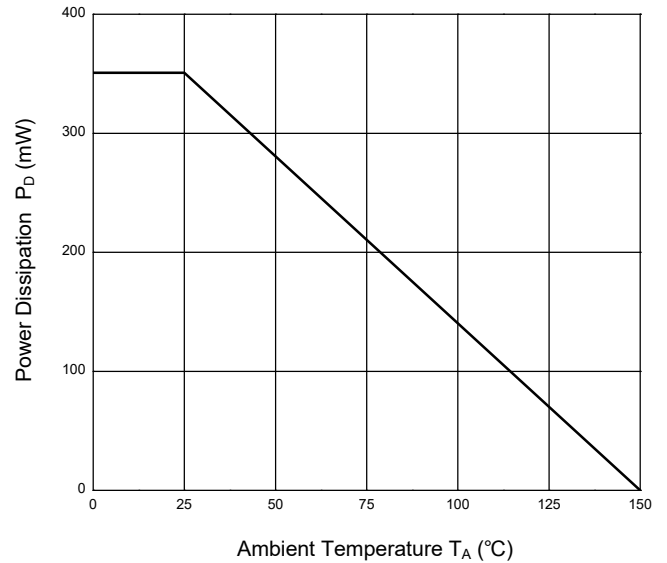
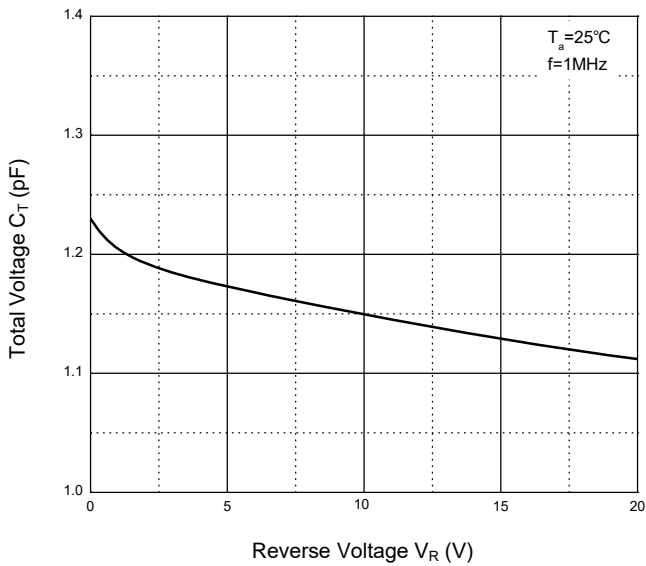
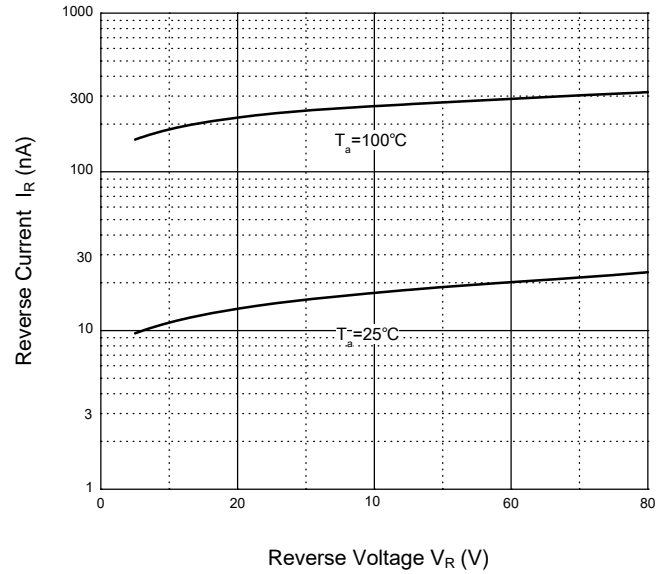
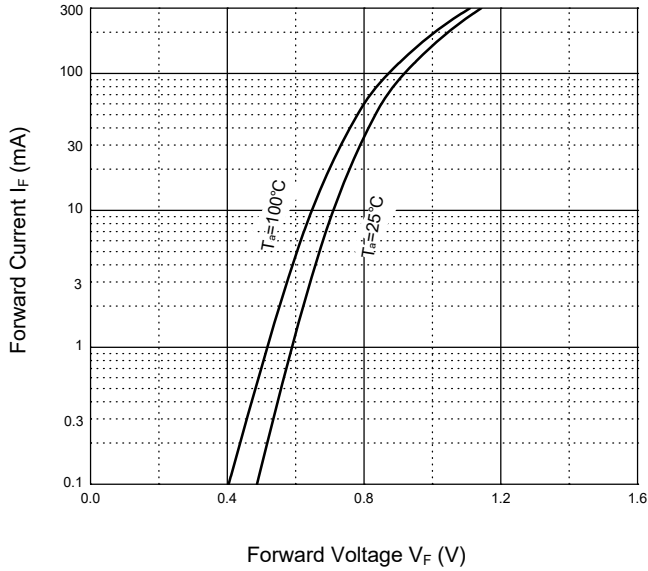
Parameter	Symbol	Min.	Max.	Unit
Forward Voltage	V <sub>F</sub>	--	0.7	V
at I <sub>F</sub> = 5 mA		--	0.85	
at I <sub>F</sub> = 10 mA		--		
Reverse Breakdown Voltage at I <sub>R</sub> = 100 μA	V <sub>(BR)R</sub>	80	--	
Reverse Current at V <sub>R</sub> = 80 V	I <sub>R</sub>	--	1	μA
Typical Junction Capacitance	C <sub>j</sub>	--	3	pF
at V <sub>R</sub> = 0 V, f = 1 MHz				
Maximum Reverse Recovery Time	T <sub>rr</sub>	--	4	nS
at I <sub>F</sub> = I <sub>R</sub> = 10mA, I <sub>rr</sub> = 0.1×I <sub>R</sub>				



# MMBN187SE<sup>†</sup>

## Silicon Epitaxial Planar Switching Diode

### Typical Characteristic Curves





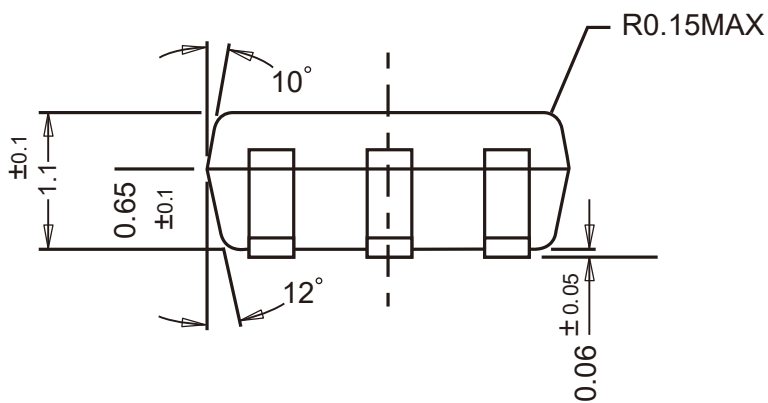
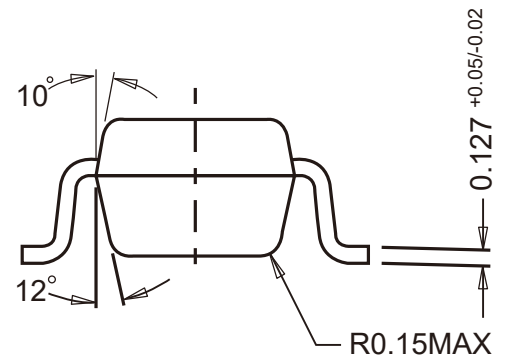
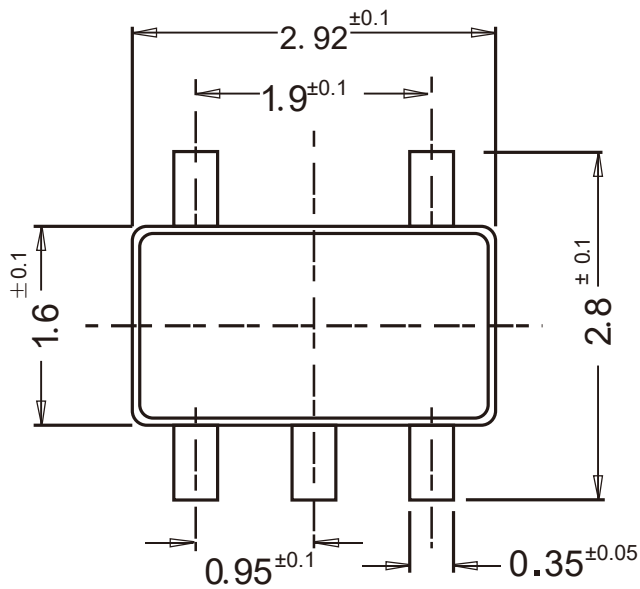
# MMBN187SE<sup>†</sup>

## Silicon Epitaxial Planar Switching Diode

### Package Outline

SOT-23-5

Dimensions in mm



### Ordering Information

Device	Package	Shipping
MMBN187SE	SOT-23-5	3,000PCS/Reel&7inches

## X-ON Electronics

Largest Supplier of Electrical and Electronic Components

*Click to view similar products for* [Diodes - General Purpose, Power, Switching category:](#)

*Click to view products by* [Pingjingsemi manufacturer:](#)

Other Similar products are found below :

[RD0306T-TL-H](#) [RD0506T-TL-H](#) [DCD010-TB-E](#) [DSE010-TR-E](#) [NTE6244](#) [FC903-TR-E](#) [1N4449](#) [1N456A](#) [1N914BTR](#) [RFUH20TB3S](#)  
[BAW75-TAP](#) [JAN1N3600](#) [BAV70HDW-7](#) [BAS28 TR](#) [1SS388-TP](#) [SI-A1125](#) [UF3G](#) [SHV-06JNS-Q](#) [2CL75A](#) [MCL4148PF](#) [1SS226,LF\(T](#)  
[1SS352\(TPH3,F\)](#) [1SS306\(TE85L.F\)](#) [KDS122-RTK/P](#) [KDS135-RTK/PU](#) [DB107](#) [S-LBAS16HT1G](#) [P1200M](#) [KDS160E-RTL/P](#) [DB106S](#)  
[DB207](#) [DB157](#) [DB155](#) [DB206](#) [2CL74](#) [DB105](#) [DB156S](#) [DB206S](#) [DB156](#) [BAV199](#) [1SS181,LF\(T](#) [CRG09A,LXGQ](#) [CRG09A,LQ\(M](#) [DB106](#)  
[SDUR1530](#) [S2KTR](#) [S2MTR](#) [GL1M](#) [CD4148WSP](#) [CD4148WTP](#)