

SACB-8/ 8-M23 P12 - Distributor box



1491743

<https://www.phoenixcontact.com/ca/products/1491743>

Please be informed that the data shown in this PDF document is generated from our online catalog. Please find the complete data in the user documentation. Our general terms of use for downloads are valid.



Distributor box, application: Standard, connection method: M12 socket / M12 PUSH-PULL female connector, number of slots: 8, number of positions: 4, coding: A, slot assignment: single, status display: no, Universal; master cable connection: M23 plug-in connection (for standard and ONECLICK fast-locking system) 90°, shielding: no

Your advantages

- Safety in the field, thanks to molded housing and high degree of protection
- Fast, secure installation of connectors with the push-pull fast-locking system in accordance with IEC 61076-2-010

Commercial data

Item number	1491743
Packing unit	1 pc
Minimum order quantity	1 pc
Product key	AF3CBB
GTIN	4063151940225
Weight per piece (including packing)	268.8 g
Weight per piece (excluding packing)	268.8 g
Country of origin	DE

SACB-8/ 8-M23 P12 - Distributor box



1491743

<https://www.phoenixcontact.com/ca/products/1491743>

Technical data

Notes

Assembly note	NOTE: Observe the permissible bending radii when routing cables, since the degree of protection may be at risk if the bending forces are too high. Reduce mechanical loads upstream of the connector, e.g., by using cable ties.
Note on application	Unused slots are to be sealed off prior to commissioning. Suitable sealing elements are to be found under "Accessories".
Note on application	An O-ring is required when using an M23 screw connector.

Product properties

Product type	Distributor box
Application	Standard
Number of positions	4
Number of slots	8
Coding	A

Electrical properties

Max. operating voltage U_{max}	135 V
Nominal voltage U_N	120 V AC
	120 V DC
Rated current, total	12 A
Max. current carrying capacity per path	2 A
Current carrying capacity per slot	4 A

Connection data

Conductor connection

Sensor/actuator connection system	M12 socket
-----------------------------------	------------

Connection assignment

Slot/position = Wire color or connection	1 / 4 (A)
	2 / 4 (A)
	3 / 4 (A)
	4 / 4 (A)
	5 / 4 (A)
	6 / 4 (A)
	7 / 4 (A)
	8 / 4 (A)
	1-8 / 1 (+ 120 V)
	1-8 / 3 (0 V)
	1-8 / 5 (PE)

Signaling

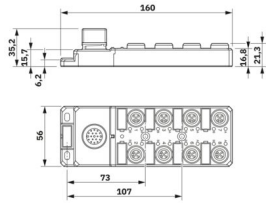
SACB-8/ 8-M23 P12 - Distributor box

1491743

<https://www.phoenixcontact.com/ca/products/1491743>

Status display present	no
------------------------	----

Dimensions

Dimensional drawing	
Width	56 mm
Height	35.2 mm
Length	160 mm

Material specifications

Material Housing	PBT
Flammability rating according to UL 94	V0
Seal material Molded seal	FKM
Contact material	CuSn
Contact surface material	Ni/Au
Contact carrier material	PA
Material of contact, master cable side	CU alloy
Material of contact surface, master cable side	gold-plated

Cable/line

Connection method	M23 plug-in connection (for standard and ONECLICK fast-locking system)
-------------------	--

Environmental and real-life conditions

Ambient conditions

Degree of protection	IP65
	IP67
Ambient temperature (operation)	-25 °C ... 80 °C

SACB-8/ 8-M23 P12 - Distributor box

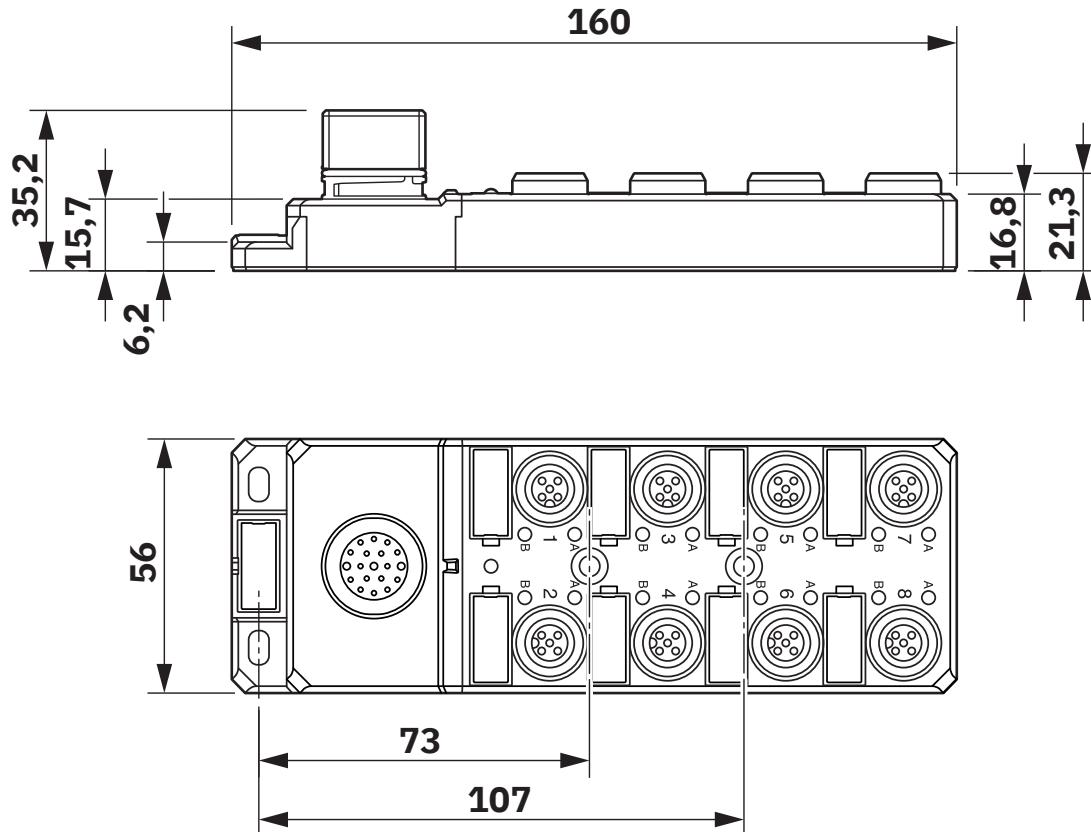


1491743

<https://www.phoenixcontact.com/ca/products/1491743>

Drawings

Dimensional drawing

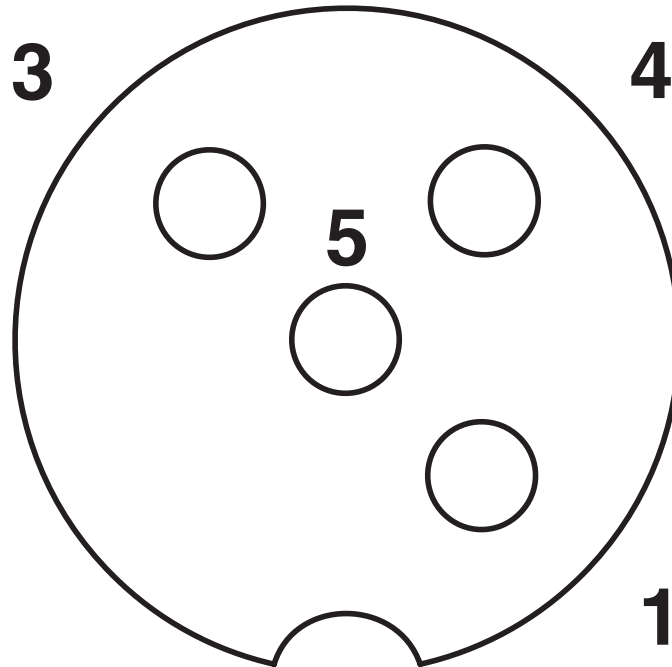


SACB-8/ 8-M23 P12 - Distributor box

1491743

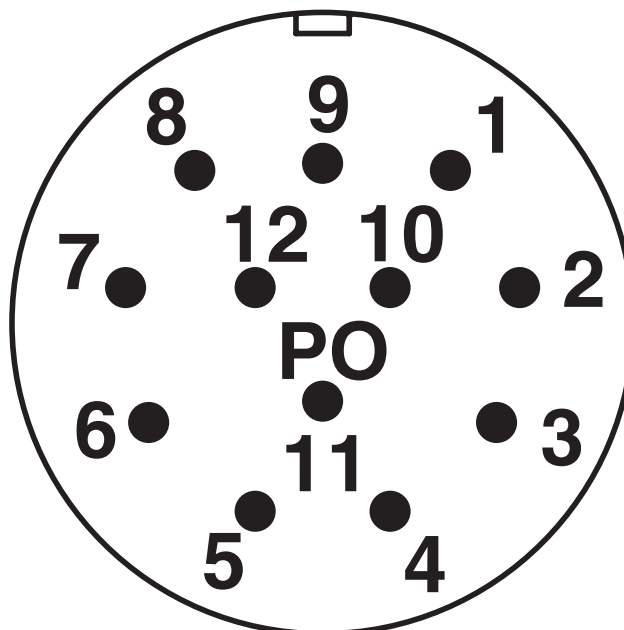
<https://www.phoenixcontact.com/ca/products/1491743>

Schematic diagram



M12 slot, socket, 4-pos.

Schematic diagram



M23 plug connection pin, 12-pos.

SACB-8/ 8-M23 P12 - Distributor box



1491743

<https://www.phoenixcontact.com/ca/products/1491743>

Classifications

ECLASS

ECLASS-13.0	27440111
ECLASS-15.0	27440111

ETIM

ETIM 9.0	EC003558
----------	----------

X-ON Electronics

Largest Supplier of Electrical and Electronic Components

Click to view similar products for [Sensor Junction Blocks](#) category:

Click to view products by [Phoenix Contact](#) manufacturer:

Other Similar products are found below :

[120248-0520](#) [2701503](#) [1516836](#) [1452819](#) [1516852](#) [1300370004](#) [918-5M NC032](#) [1516755](#) [919-5M NC032](#) [1516797](#) [802-5M NC032](#)
[BOX1M1205MA05M805F](#) [1516894](#) [1503412](#) [1452929](#) [1453012](#) [1452741](#) [DB12-5A4M23-DPS7001](#) [902-10M-NC032](#) [908-10M-NC032](#)
[909-10M-NC032](#) [911-10M-NC032](#) [913-10M-NC032](#) [914-10M-NC032](#) [917-10M-NC032](#) [DB12-5A4CAB-DPS7B01](#) [DB12-5A8CAB-](#)
[DPS7B01](#) [DB12-5A8M23-DPS7001](#) [DB12-5A8CAB-DPS7B10](#) [DB8-3A4CAB-SPS7B10](#) [DB8-3A8CAB-SPS7B05](#) [DB8-3A8CAB-SPS7B01](#)
[DB8-3A6CAB-SPS7B10](#) [DB8-3A4CAB-SPS7B05](#) [DB8-3A6CAB-SPS7B03](#) [DB8-3A8CAB-SPS7B03](#) [DB8-3A6CAB-SPS7B05](#) [DB8-](#)
[3A4CAB-SPS7B03](#) [DB8-3A6M16-SPS7001](#) [JB-4M12-M23-24](#) [JB-4M12-M23-N24](#) [JB-4M12-M23-P24](#) [JB-4M8-M12-4](#) [JB-4M8-M12-N4](#)
[JB-4M8-M12-P4](#) [JB-8M12-M23-24](#) [JB-8M12-M23-N24](#) [JB-8M12-M23-P24](#) [JB-8M8-M12-4](#) [JB-8M8-M12-N4](#)