

SACB-6/12-L-M23 P12 - Distributor box



1491733

<https://www.phoenixcontact.com/ca/products/1491733>

Please be informed that the data shown in this PDF document is generated from our online catalog. Please find the complete data in the user documentation. Our general terms of use for downloads are valid.



Distributor box, application: Standard, connection method: M12 socket / M12 PUSH-PULL female connector, number of slots: 6, number of positions: 5, coding: A, slot assignment: Double, status display: yes, PNP; master cable connection: M23 plug-in connection (for standard and ONECLICK fast-locking system) 90°, shielding: no

Your advantages

- Safety in the field, thanks to molded housing and high degree of protection
- Fast, secure installation of connectors with the push-pull fast-locking system in accordance with IEC 61076-2-010
- Save space: distributor box with double occupancy for two sensors in one slot

Commercial data

| | |
|--------------------------------------|---------------|
| Item number | 1491733 |
| Packing unit | 1 pc |
| Minimum order quantity | 1 pc |
| Product key | AF3CBB |
| GTIN | 4063151937171 |
| Weight per piece (including packing) | 237.2 g |
| Weight per piece (excluding packing) | 237.2 g |
| Country of origin | DE |

SACB-6/12-L-M23 P12 - Distributor box



1491733

<https://www.phoenixcontact.com/ca/products/1491733>

Technical data

Notes

| | |
|---------------------|---|
| Assembly note | NOTE: Observe the permissible bending radii when routing cables, since the degree of protection may be at risk if the bending forces are too high. Reduce mechanical loads upstream of the connector, e.g., by using cable ties. |
| Note on application | Unused slots are to be sealed off prior to commissioning. Suitable sealing elements are to be found under "Accessories". |
| Note on application | An O-ring is required when using an M23 screw connector. |

Product properties

| | |
|---------------------|-----------------|
| Product type | Distributor box |
| Application | Standard |
| Number of positions | 5 |
| Number of slots | 6 |
| Coding | A |

Electrical properties

| | |
|---|---------|
| Max. operating voltage U_{max} | 30 V DC |
| Nominal voltage U_N | 24 V DC |
| Rated current, total | 12 A |
| Max. current carrying capacity per path | 2 A |
| Current carrying capacity per slot | 4 A |

Connection data

Conductor connection

| | |
|-----------------------------------|------------|
| Sensor/actuator connection system | M12 socket |
|-----------------------------------|------------|

Connection assignment

| | |
|--|-----------------------|
| Slot/position = Wire color or connection | 1 / 4 (A) = 15 |
| | 1 / 2 (B) = 7 |
| | 2 / 4 (A) = 5 |
| | 2 / 2 (B) = 4 |
| | 3 / 4 (A) = 16 |
| | 3 / 2 (B) = 8 |
| | 4 / 4 (A) = 3 |
| | 4 / 2 (B) = 14 |
| | 5 / 4 (A) = 17 |
| | 5 / 2 (B) = 9 |
| | 6 / 4 (A) = 2 |
| | 6 / 2 (B) = 13 |
| | 1-6 / 1 (+ 24 V) = 19 |
| 1-6 / 3 (0 V) = 6 | |

SACB-6/12-L-M23 P12 - Distributor box



1491733

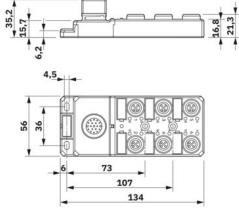
<https://www.phoenixcontact.com/ca/products/1491733>

| | |
|--|-------------------|
| | 1-6 / 5 (PE) = 12 |
|--|-------------------|

Signaling

| | |
|------------------------|-----|
| Status display present | yes |
|------------------------|-----|

Dimensions

| | |
|---------------------|--|
| Dimensional drawing |  |
| Width | 56 mm |
| Height | 35.2 mm |
| Length | 134 mm |

Material specifications

| | |
|--|-------------|
| Material Housing | PBT |
| Flammability rating according to UL 94 | V0 |
| Seal material | FKM |
| Contact material | CuSn |
| Contact surface material | Ni/Au |
| Contact carrier material | PA |
| Material of contact, master cable side | CU alloy |
| Material of contact surface, master cable side | gold-plated |

Cable/line

| | |
|-------------------|--|
| Connection method | M23 plug-in connection (for standard and ONECLICK fast-locking system) |
|-------------------|--|

Environmental and real-life conditions

Ambient conditions

| | |
|---------------------------------|------------------|
| Degree of protection | IP65 |
| | IP67 |
| Ambient temperature (operation) | -25 °C ... 80 °C |

SACB-6/12-L-M23 P12 - Distributor box

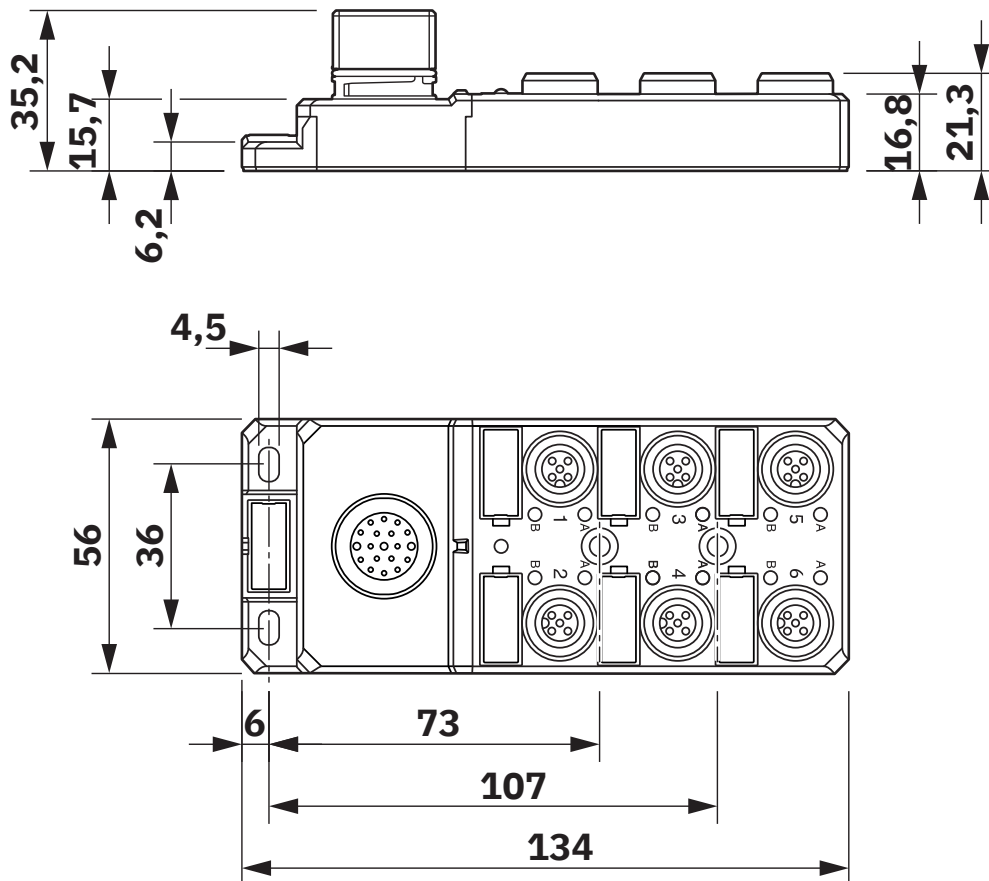


1491733

<https://www.phoenixcontact.com/ca/products/1491733>

Drawings

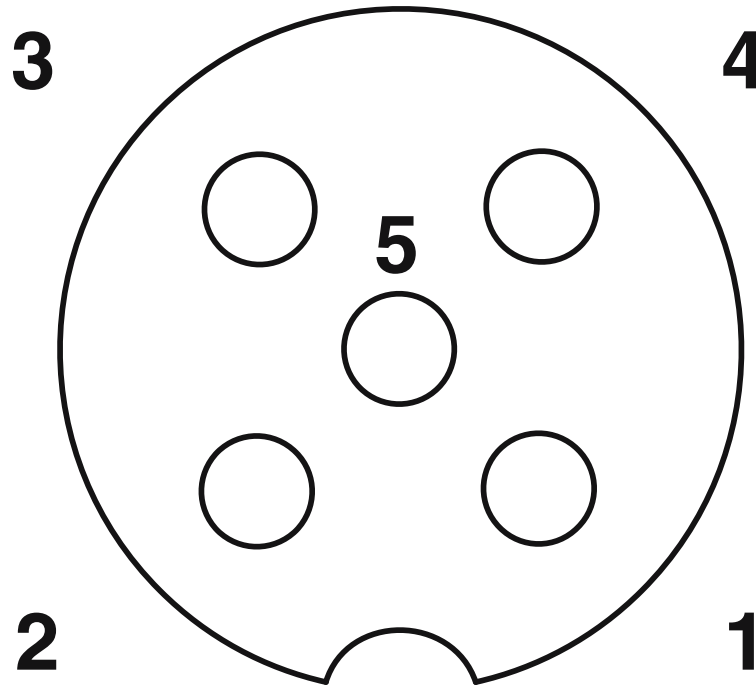
Dimensional drawing



1491733

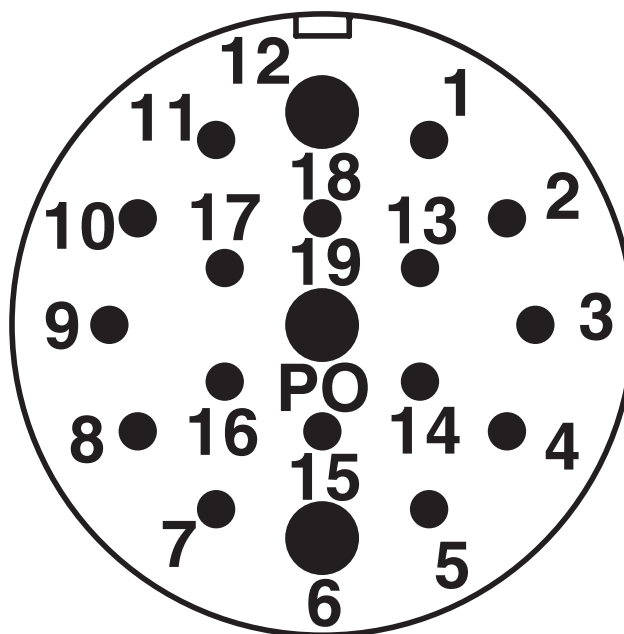
<https://www.phoenixcontact.com/ca/products/1491733>

Schematic diagram



M12 slot, socket, 5-pos.

Schematic diagram



M23 plug connection pin, 19-pos.

SACB-6/12-L-M23 P12 - Distributor box



1491733

<https://www.phoenixcontact.com/ca/products/1491733>

Classifications

ECLASS

| | |
|-------------|----------|
| ECLASS-13.0 | 27440111 |
| ECLASS-15.0 | 27440111 |

ETIM

| | |
|----------|----------|
| ETIM 9.0 | EC003558 |
|----------|----------|

X-ON Electronics

Largest Supplier of Electrical and Electronic Components

Click to view similar products for [Sensor Junction Blocks](#) category:

Click to view products by [Phoenix Contact](#) manufacturer:

Other Similar products are found below :

[120248-0520](#) [2701503](#) [1516836](#) [1452819](#) [1516852](#) [1300370004](#) [918-5M NC032](#) [1516755](#) [919-5M NC032](#) [1516797](#) [802-5M NC032](#)
[BOX1M1205MA05M805F](#) [1516894](#) [1503412](#) [1452929](#) [1453012](#) [1452741](#) [DB12-5A4M23-DPS7001](#) [902-10M-NC032](#) [908-10M-NC032](#)
[909-10M-NC032](#) [911-10M-NC032](#) [913-10M-NC032](#) [914-10M-NC032](#) [917-10M-NC032](#) [DB12-5A4CAB-DPS7B01](#) [DB12-5A8CAB-](#)
[DPS7B01](#) [DB12-5A8M23-DPS7001](#) [DB12-5A8CAB-DPS7B10](#) [DB8-3A4CAB-SPS7B10](#) [DB8-3A8CAB-SPS7B05](#) [DB8-3A8CAB-SPS7B01](#)
[DB8-3A6CAB-SPS7B10](#) [DB8-3A4CAB-SPS7B05](#) [DB8-3A6CAB-SPS7B03](#) [DB8-3A8CAB-SPS7B03](#) [DB8-3A6CAB-SPS7B05](#) [DB8-](#)
[3A4CAB-SPS7B03](#) [DB8-3A6M16-SPS7001](#) [JB-4M12-M23-24](#) [JB-4M12-M23-N24](#) [JB-4M12-M23-P24](#) [JB-4M8-M12-4](#) [JB-4M8-M12-N4](#)
[JB-4M8-M12-P4](#) [JB-8M12-M23-24](#) [JB-8M12-M23-N24](#) [JB-8M12-M23-P24](#) [JB-8M8-M12-4](#) [JB-8M8-M12-N4](#)