

**■ Description**

This LED is built with two different or same color LEDs. It builds with resistors to operate with wide operation voltage of DC3-15V.

**■ Features**

- Wide Input Voltage
- Cost Saving and Space Saving
- Water Clear Type
- Bi-color Common Cathode Type

**■ Applications**

- Toys/Game/Audio
- TTL/Cmos Compatible
- Arduino/Pi Pico/Steam Kit
- Other Electronics Products

**■ Absolute Maximum Rating**

(Ta=25°C)

Item	Symbol	Value	Unit
DC Forward Voltage	V <sub>F</sub>	15	V
Reverse Voltage	V <sub>R</sub>	12	V
Power Dissipation	P <sub>D</sub>	190	mW
Operating Temperature	Topr	-30 ~ +85	°C
Storage Temperature	Tstg	-40 ~ +100	°C
Lead Soldering Temperature	Tsol	260°C/5sec	-

**■ Electrical -Optical Characteristics** (Ta=25°C)

Color	I <sub>F</sub> (mA)			I <sub>v</sub> (mcd)*			λD(nm)/CCT(K)*			θ1/2(deg)
	Min.	Typ.	Max.	Min.	Typ.	Max.	Min.	Typ.	Max.	Typ.
	V <sub>F</sub> =9V									
Red	-	7.5	-	-	4200	-	620	625	630	30
Yellow	-	7.5	-	-	4200	-	585	590	595	
Blue	-	8.0	-	-	2500	-	465	470	475	
Pure Green	-	8.0	-	-	7000	-	520	525	530	
Cool White	-	8.0	-	-	7000	-	CCT:8500-18000K			
Warm White	-	8.0	-	-	7000	-	CCT:2700-3300K			

**■ Part Number**

Color	Red	Yellow	Pure Green	Blue
Red	OSRMC8131A-VV	OSRYMC8131A-VV	OSRPMC8131A-VV	OSRBMC8131A-VV
Yellow	OSRYMC8131A-VV	OSYYMC8131A-VV	OSYPMC8131A-VV	OSYBMC8131A-VV
Pure Green	OSRPMC8131A-VV	OSYPMC8131A-VV	OSPPDC8131A-VV	OSPBDC8131A-VV
Blue	OSRBMC8131A-VV	OSYBMC8131A-VV	OSPBDC8131A-VV	OSBBDC8131A-VV
Cool White	OSRWMC8131A-VV	OSYWMC8131A-VV	OSPWDC8131A-VV	OSBWDC8131A-VV
Warm White	OSRMMC8131A-VV	OSYMMC8131A-VV	OSPMDC8131A-VV	OSBMDC8131A-VV

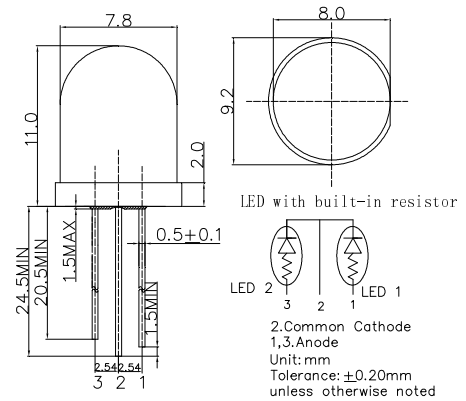
\*1 Tolerance of measurements of chromaticity coordinates is ±10%

\*2 Tolerance of measurements of dominant wavelength is ±1nm

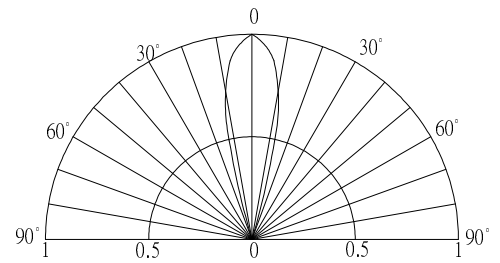
\*3 Tolerance of measurements of luminous intensity is ±15%

\*4 Tolerance of measurements of forward voltage is ±0.1V

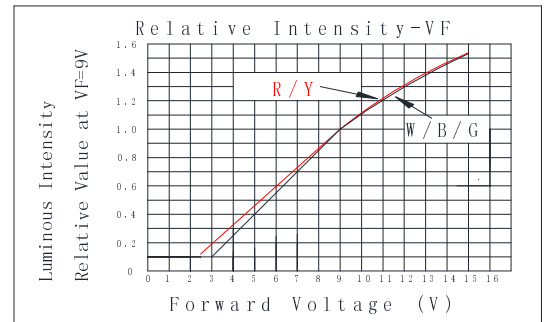
**■ Outline Dimension**



**■ Directivity**



**■ Optical Characteristic Curves**



## X-ON Electronics

Largest Supplier of Electrical and Electronic Components

*Click to view similar products for [Optosupply](#) manufacturer:*

Other Similar products are found below :

[OSB5SA5111A-CRLED16](#) [OSB5SA83C1A](#) [OSX10201-YGR1](#) [OS5YKP5111A](#) [OS5YPM8131A](#) [OS5YAA5HA4D-1-ST](#) [OS6OGA5B61P](#)  
[OSW5DK5A31A-CRLED18](#) [OSY5PA5A31A-1MA](#) [OSB4YU39B4B](#) [OSO5JA3FE1B-12V](#) [OKLEDT30606A](#) [OSPT9054X3A](#)  
[OKLEDT5050RPW](#) [OSL10564-IB](#) [OSO5PA58A1B-12V](#) [OKLEDT8050G5W](#) [OKLEDT8050RPW](#) [OSGGD251A5A](#) [OKLEDT3050RBW](#)  
[OSYYP251A5A](#) [OKLEDT5050B5W](#) [OSB5DA3HA1F](#) [OSYBP2A131A](#) [OKLEDT3050RBV](#) [OKLEDT3050WAW](#) [OSL12306-16-IRA](#)  
[OSY5MP5A34A-6.8HZ](#) [OKLEDT5050RBV](#) [OKLEDT8050RBV](#) [OKLEDT3050RPW](#) [OKLEDT5050WAV](#) [OSWRP23962B](#)  
[OKLEDT5050TAW](#) [OKLEDT8050G5V](#) [OKLEDT8050WAW](#) [OSY5MSA131A](#) [OSXD2201-AGA](#) [OKLEDT3050RPV](#) [OKLEDT5050RBW](#)  
[OSL10601-IRA](#) [OSCM4TS4C1A](#) [OSM5XAHEE1E](#) [OS6OGA3131P](#) [OSL10564-IYG](#) [OSO5PA56A1A-CRLED14](#) [OSRGH23NE2A](#)  
[OST1MCA132A](#) [OKLEDT31206A](#) [OSPTYJ53X2T](#)