

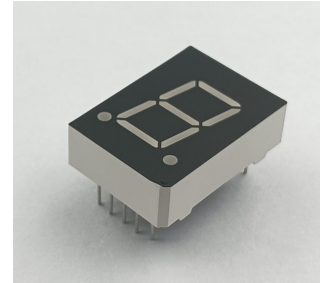
**■ Features**

- 0.6 Inch Single Digit Display
- Long lifetime operation
- IC compatible
- Low power dissipation
- Black surface & white segment or dot
- Number of pins :10

**■ Applications**

- Counting device
- Clock

**■ Photo**



Item	Symbol	Value		Unit
		YG/Y/O/RA	W/B/G	
DC Forward Current	I <sub>F</sub>	20	20	mA
Pulse Forward Current#	I <sub>FP</sub>	100	100	mA
Reverse Voltage	V <sub>R</sub>	5	5	V
Power Dissipation	P <sub>t</sub>	48	68	mW
Operating Temperature	Topr	-30 ~ +70		°C
Storage Temperature	Tstg	-40~ +85		°C
Lead Soldering Temperature(1.6mm from seating plane)	Tsol	260°C/5sec		°C

#Pulse width Max.10ms Duty ratio max 1/10

**■ Electrical -Optical Characteristics (Ta=25°C)**

Part Number	Color		V <sub>F</sub> (V)			I <sub>R</sub> (μA)	I <sub>v</sub> (mcd)			λD(nm)		
			Min.	Typ.	Max.	Max.	Min.	Typ.	Max.	Min.	Typ.	Max.
			I <sub>F</sub> =20mA			V <sub>R</sub> =5V			I <sub>F</sub> =20mA			
OSL10601-IW(LW)	White	W	-	2.9	3.4	20	-	100	-	CCT:8500-18000K		
OSL10601-IB(LB)	Blue	B	-	2.9	3.4	20	-	50	-	460	470	475
OSL10601-IG(LG)	Pure Green	G	-	2.9	3.4	20	-	200	-	515	525	530
OSL10601-IYG(LYG)	Yellow Green	YG	-	2.9	2.4	20	-	12	-	560	570	575
OSL10601-IY(LY)	Yellow	Y	-	2.0	2.4	20	-	60	-	585	590	595
OSL10601-IO(LO)	Orange	O	-	2.0	2.4	20	-	70	-	600	605	610
OSL10601-IRA(LRA)	Red	RA	-	2.0	2.4	20	-	100	-	620	625	630

\*1 Tolerance of measurements of color temperature is ±10%

\*2 Tolerance of measurements of dominant wavelength is ±1nm

\*3 Tolerance of measurements of luminous intensity is ±15%

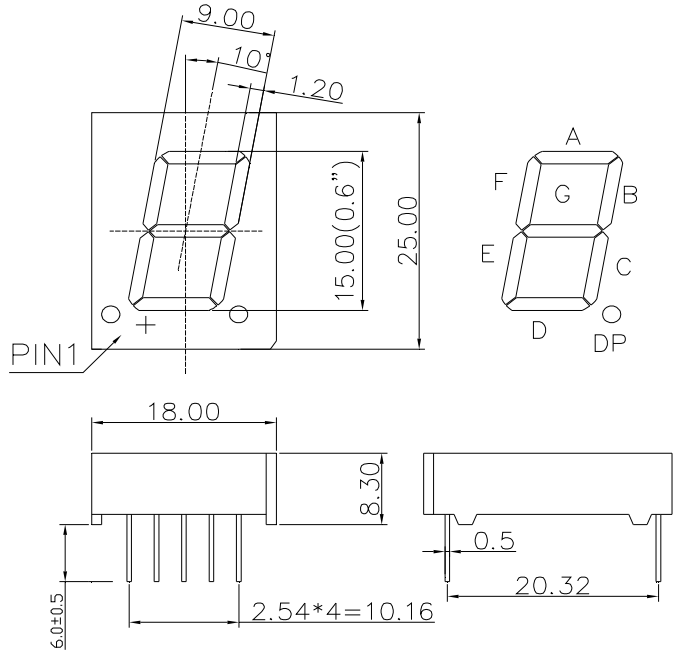
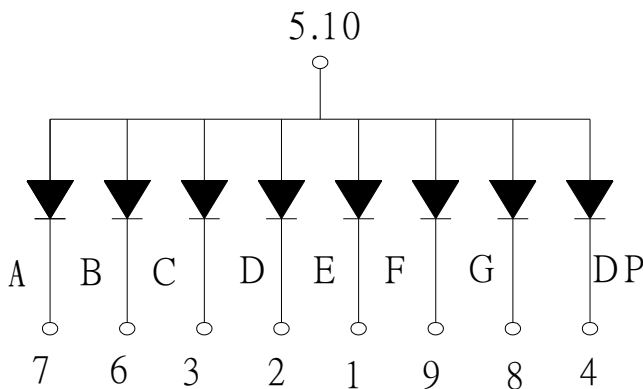
\*4 Tolerance of measurements of forward voltage is±0.1V

<b>0.6 Inch Single Digit Display</b>
<b>OSL10601-IX (Common Anode type)</b>
<b>OSL10601-LX (Common Cathode type)</b>

**Package Dimensions and Pin Function**

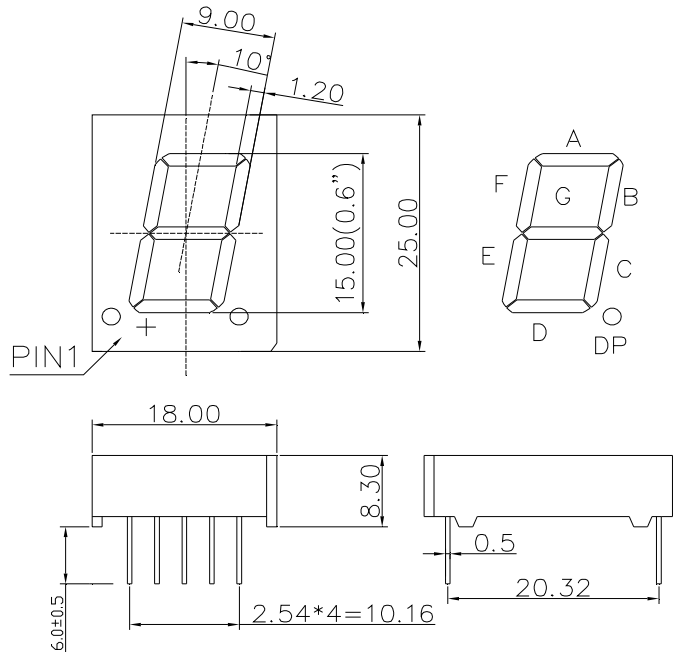
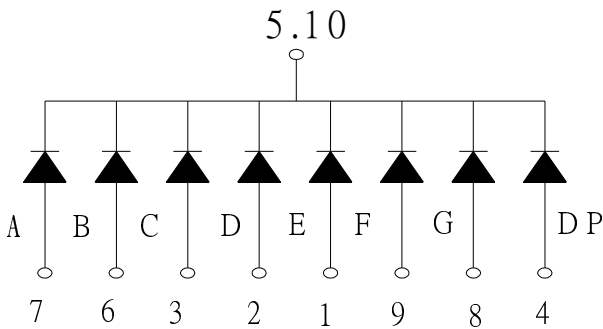
**OSL10601-IX  
(Common Anode type)**

Note:  
1, Unit : mm (Tolerance:  $\pm 0.25$ mm unless otherwise noted)  
2, The slope angle of any PIN may be  $\pm 5.0^\circ$  Max



**OSL10601-LX  
(Common Cathode type)**

Note:  
1, Unit : mm (Tolerance:  $\pm 0.25$ mm unless otherwise noted)  
2, The slope angle of any PIN may be  $\pm 5.0^\circ$  Max



## X-ON Electronics

Largest Supplier of Electrical and Electronic Components

*Click to view similar products for [Optosupply](#) manufacturer:*

Other Similar products are found below :

[OECCDD01-300](#) [OEHW2030GF](#) [OEHW2045GF](#) [OEHW2060GF](#) [OEHW2090GF](#) [OKLEDT3050G5V](#) [OKLEDT3050RBV](#)  
[OKLEDT3050RBW](#) [OKLEDT3050RPV](#) [OKLEDT3050RPW](#) [OKLEDT3050WAW](#) [OKLEDT30606A](#) [OKLEDT3100B5](#) [OKLEDT3100G8](#)  
[OKLEDT3100M3](#) [OKLEDT3100M4](#) [OKLEDT3100R6](#) [OKLEDT3100W6](#) [OKLEDT3100Y5](#) [OKLEDT31203A](#) [OKLEDT31206A](#)  
[OKLEDT5050B5W](#) [OKLEDT5050G5W](#) [OKLEDT5050RBV](#) [OKLEDT5050RBW](#) [OKLEDT5050RPW](#) [OKLEDT5050TAW](#)  
[OKLEDT5050WAV](#) [OKLEDT50606A](#) [OKLEDT50606B](#) [OKLEDT5100B5](#) [OKLEDT5100G8](#) [OKLEDT5100M3](#) [OKLEDT5100R6](#)  
[OKLEDT5100W6](#) [OKLEDT5100WA](#) [OKLEDT5100Y5](#) [OKLEDT51203A](#) [OKLEDT8050G5V](#) [OKLEDT8050G5W](#) [OKLEDT8050M3V](#)  
[OKLEDT8050R5V](#) [OKLEDT8050RBV](#) [OKLEDT8050RPW](#) [OKLEDT8050WAW](#) [OPDK-G5DA8B31F](#) [OPDK-W5DK8B31F](#) [OPDK-](#)  
[Y5CA8B31F](#) [OPDO-M5DK8B31F](#) [OS2MDK3131A](#)