



ELECTRONICS, INC.
 44 FARRAND STREET
 BLOOMFIELD, NJ 07003
 (973) 748-5089

NTE361 Silicon NPN Transistor RF Power Output $P_O = 2W @ 512MHz$

Description:

The NTE361 is a silicon NPN transistor designed for 12.5 Volt UHF large-signal amplifier applications in industrial and commercial FM equipment operating to 512MHz.

Features:

- Specified 12.5 Volt, 470MHz Characteristics:
 Output Power = 2.0 Watts
 Minimum Gain = 8.0dB
 Efficiency = 50%
- Characterized with Series Equivalent Large-Signal Impedance Parameters
- Grounded Emitter TO39 Package for High Gain and Excellent Heat Dissipation
- Replaces Medium-Power Stud Mounted Devices

Absolute Maximum Ratings:

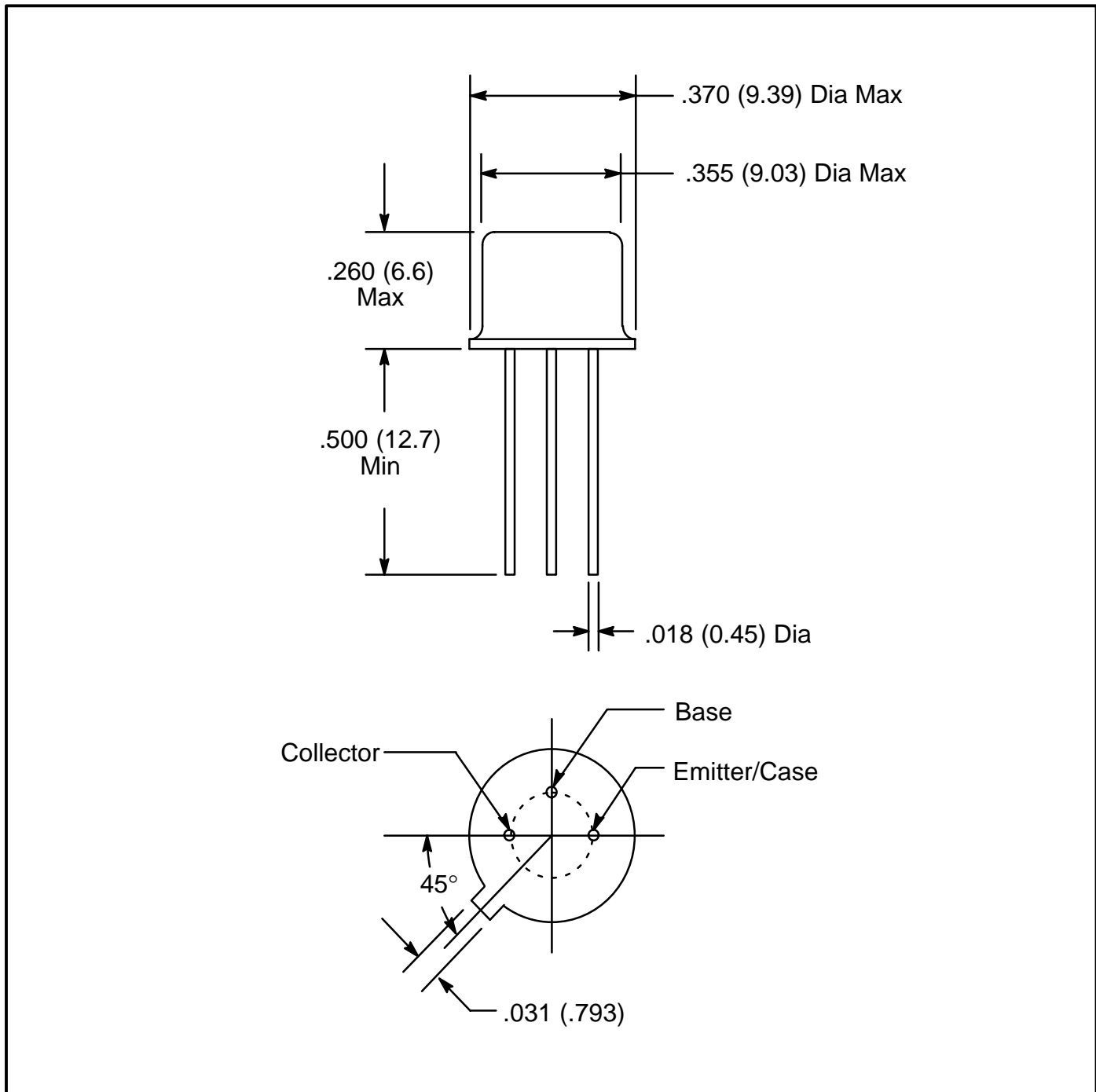
Collector-Emitter Voltage, V_{CEO}	16V
Collector-Base Voltage, V_{CBO}	36V
Emitter-Base Voltage, V_{EBO}	4V
Collector Current-Continuous, I_C	400mA
Total Device Dissipation @ $T_C = 25^\circ C$, P_D	8W
Derate Above $25^\circ C$	46mW/ $^\circ C$
Storage Temperature Range, T_{stg}	-65° to $+200^\circ C$

Electrical Characteristics: ($T_C = +25^\circ C$ unless otherwise specified)

Parameter	Symbol	Test Conditions	Min	Typ	Max	Unit
OFF Characteristics						
Collector-Emitter Breakdown Voltage	$V_{(BR)CEO}$	$I_C = 50mA, I_B = 0$	16	-	-	V
	$V_{(BR)CES}$	$I_C = 50mA, V_{BE} = 0$	36	-	-	V
Emitter-Base Breakdown Voltage	$V_{(BR)EBO}$	$I_E = 1mA, I_C = 0$	4	-	-	V
Collector Cutoff Current	I_{CBO}	$V_{CB} = 15V, I_E = 0$	-	-	1.0	mA

Electrical Characteristics (Cont'd): ($T_C = +25^\circ\text{C}$ unless otherwise specified)

Parameter	Symbol	Test Conditions	Min	Typ	Max	Unit
ON Characteristics						
DC Current Gain	h_{FE}	$V_{CE} = 5V, I_C = 100mA$	20	–	200	
Dynamic Characteristics						
Output Capacitance	C_{ob}	$V_{CB} = 12.5V, I_E = 0, f = 1MHz$	–	–	15	pF
Functional Test						
Common–Emitter Amplifier Power Gain	G_{PE}	$P_{OUT} = 2W, V_{CC} = 12.5V, f = 470MHz$	8.0	–	–	dB
Collector Efficiency	η	$P_{OUT} = 2W, V_{CC} = 12.5V, f = 470MHz$	50	–	–	%



X-ON Electronics

Largest Supplier of Electrical and Electronic Components

Click to view similar products for [Bipolar Transistors - BJT category](#):

Click to view products by [NTE manufacturer](#):

Other Similar products are found below :

[619691C](#) [MCH4017-TL-H](#) [MJ15024/WS](#) [MJ15025/WS](#) [BC546/116](#) [BC556/FSC](#) [BC557/116](#) [BSW67A](#) [HN7G01FU-A\(T5L,F,T](#)
[NJVMJD148T4G](#) [NSVMMBT6520LT1G](#) [NTE187A](#) [NTE195A](#) [NTE2302](#) [NTE2330](#) [NTE2353](#) [NTE316](#) [IMX9T110](#) [NTE63](#) [NTE65](#)
[C4460](#) [SBC846BLT3G](#) [2SA1419T-TD-H](#) [2SA1721-O\(TE85L,F\)](#) [2SA1727TLP](#) [2SA2126-E](#) [2SB1202T-TL-E](#) [2SB1204S-TL-E](#) [2SC5488A-](#)
[TL-H](#) [2SD2150T100R](#) [SP000011176](#) [FMC5AT148](#) [2N2369ADCSM](#) [2SB1202S-TL-E](#) [2SC2412KT146S](#) [2SC4618TLN](#) [2SC5490A-TL-H](#)
[2SD1816S-TL-E](#) [2SD1816T-TL-E](#) [CMXT2207 TR](#) [CPH6501-TL-E](#) [MCH4021-TL-E](#) [BC557B](#) [TTC012\(Q\)](#) [BULD128DT4](#) [JANTX2N3810](#)
[Jantx2N5416](#) [US6T6TR](#) [KSF350](#) [068071B](#)