

M12 female 0° A-cod. screw terminal5-pol., max. 0,75mm², 4 - 6mm

Art.No.: 7000-12921-0000000

Weight: 0.03

Country of origin: DE

Model designation: MSB-U7

Female straight

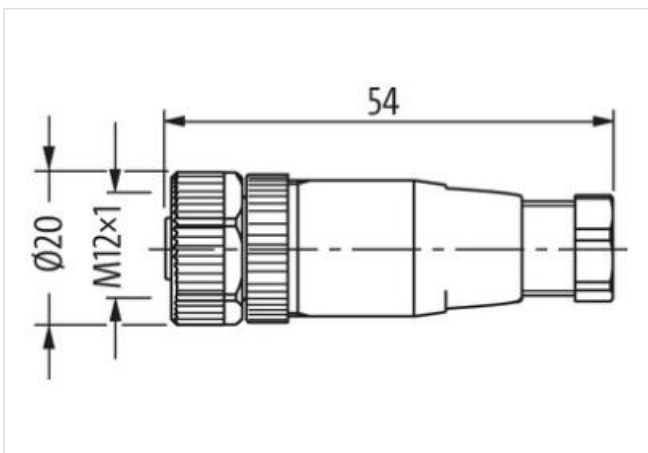
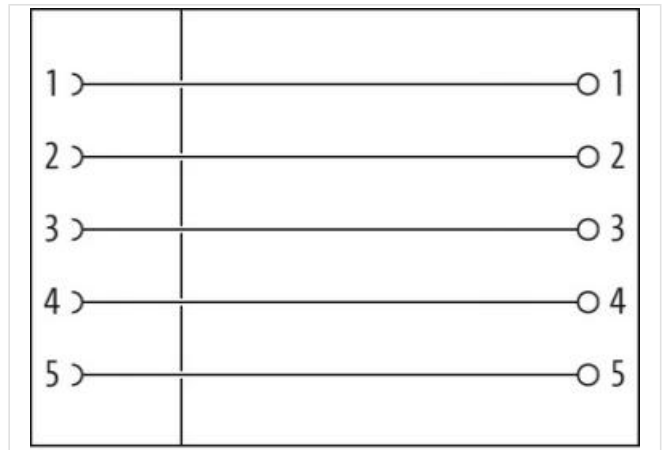
M12, 5-pole

Screw terminals

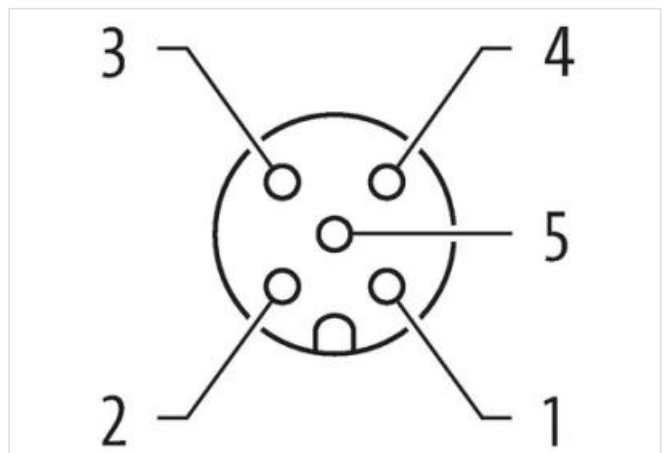
Sealing range (cable Ø): 4...6 mm

Plastic housings with good resistance against chemicals and oils.

The resistance to aggressive media should be individually tested for your application. Further details on request.

[Link to Product](#)**Illustration**

Product may differ from Image

**Side 1**

Family construction form

M12

Degree of protection (EN IEC 60529) IP67

Commercial data

ECLASS-6.0	27279221
ECLASS-6.1	27260702
ECLASS-7.0	27440102
ECLASS-8.0	27440102
ECLASS-9.0	27440116
ECLASS-10.1	27440102
ECLASS-11.1	27440102
ECLASS-12.0	27440116
ETIM-5.0	EC002635
customs tariff number	85366990
GTIN	4048879201551
Packaging unit	1

Electrical data | Supply

Operating voltage AC max.	60 V
Operating voltage DC max.	60 V
Operating voltage AC max. (UL-listed)	125 V
Operating voltage DC max. (UL-listed)	125 V
Current operating per contact max.	4 A
Current operating per contact max. (URc.)	3 A

InstallationConnection cross section max. 0,75 mm²**Installation | Connection**

Tightening torque	0,6 Nm
Width across flats	SW18

Device protection | Electrical

Additional condition protection degree	inserted, screwed
Pollution Degree	3
Rated surge voltage	1,5 kV
Overvoltage category (EN 60664-1)	III
Overvoltage category (EN 60950-1)	II

Mechanical data | Material data

Material housing PA

Mechanical data | Mounting data

Mounting method	inserted, screwed, Shaking protection
Clamping range min.	4 mm
Clamping range max.	6 mm
Height	54 mm
Width	20 mm
Depth	20 mm

Environmental characteristics | Climatic

Operating temperature min.	-40 °C
Operating temperature max.	85 °C

Important installation notes

Note on strain relief	Protect the connectors by suitable measures from mechanical loads, e.g. by the usage of cable ties.
Note on bending radius	Attention: Observe the permissible bending radii when laying cables, as the IP protection class can be endangered by excessive bending forces.

X-ON Electronics

Largest Supplier of Electrical and Electronic Components

Click to view similar products for [Circular Metric Connectors](#) category:

Click to view products by [Murr Elektronik](#) manufacturer:

Other Similar products are found below :

[600X518037X](#) [8R5000A16M005](#) [1-3637-600-5205](#) [1545399](#) [1A4000-348](#) [8R5006A18A120](#) [1R3006A20M005](#) [1R3006A20M030](#) [RF-12PIN8A80DU](#) [RF-12PIN8A90DU](#) [41-01016](#) [4-22279-4](#) [4-22281-1](#) [4-22284-9](#) [41-40005](#) [XS3P-M421-2](#) [SACC-DSI-FS-5P-PG9-L180 SC](#) [8R5006A16M020](#) [8R5006A16M005](#) [7A3006-32](#) [1R3004A20A1201](#) [N03FA03144](#) [1406328](#) [XS2RD4265](#) [080804EMF00000](#) [XS2R-D426-1](#) [XS8A-0441](#) [2273142-2](#) [41-50000](#) [41-50002](#) [ASB 8-S3064/5 M](#) [43-02534](#) [MA1LKE1700](#) [1400943](#) [8R4006A16M020](#) [WR8U26E02C300](#) [8R5000A16M020](#) [1R3000A20M050](#) [884A30K05M006](#) [1200910005](#) [1201010003](#) [2168083-2](#) [RC-Z2062](#) [SACC-MSQ-M12MS-25-3 2 SCO](#) [SACC-E-FSB-5CON-M16/0 5 SC](#) [SACC-DSI-FS-4CON-PG9/2 0UL](#) [SACC-1/2 NPT-LOCKNUT](#) [BEDC854NN0000052A000](#) [BKUA854NN0086155A000](#) [T4145515021-002](#)