

**PLEASE CHECK WWW.MOLEX.COM FOR LATEST PART INFORMATION**

**Part Number:** [5025850674](#)  
**Status:** **Active**  
**Overview:** CLIK-Mate Wire-to-Board Connectors  
**Description:** 1.50mm Pitch, CLIK-Mate PCB Receptacle, Single Row, Surface Mount, Right-Angle, Tin Plating, Positive Lock, 6 Circuits, Blue

**Documents:**

<a href="#">3D Model</a>	<a href="#">Product Specification 5025781000-PS-JAP-000 (PDF)</a>
<a href="#">3D Model (PDF)</a>	<a href="#">Application Specification AS-502578-001-001 (PDF)</a>
<a href="#">Drawing (PDF)</a>	<a href="#">Packaging Specification SPK-502585-001-001 (PDF)</a>
<a href="#">Product Specification 5025780000-PS-000 (PDF)</a>	<a href="#">RoHS Certificate of Compliance (PDF)</a>
<a href="#">Product Specification 5025781000-PS-CHI-000 (PDF)</a>	

**Agency Certification**

UL E29179

**General**

Product Family	PCB Receptacles
Series	<a href="#">502585</a>
Application	Signal, Wire-to-Board
Overview	<a href="#">CLIK-Mate Wire-to-Board Connectors</a>
Product Name	CLIK-Mate
UPC	800756777559

**Physical**

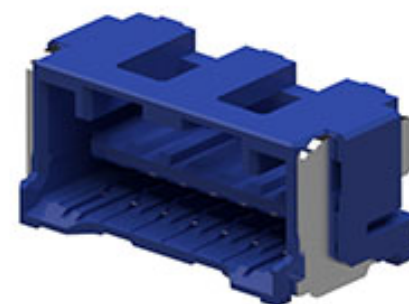
Circuits (Loaded)	6
Circuits (maximum)	6
Color - Resin	Blue
Durability (mating cycles max)	30
Flammability	SC-0
Glow-Wire Capable	No
Guide to Mating Part	Yes
Keying to Mating Part	None
Lock to Mating Part	Yes
Mated Height	6.40mm
Material - Metal	Copper Alloy
Material - Plating Mating	Tin
Net Weight	685.601/mg
Number of Rows	1
Orientation	Right Angle
PCB Locator	No
PCB Retention	Yes
Packaging Type	Embossed Tape on Reel
Pitch - Mating Interface	1.50mm
Pitch - Termination Interface	1.50mm
Polarized to Mating Part	Yes
Polarized to PCB	No
Stackable	No
Temperature Range - Operating	-40° to +105°C
Termination Interface: Style	Surface Mount

**Electrical**

Current - Maximum per Contact	2.0A
Voltage - Maximum	100V

**Material Info**

**Reference - Drawing Numbers**



*Series image - Reference only*

**EU ELV**

**Not Relevant**

**EU RoHS**

**Compliant**

**REACH SVHC**

Not Contained Per -  
D(2021)4569-DC (8  
July 2021)

**Halogen-Free**

**Status**

**Not Low-Halogen**

For more information, please visit [Contact US](#)

China ROHS

ELV

RoHS Phthalates

**China RoHS**

Green Image

Not Relevant

Not Contained

**Search Parts in this Series**

[502585 Series](#)

**Mates With**

CLIK-Mate Housing [502578](#) . CLIK-Mate  
Cable Assembly [15135](#)

Application Specification  
Packaging Specification  
Product Specification

Sales Drawing

AS-502578-001-001  
SPK-502585-001-001  
5025780000-PS-000, 5025781000-PS-CHI-000,  
5025781000-PS-JAP-000  
5025850000-SD-000

This document was generated on 01/17/2022

**PLEASE CHECK [WWW.MOLEX.COM](http://WWW.MOLEX.COM) FOR LATEST PART INFORMATION**

## X-ON Electronics

Largest Supplier of Electrical and Electronic Components

*Click to view similar products for [Headers & Wire Housings](#) category:*

*Click to view products by [Molex](#) manufacturer:*

Other Similar products are found below :

[892-18-020-10-001101](#) [58102-G61-06LF](#) [582553-1](#) [0009485154](#) [009176003701906](#) [0050291907](#) [LY20-4P-DT1-P1E-BR](#) [02.125.8002.8](#)  
[609-3404](#) [61062-3](#) [61082-181009](#) [622-3653LF](#) [63453-116](#) [636-1030](#) [636-1427](#) [636-3427](#) [636-4007](#) [641938-9](#) [641991-4](#) [644827-2](#) [65817-](#)  
[010LF](#) [65817-015LF](#) [65863-015LF](#) [66207-023LF](#) [67095-007LF](#) [67601157](#) [68648-049](#) [70.362.1628.0](#) [70-4210](#) [70-4226B](#) [70-4853B](#) [707-](#)  
[5020](#) [707-5028](#) [71.350.2428.0](#) [71918-208LF](#) [71961-016LF](#) [733-134](#) [733-162](#) [754199-000](#) [760-3052](#) [787-8014-00](#) [79531-3000](#) [FCN-](#)  
[360C032-B](#) [FCN-367T-T012/H](#) [FCN-723D010/2](#) [80.063.4001.1](#) [800-90-001-10-001000](#) [800-90-010-10-002000](#) [801-43-002-10-013000](#)  
[801-43-006-10-002000](#)