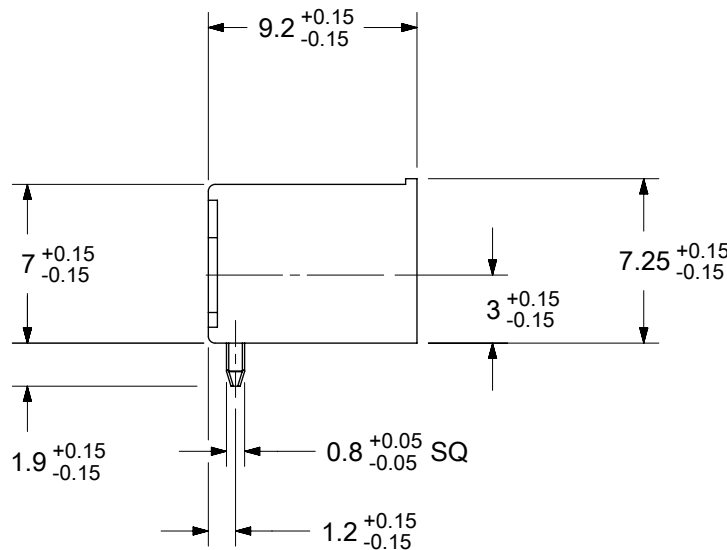
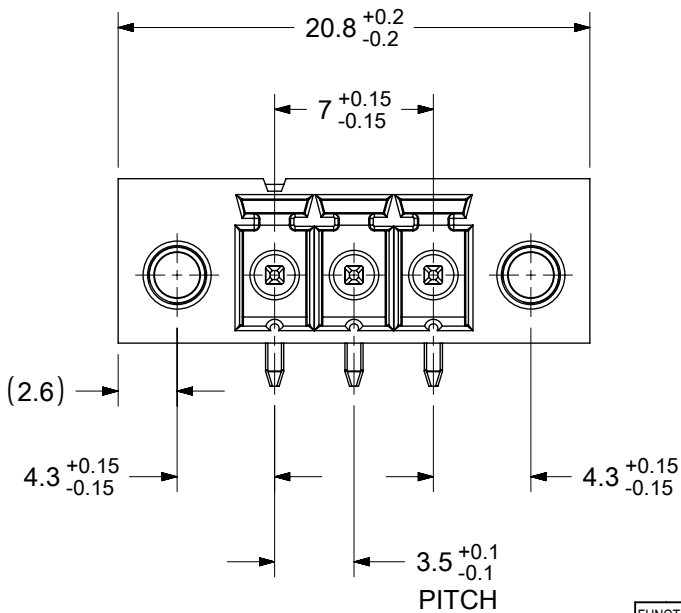


PCB LAYOUT



SPECIFICATIONS

MATERIAL:

- 1. HOUSING: PA46 GF UL94V-0
- 2. TERMINAL: TIN PLATED COPPER ALLOY

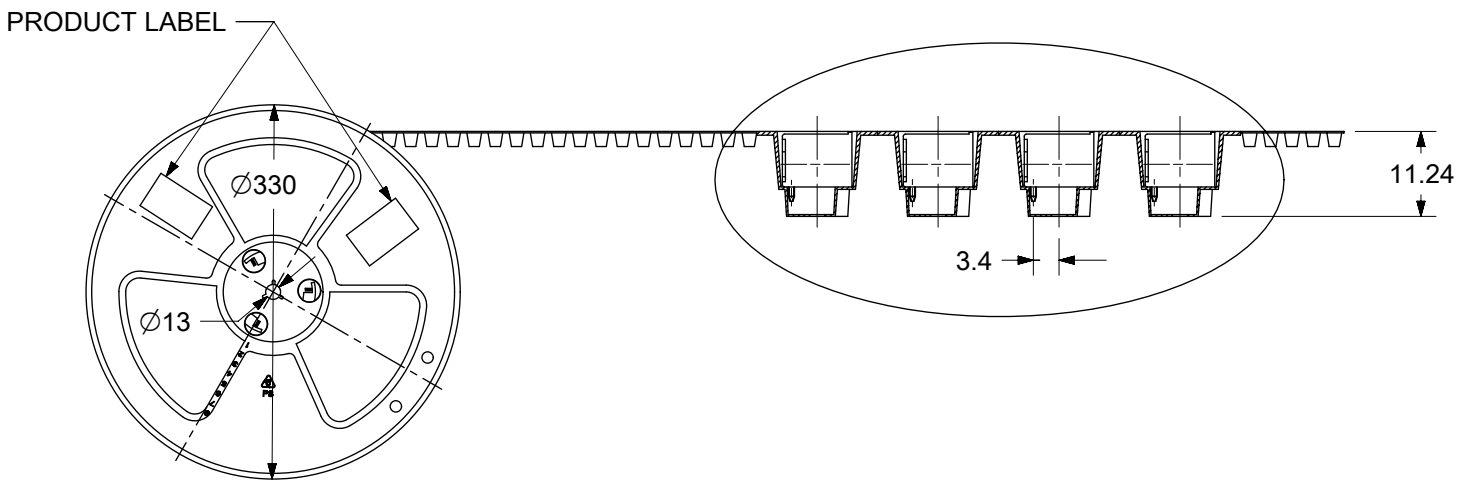
ELECTRICAL RATINGS:

- 1. MAXIMUM VOLTAGE: 300V (PER UL)
- 2. MAXIMUM CURRENT: 11A (PER UL)

FUNCTIONAL SYMBOLS	THIS DRAWING CONTAINS INFORMATION THAT IS PROPRIETARY TO MOLEX ELECTRONIC TECHNOLOGIES, LLC AND SHOULD NOT BE USED WITHOUT WRITTEN PERMISSION										
	DIMENSION UNITS		SCALE		CURRENT REV DESC: INITIAL RELEASE						
	mm		3:1								
	GENERAL TOLERANCES (UNLESS SPECIFIED)										3.50MM PITCH HEADER, 3 POLES HORIZONTAL, HIGH TEMP HOUSING, TAPE & REEL PACKAGING
ANGULAR TOL		± °		EC NO: 645226					PRODUCT CUSTOMER DRAWING		
4 PLACES		± ---		DRWN: ABENJAMINLW 2020/07/13					DOCUMENT NUMBER		
3 PLACES		± ---		CHK'D: DACHAMMER 2020/09/10					395063003		
2 PLACES		± ---		APPR: JFMURPHY 2020/10/19					DOC TYPE		
1 PLACE		± ---		INITIAL REVISION:					PSD		
0 PLACES		± ---		DRWN: ABENJAMINLW 2020/07/13					DOC PART		
DRAFT WHERE APPLICABLE MUST REMAIN WITHIN DIMENSIONS		THIRD ANGLE PROJECTION		DRAWING		SERIES		CUSTOMER		REVISION	
				A-SIZE		39506		395063003		A	
										SHEET NUMBER	
										1 OF 2	

DOCUMENT STATUS	P1	RELEASE DATE	2020/10/19	17:06:28
-----------------	----	--------------	------------	----------

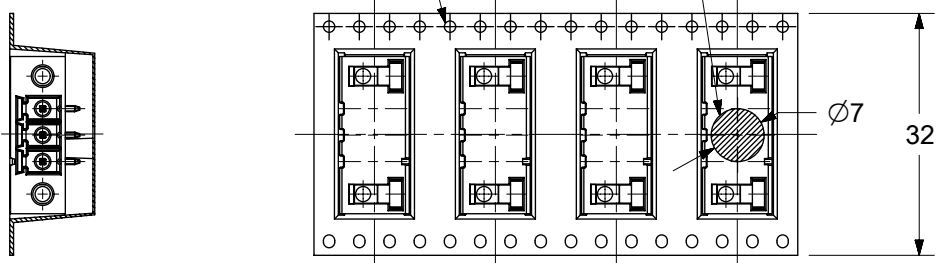
D



C

SPROCKET HOLES PICK & PLACE AREA

TAPE & REEL PACKAGING DETAILS



B

A

FUNCTIONAL SYMBOLS	THIS DRAWING CONTAINS INFORMATION THAT IS PROPRIETARY TO MOLEX ELECTRONIC TECHNOLOGIES, LLC AND SHOULD NOT BE USED WITHOUT WRITTEN PERMISSION												
	$\frac{E}{A} = 0$ $\frac{E}{E} = 0$ $\frac{E}{P} = 0$	DIMENSION UNITS	SCALE	CURRENT REV DESC: INITIAL RELEASE									
GENERAL TOLERANCES (UNLESS SPECIFIED)		mm	1:1	EC NO: 645226									3.50MM PITCH HEADER, 3 POLES HORIZONTAL, HIGH TEMP HOUSING, TAPE & REEL PACKAGING
ANGULAR TOL		±	°	DRWN: ABENJAMINLW 2020/07/13							PRODUCT CUSTOMER DRAWING		
DIVISIONAL SYMBOLS		4 PLACES	±	---	CHK'D: DACHAMMER 2020/09/10								DOCUMENT NUMBER: 395063003 DOC TYPE: PSD DOC PART: 000 REVISION: A
		3 PLACES	±	---	APPR: JFMURPHY 2020/10/19							INITIAL REVISION: DRWN: ABENJAMINLW 2020/07/13 APPR: JFMURPHY 2020/10/19	
		2 PLACES	±	---	MATERIAL NUMBER: 395063003								
		1 PLACE	±	---	SERIES: A-SIZE 39506							SHEET NUMBER: 2 OF 2	
		0 PLACES	±	---	THIRD ANGLE PROJECTION								
		DRAFT WHERE APPLICABLE MUST REMAIN WITHIN DIMENSIONS		THIRD ANGLE PROJECTION		DRAWING: A-SIZE		SERIES: 39506		MATERIAL NUMBER: 395063003			

X-ON Electronics

Largest Supplier of Electrical and Electronic Components

Click to view similar products for [Headers & Wire Housings](#) category:

Click to view products by [Molex](#) manufacturer:

Other Similar products are found below :

[892-18-020-10-001101](#) [58102-G61-06LF](#) [582553-1](#) [0009485154](#) [009176003701906](#) [0050291907](#) [LY20-4P-DT1-P1E-BR](#) [02.125.8002.8](#)
[609-3404](#) [61062-3](#) [622-0430](#) [622-3653LF](#) [63453-116](#) [636-1030](#) [636-1427](#) [636-3427](#) [636-4007](#) [641938-9](#) [641991-4](#) [644827-2](#) [65817-010LF](#)
[65817-015LF](#) [65863-015LF](#) [66207-023LF](#) [67095-007LF](#) [67601157](#) [68648-049](#) [70.362.1628.0](#) [70-4210](#) [70-4226B](#) [70-4853B](#) [707-5020](#) [707-](#)
[5028](#) [71.350.2428.0](#) [71918-208LF](#) [71961-016LF](#) [733-134](#) [733-162](#) [754199-000](#) [760-3052](#) [787-8014-00](#) [79531-3000](#) [FCN-360C032-B](#) [FCN-](#)
[367T-T012/H](#) [FCN-723D010/2](#) [80.063.4001.1](#) [800-90-001-10-001000](#) [800-90-010-10-002000](#) [801-43-002-10-013000](#) [801-43-006-10-002000](#)