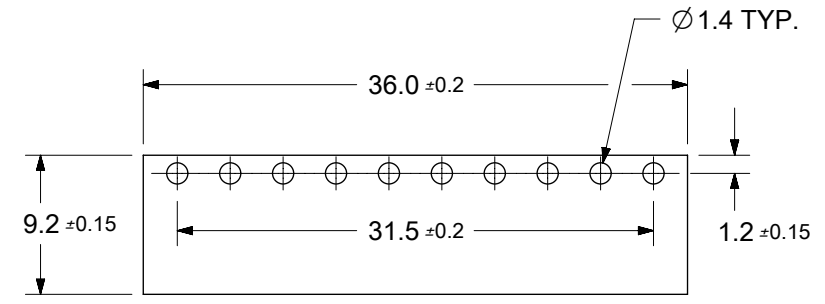
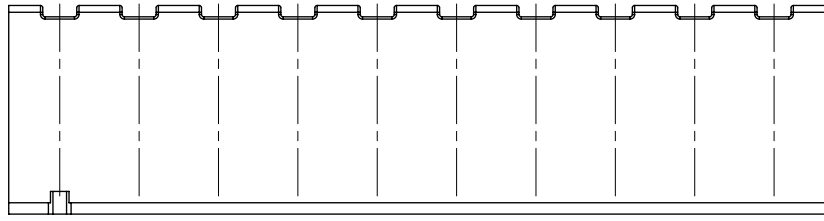


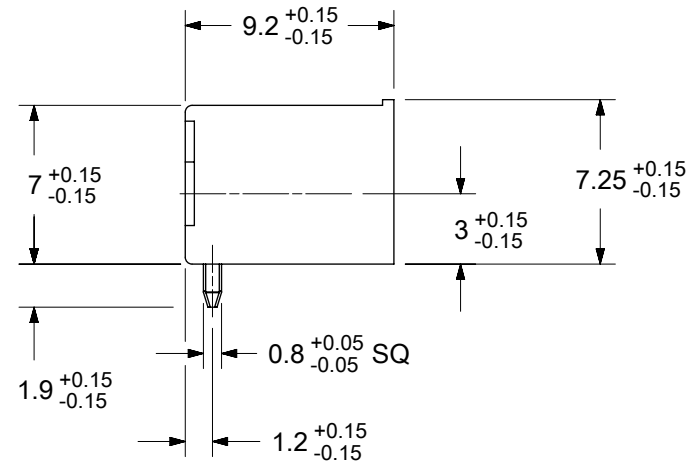
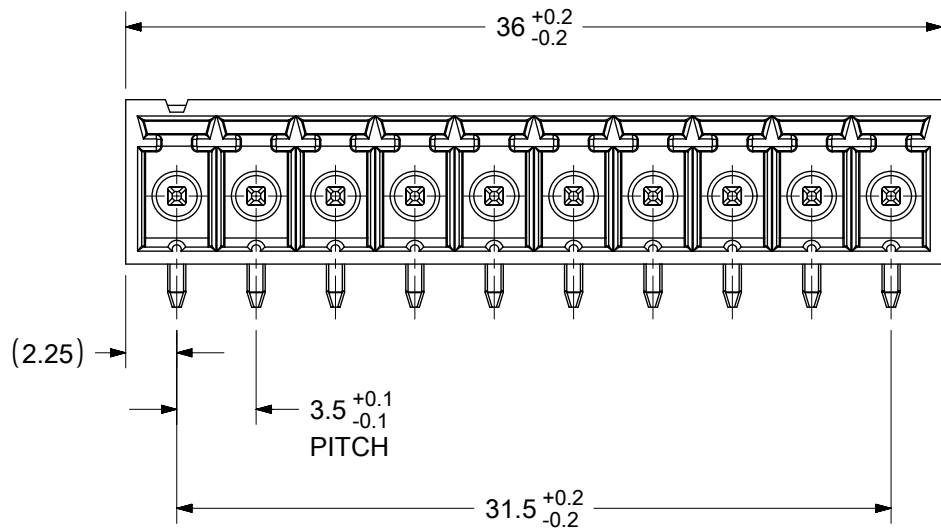
6 5 4 3 2 1

D



PCB LAYOUT
(SCALE 2:1)

C



B

SPECIFICATIONS

MATERIAL:

- 1. HOUSING: PA46 GF UL94V-0: COLOR: GREEN
- 2. TERMINAL: TIN PLATED COPPER ALLOY

ELECTRICAL RATINGS:

- 1. MAXIMUM VOLTAGE: 300V (PER UL)
- 2. MAXIMUM CURRENT: 11A (PER UL)

A

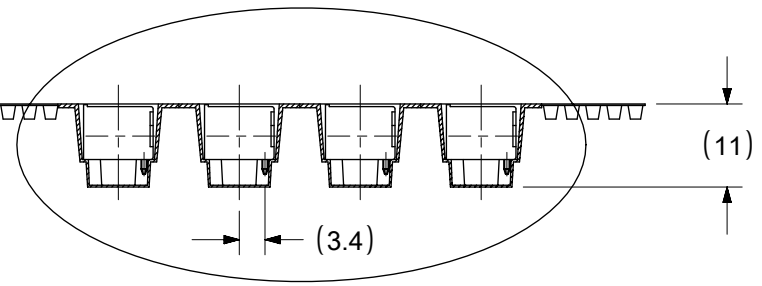
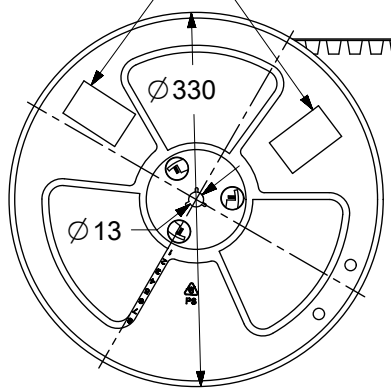
FUNCTIONAL SYMBOLS	THIS DRAWING CONTAINS INFORMATION THAT IS PROPRIETARY TO MOLEX ELECTRONIC TECHNOLOGIES, LLC AND SHOULD NOT BE USED WITHOUT WRITTEN PERMISSION																		
	DIMENSION UNITS		SCALE		CURRENT REV DESC: INITIAL RELEASE														
	mm		3:1																
	GENERAL TOLERANCES (UNLESS SPECIFIED)										EC NO: 645226 DRWN: ABENJAMINLW 2020/07/21 CHK'D: DACHAMMER 2020/09/10 APPR: JFMURPHY 2020/10/19 INITIAL REVISION: DRWN: ABENJAMINLW 2020/07/21 APPR: JFMURPHY 2020/10/19								
ANGULAR TOL ± °																			
DIVISIONAL SYMBOLS										DOCUMENT NUMBER			DOC TYPE		DOC PART		REVISION		
4 PLACES ± ---										395023010			PSD		000		A		
3 PLACES ± ---										MATERIAL NUMBER		CUSTOMER		SHEET NUMBER					
2 PLACES ± ---																			
1 PLACE ± ---																			
0 PLACES ± ---																			
DRAFT WHERE APPLICABLE MUST REMAIN WITHIN DIMENSIONS					THIRD ANGLE PROJECTION		DRAWING		SERIES		MATERIAL NUMBER		CUSTOMER		SHEET NUMBER				
							A-SIZE		39502		395023010				1 OF 2				

DOCUMENT STATUS	P1	RELEASE DATE	2020/10/19	17:06:27
-----------------	----	--------------	------------	----------

6 5 4 3 2 1

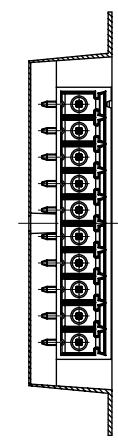
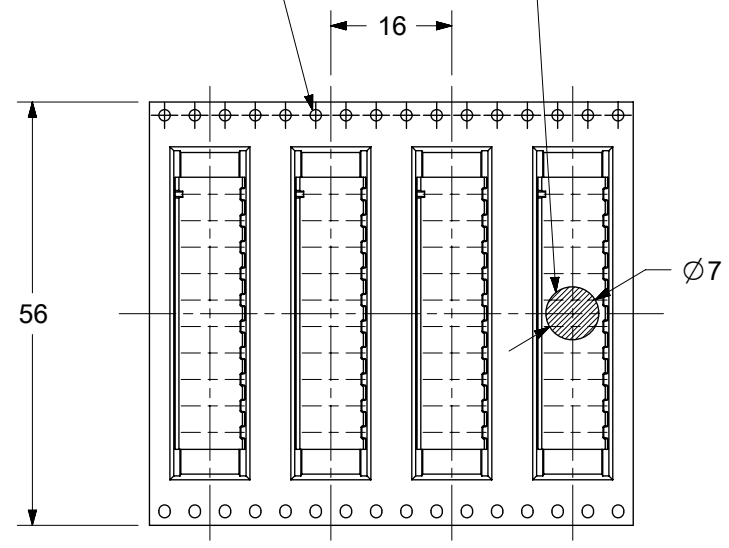
6 5 4 3 2 1

PRODUCT LABEL



SPROCKET HOLES

PICK & PLACE AREA



TAPE & REEL PACKAGING DETAILS

FUNCTIONAL SYMBOLS	THIS DRAWING CONTAINS INFORMATION THAT IS PROPRIETARY TO MOLEX ELECTRONIC TECHNOLOGIES, LLC AND SHOULD NOT BE USED WITHOUT WRITTEN PERMISSION											
	$\frac{E}{A} = 0$	DIMENSION UNITS	SCALE	CURRENT REV DESC: INITIAL RELEASE							molex	
$\frac{E}{C} = 0$	mm	1:1	GENERAL TOLERANCES (UNLESS SPECIFIED)							3.50MM PITCH HEADER, 10 POLES HORIZONTAL, HIGH TEMP HOUSING, TAPE & REEL PACKAGING		
$\frac{E}{P} = 0$	ANGULAR TOL ± °		EC NO: 645226							PRODUCT CUSTOMER DRAWING		
DIVISIONAL SYMBOLS	4 PLACES	±	---	DRWN: ABENJAMINLW 2020/07/21							DOCUMENT NUMBER	
	3 PLACES	±	---	CHK'D: DACHAMMER 2020/09/10							395023010	
	2 PLACES	±	---	APPR: JFMURPHY 2020/10/19							DOC TYPE	
	1 PLACE	±	---	INITIAL REVISION:							PSD	
	0 PLACES	±	---	DRWN: ABENJAMINLW 2020/07/21							000	
DRAFT WHERE APPLICABLE MUST REMAIN WITHIN DIMENSIONS			THIRD ANGLE PROJECTION		DRAWING	SERIES	MATERIAL NUMBER	CUSTOMER	REVISION			
					A-SIZE	39502	395023010		A			
SHEET NUMBER			2 OF 2									

DOCUMENT STATUS	P1	RELEASE DATE	2020/10/19	17:06:27
-----------------	----	--------------	------------	----------

6 5 4 3 2 1

X-ON Electronics

Largest Supplier of Electrical and Electronic Components

Click to view similar products for [Headers & Wire Housings](#) category:

Click to view products by [Molex](#) manufacturer:

Other Similar products are found below :

[892-18-020-10-001101](#) [58102-G61-06LF](#) [582553-1](#) [0009485154](#) [009176003701906](#) [0050291907](#) [LY20-4P-DT1-P1E-BR](#) [02.125.8002.8](#)
[609-3404](#) [61062-3](#) [622-0430](#) [622-3653LF](#) [63453-116](#) [636-1030](#) [636-1427](#) [636-3427](#) [636-4007](#) [641938-9](#) [641991-4](#) [644827-2](#) [65817-010LF](#)
[65817-015LF](#) [65863-015LF](#) [66207-023LF](#) [67095-007LF](#) [67601157](#) [68648-049](#) [70.362.1628.0](#) [70-4210](#) [70-4226B](#) [70-4853B](#) [707-5020](#) [707-](#)
[5028](#) [71.350.2428.0](#) [71918-208LF](#) [71961-016LF](#) [733-134](#) [733-162](#) [754199-000](#) [760-3052](#) [787-8014-00](#) [79531-3000](#) [FCN-360C032-B](#) [FCN-](#)
[367T-T012/H](#) [FCN-723D010/2](#) [80.063.4001.1](#) [800-90-001-10-001000](#) [800-90-010-10-002000](#) [801-43-002-10-013000](#) [801-43-006-10-002000](#)