

PLEASE CHECK WWW.MOLEX.COM FOR LATEST PART INFORMATION

Part Number: **0307004200**
Status: **Active**
Overview: H-DAC 64 Unsealed Connector System
Description: 2.54mm Pitch, H-DAC 64 High Density Automotive Header, Dual Row, Vertical, 20 Circuits, Polarization Option 1, Gray, Tray

Documents:

[3D Model](#) [Product Specification PS-30700-0001-001 \(PDF\)](#)
[3D Model \(PDF\)](#) [Packaging Specification PK-30907-260-001 \(PDF\)](#)
[Drawing \(PDF\)](#) [RoHS Certificate of Compliance \(PDF\)](#)

General

Product Family PCB Headers
Series 30700
Application Automotive, Power, Wire-to-Board
Comments Polarization Option 1
Overview H-DAC 64 Unsealed Connector System
Product Name H-DAC 64
UPC 800753023192

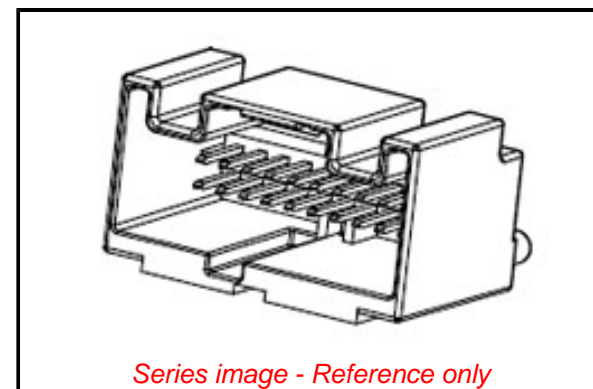
Physical

Breakaway No
Circuits (Loaded) 20
Circuits (maximum) 20
Color - Resin Gray
Durability (mating cycles max) 10
First Mate / Last Break No
Glow-Wire Capable No
Guide to Mating Part No
Keying to Mating Part None
Lock to Mating Part Yes
Material - Metal Copper
Material - Plating Mating Tin
Material - Plating Termination Nickel
Material - Resin Modified Polystyrene
Net Weight 7.400/g
Number of Rows 2
Orientation Vertical
PC Tail Length 3.69mm
PCB Locator Yes
PCB Retention Yes
PCB Thickness - Recommended 1.57mm
Packaging Type Tray
Pitch - Mating Interface 2.54mm
Polarized to Mating Part Yes
Polarized to PCB Yes
Shrouded Fully
Stackable No
Surface Mount Compatible (SMC) No
Temperature Range - Operating -40° to +100°C
Termination Interface: Style Through Hole

Electrical

Current - Maximum per Contact 7.0A
Voltage - Maximum 500V DC

Solder Process Data



Series image - Reference only

EU ELV

Compliant

EU RoHS

Compliant

REACH SVHC

Not Contained Per -
D(2021)4569-DC (8
July 2021)

Halogen-Free

Status

Not Relevant

For more information, please visit [Contact US](#)

China ROHS

Not Relevant

ELV

Compliant

RoHS Phthalates

Not Contained

Search Parts in this Series

[30700 Series](#)

Mates With

H-DAC 64 Housing [307001207](#)

Duration at Max. Process Temperature (seconds)	040
Lead-freeProcess Capability	SMC&WAVE
Max. Cycles at Max. Process Temperature	003
Process Temperature max. C	260

Material Info

Reference - Drawing Numbers

Packaging Specification	PK-30907-260-001
Product Specification	PS-30700-0001-001
Sales Drawing	2L1T-14A624-AA1-001, SD-30700-420-001

This document was generated on 01/03/2022

PLEASE CHECK WWW.MOLEX.COM FOR LATEST PART INFORMATION

X-ON Electronics

Largest Supplier of Electrical and Electronic Components

Click to view similar products for [Automotive Connectors](#) category:

Click to view products by [Molex](#) manufacturer:

Other Similar products are found below :

[003-018-000](#) [60403001](#) [60993906-B](#) [M902-2131](#) [M902-2161](#) [72.330.1035.1](#) [73.353.4028.0](#) [F119300-B](#) [F166900](#) [F258300-B](#) [F358300-B](#)
[F407400](#) [F444110](#) [F487000](#) [F509500B-B](#) [827153-1](#) [8N1515-32-24P](#) [9-1326729-8](#) [925474-1](#) [928905-1](#) [964562-4](#) [968782-1](#) [GT17SA-8DS-](#)
[HU](#) [98891-1012](#) [98947-1016](#) [12004475-L](#) [12010290](#) [12010309-B](#) [12015454](#) [12020219-B](#) [12020308](#) [12041318-B](#) [12052225-L](#) [12052466](#)
[12059125](#) [12064869](#) [12004327-B](#) [12010503-B](#) [12015308](#) [12015384](#) [12015909](#) [1-21030-1](#) [12041254](#) [12041318](#) [12047946-B](#) [12047957](#)
[12047957-L](#) [12059473](#) [12066261](#) [12110546](#)