

**PLEASE CHECK WWW.MOLEX.COM FOR LATEST PART INFORMATION**

**Part Number:** **0307004162**  
**Status:** **Active**  
**Overview:** H-DAC 64 Unsealed Connector System  
**Description:** 2.54mm Pitch, H-DAC 64 High Density Automotive Header, Dual Row, Vertical, 16 Circuits, Polarization Option 3, Natural, Tray

**Documents:**

<a href="#">3D Model</a>	<a href="#">Product Specification PS-30700-0001-001 (PDF)</a>
<a href="#">Drawing (PDF)</a>	<a href="#">Packaging Specification PK-30907-260-001 (PDF)</a>
<a href="#">3D Model (PDF)</a>	<a href="#">RoHS Certificate of Compliance (PDF)</a>

**General**

Product Family	PCB Headers
Series	<u>30700</u>
Application	Automotive, Power, Wire-to-Board
Comments	Polarization Option 3
Overview	<u>H-DAC 64 Unsealed Connector System</u>
Product Name	H-DAC 64
UPC	800756066905

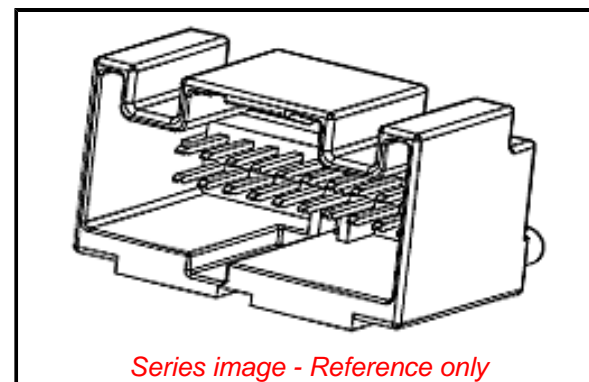
**Physical**

Breakaway	No
Circuits (Loaded)	16
Circuits (maximum)	16
Color - Resin	Natural
Durability (mating cycles max)	10
First Mate / Last Break	No
Glow-Wire Capable	No
Guide to Mating Part	No
Keying to Mating Part	None
Lock to Mating Part	Yes
Material - Metal	Copper
Material - Plating Mating	Tin
Material - Plating Termination	Nickel
Material - Resin	Modified Polystyrene
Net Weight	6.250/g
Number of Rows	2
Orientation	Vertical
PC Tail Length	3.69mm
PCB Locator	Yes
PCB Retention	Yes
PCB Thickness - Recommended	1.57mm
Packaging Type	Tray
Pitch - Mating Interface	2.54mm
Polarized to Mating Part	Yes
Polarized to PCB	Yes
Shrouded	Fully
Stackable	No
Surface Mount Compatible (SMC)	No
Temperature Range - Operating	-40° to +100°C
Termination Interface: Style	Through Hole

**Electrical**

Current - Maximum per Contact	7.0A
Voltage - Maximum	500V DC

**Solder Process Data**



**EU ELV**

**Compliant**

**EU RoHS**

**Compliant**

**REACH SVHC**

Not Contained Per -  
D(2020)9139-DC (19  
Jan 2021)

**Halogen-Free**

**Status**

**Not Relevant**

For more information, please visit [Contact US](#)

China ROHS

Not Relevant

ELV

Compliant

RoHS Phthalates

Not Contained

**Search Parts in this Series**

30700 Series

**Mates With**

H-DAC 64 Housing 307001169

Duration at Max. Process Temperature (seconds)	040
Lead-freeProcess Capability	SMC&WAVE
Max. Cycles at Max. Process Temperature	003
Process Temperature max. C	260

**Material Info**

**Reference - Drawing Numbers**

Packaging Specification	PK-30907-260-001
Product Specification	PS-30700-0001-001
Sales Drawing	SD-30700-420

This document was generated on 02/24/2021

**PLEASE CHECK [WWW.MOLEX.COM](http://WWW.MOLEX.COM) FOR LATEST PART INFORMATION**

## X-ON Electronics

Largest Supplier of Electrical and Electronic Components

*Click to view similar products for [Automotive Connectors](#) category:*

*Click to view products by [Molex](#) manufacturer:*

Other Similar products are found below :

[003-018-000](#) [60403001](#) [60993906-B](#) [M902-2131](#) [M902-2161](#) [72.330.1035.1](#) [73.353.4028.0](#) [F119300-B](#) [F166900](#) [F258300-B](#) [F358300-B](#)  
[F407400](#) [F444110](#) [F487000](#) [F509500B-B](#) [827153-1](#) [8N1515-32-24P](#) [9-1326729-8](#) [925474-1](#) [928905-1](#) [964562-4](#) [968782-1](#) [GT17SA-8DS-](#)  
[HU](#) [98891-1012](#) [98947-1016](#) [12004475-L](#) [12010290](#) [12010309-B](#) [12015454](#) [12020219-B](#) [12020308](#) [12041318-B](#) [12052225-L](#) [12052466](#)  
[12059125](#) [12064869](#) [12004327-B](#) [12010503-B](#) [12015308](#) [12015384](#) [12015909](#) [1-21030-1](#) [12041254](#) [12041318](#) [12047946-B](#) [12047957](#)  
[12047957-L](#) [12059473](#) [12066261](#) [12110546](#)