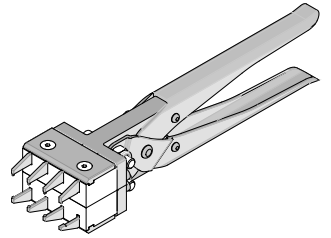


Order Number
200199-1480

molex®

Application Tooling Specification



FEATURES

- A pliers-type tool used for the extraction of the receptacle housing
- For receptacle terminal extraction, use tool 200199-1470

SCOPE

Products: Guardian Vertical Receptacle Assemblies, 5.15mm Pitch, 207279 Series.

Series Number	Receptacle Assembly Order Number			
207279	207279-0001	207279-0002	207279-0004	207279-0005
	207279-0006	207279-0010	207279-0015	207279-0019
	207279-0022			

DESCRIPTION

The 200199-1480 Guardian Vertical Receptacle Housing Extraction Tool is a pliers-type tool for extracting the receptacle housing from the printed circuit board. The tool is approximately 225mm (8.9") long by 38mm (1.5") wide (closed) by 60mm (2.3") thick, and it weighs 1 kg (2.2 lb.).

SETUP

This extraction tool can remove receptacle housings with 2-6 power circuits and a 25-circuit signal bay. A full set of housing clamp fingers is mounted in the tool jaws. See Figure 1.

Determine which housing is to be extracted. The tool's clamp fingers engage the small slots in the power area and the wide slot in the signal area. See Figure 2.

1. Use a 2.5mm hex wrench to remove the two M4 screws holding the clamp cover on the tool jaw.
2. Remove the unused clamp finger, turn it over and store it in the slot.
3. Repeat this process for the other unused clamp fingers.
4. **Note:** There are two special clamp fingers used for clamping the signal area of the housing. See Figure 3.
5. Replace the clamp cover and tighten the screws. See Figure 4.

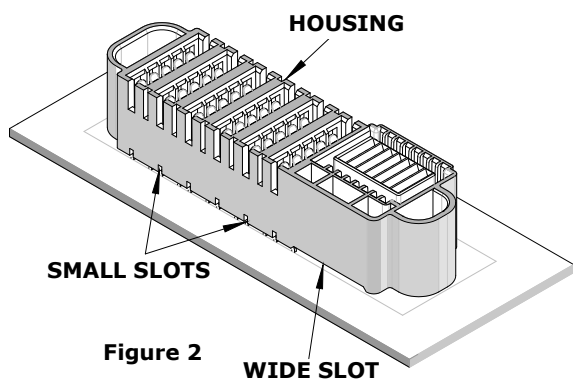


Figure 2

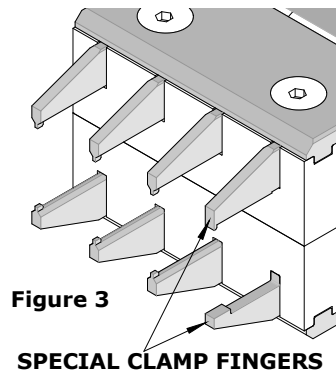


Figure 3

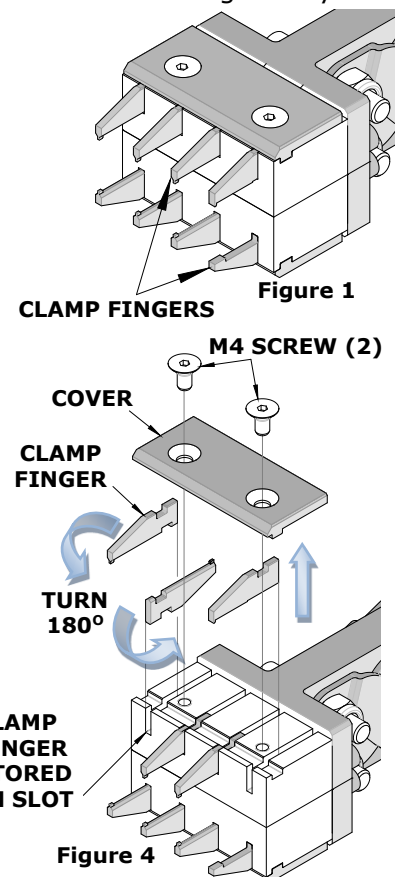


Figure 1

CLAMP FINGERS

M4 SCREW (2)

COVER

CLAMP FINGER

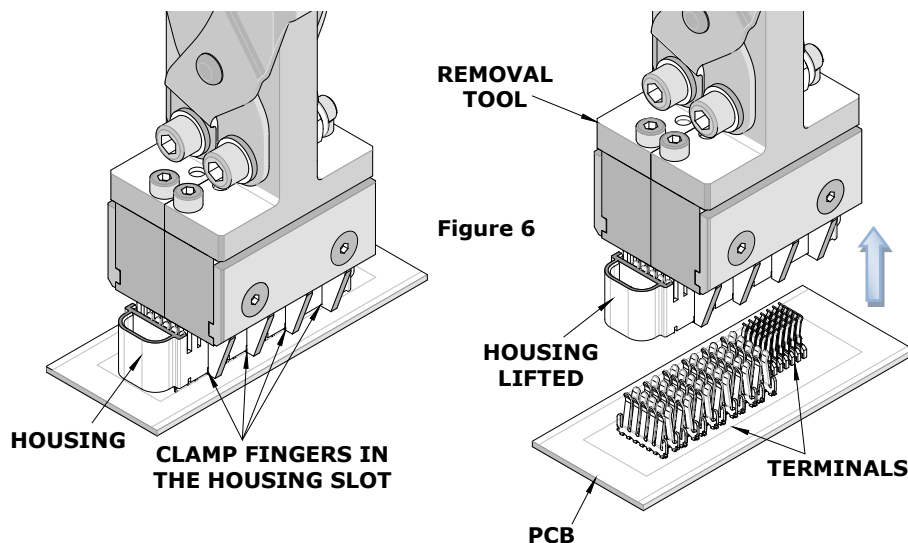
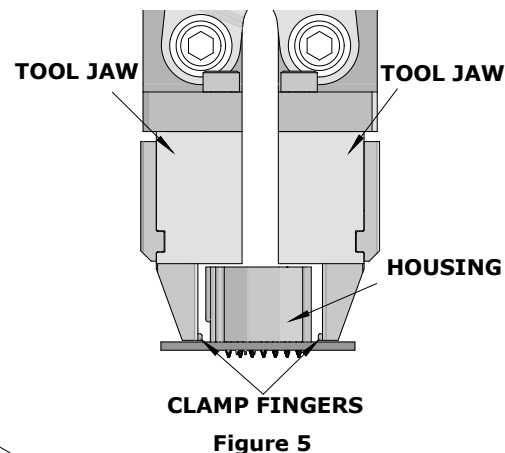
TURN 180°

CLAMP FINGER STORED IN SLOT

Figure 4

OPERATION

1. Open the tool jaws slightly wider than the receptacle housing.
2. Position the tips of the clamp fingers in line with the small slots at the base of the housing. See Figure 5.
3. Close the tool jaws. Make sure the tips of the clamp fingers entered the slots.
4. While holding the jaws closed, slightly rock the tool back and forth. Pull up to extract the housing. See Figure 6.
5. Use tool 200199-1470 to extract power terminals that remain in the PCB. Signal terminals can be extracted with a common needle-nose pliers.



MAINTENANCE

It is recommended that each operator of the tool be made aware of and responsible for the following maintenance steps:

1. Remove dust, moisture and other contaminants with a clean brush or a soft, lint-free cloth.
2. Do not use any abrasive materials that could damage the tool.
3. Make certain all pins, pivot points and bearing surfaces are protected with a thin coat of high-quality machine oil. Do not oil excessively.
4. When the tool is not in use, store it in a clean, dry area.
5. There are no repair parts available for this tool. Should the tool be damaged, a new tool is required.

CAUTION: Molex specifications are valid only when used with Molex connectors and tooling.

Application Tooling Support

Phone: (402) 458-TOOL (8665)

E-Mail: applicationtooling@molex.com

Website: www.molex.com/applicationtooling

Molex is a registered trademark of Molex, LLC in the United States of America and may be registered in other countries; all other trademarks listed herein belong to their respective owners.

X-ON Electronics

Largest Supplier of Electrical and Electronic Components

Click to view similar products for [Crimpers / Crimping Tools](#) category:

Click to view products by [Molex](#) manufacturer:

Other Similar products are found below :

[010-0096](#) [M225201-06](#) [M225202-37](#) [6-1579015-5](#) [CT150-2-D02](#) [CT150-6-RH07](#) [622-6441LF](#) [M322](#) [6-304052-1](#) [63456-0054](#) [63484-3701](#)
[63800-8355](#) [63819-1875](#) [63819-2875](#) [63819-4475](#) [63823-3475](#) [63827-5375](#) [64001-0975](#) [64001-4175](#) [64005-0175](#) [662903-2](#) [690602-6](#) [7-](#)
[1579001-9](#) [7-23471-1](#) [762637-1](#) [808714-1](#) [811242-5](#) [91362-1](#) [999-50-020083](#) [1-21002-3](#) [1-21002-7](#) [12085270](#) [1-21002-6](#) [1-21113-6](#) [1-](#)
[22548-4](#) [125442-1](#) [DCE.91.073.BVC](#) [DCE.91.090.3MVM](#) [DCE.91.130.5MVU](#) [DCE.91.202.BVCM](#) [1338300-1](#) [1-354003-0](#) [1338301-1](#)
[DF62/RE-MD](#) [142321](#) [AP105-DF11-2428S\(64\)](#) [1456088-1](#) [1490794-1](#) [1-45804-6](#) [1490357-2](#)