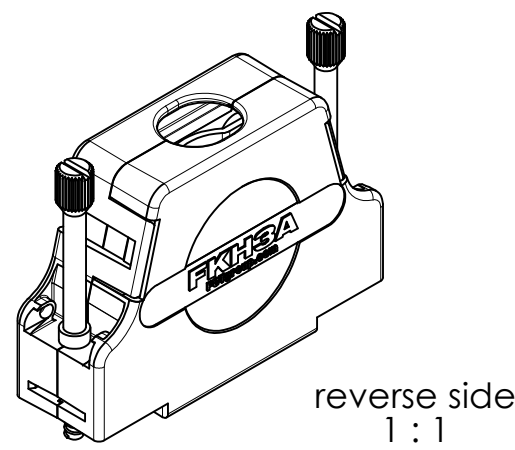
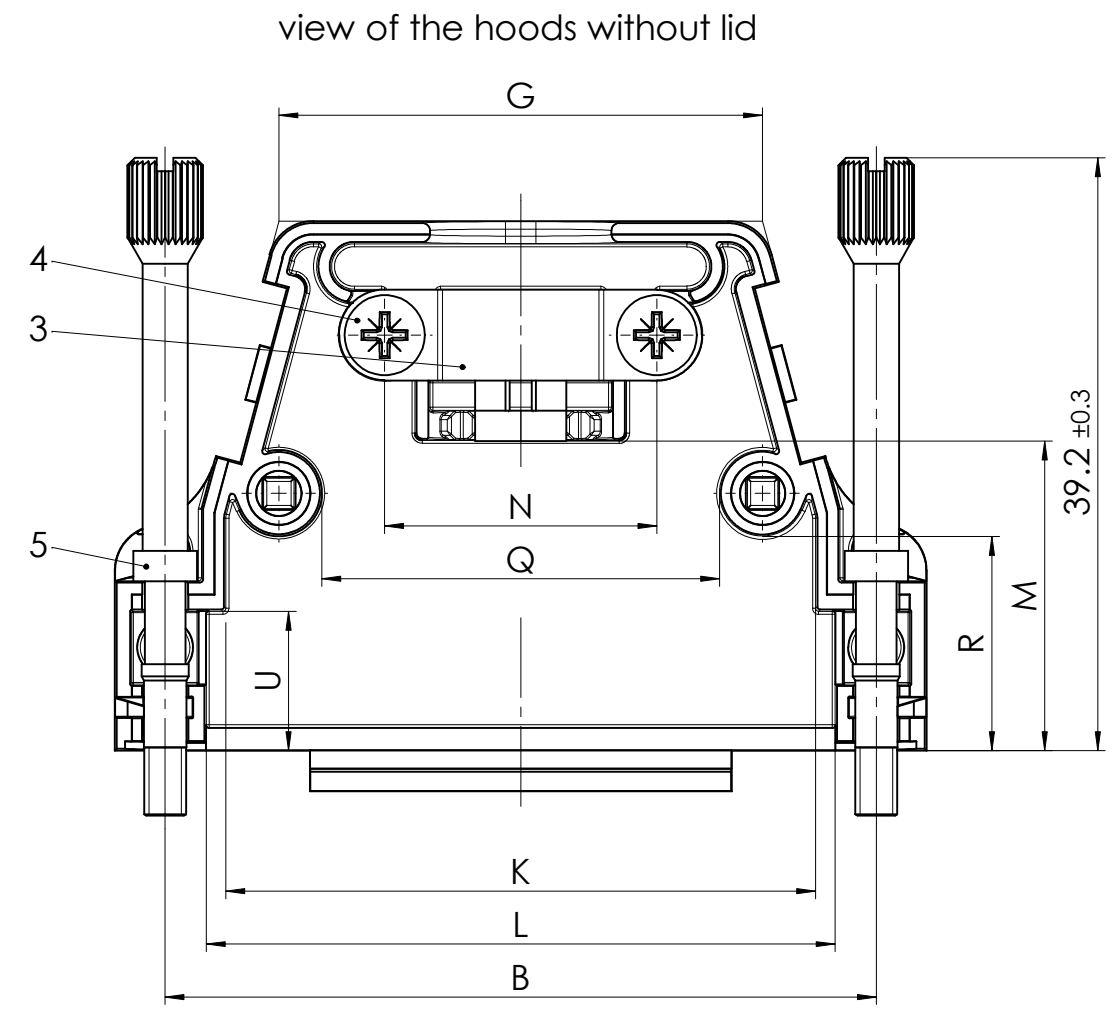
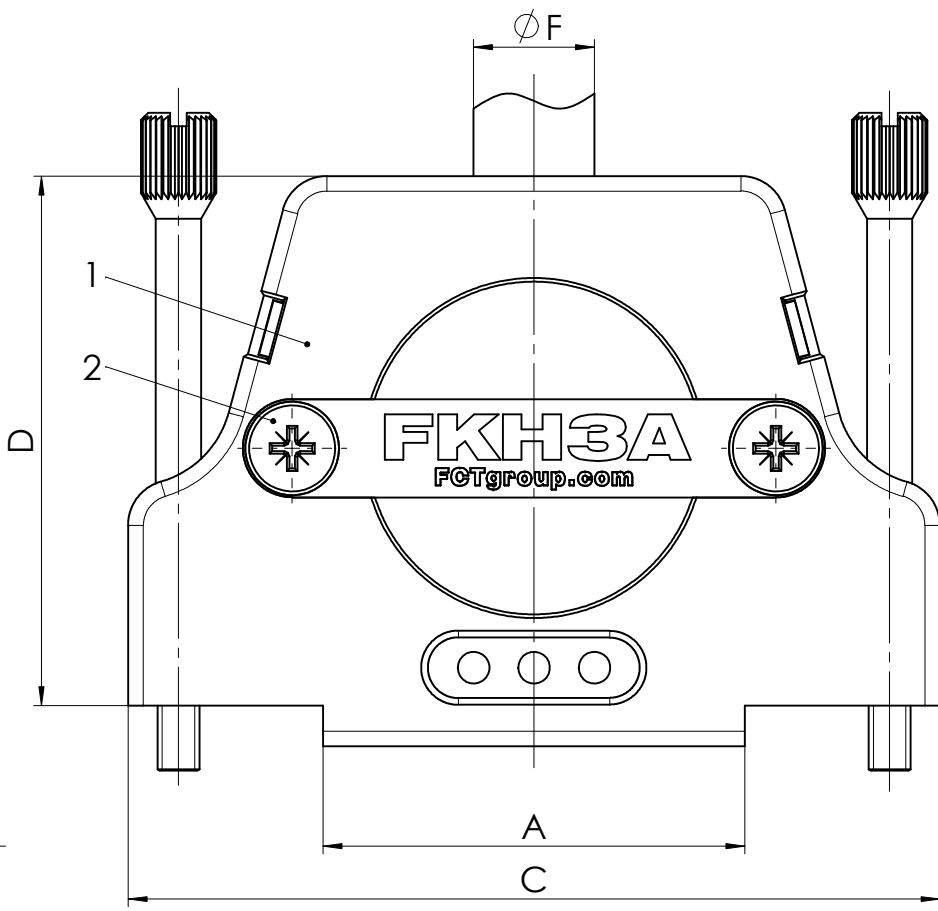
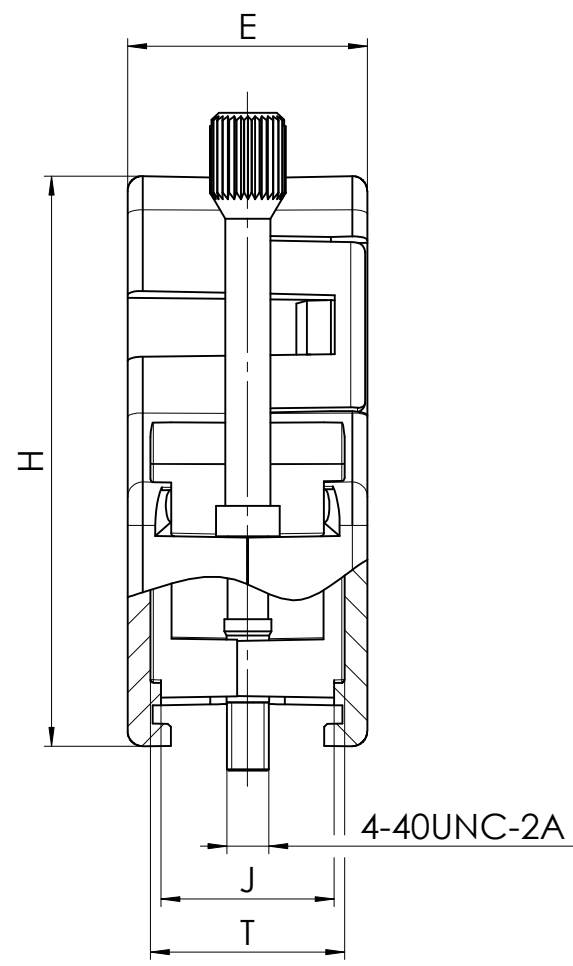


1		2		3					4					5					6				7		8	
Material-No.	Order-No.	Shell Size / for No. of Contacts		A ±0.3	B ±0.1	C ±0.3	D ±0.3	E ±0.3	∅F min - max	G ±0.3	H ±0.3	J ±0.3	K ±0.3	L ±0.3	M ±0.5	N ±0.3	Q ±0.3	R ±0.3	T ±0.3	U	∅F = Cable diameter					
1731110256	FKH1AR	1 / 9		10	25	31.2	31.8	16	4.5 - 7	20	35	11.5	17	19.6	16.5	12	7.3	15	13	9.6						
1731110152	FKH1ARE																									
1731110596	FKH2AR	2 / 15		16.1	33.3	40	32	16	4.5 - 7	21.8	34.7	11.4	25.5	27.8	16	12	12.8	13	13	9.2						
1731110153	FKH2ARE																									
1731110257	FKH3AR	3 / 25		27.8	47	53.7	35	16	8 - 10.5	32	37.7	11.4	39	41.6	20	18	25.6	14	13	9.2						
1731110154	FKH3ARE																									
-	FKH4AR	4 / 37		44.4	63.5	70.1	41	16	8 - 10.5	50	43.7	11.5	55.6	58	26	18	45.3	19.1	-	9.3						
1731110155	FKH4ARE																									
-	FKH5AR	5 / 50		42	61.1	67.8	41	18.5	10.5 - 12	48	43.7	14	53.4	55.7	26	18	42.4	19.1	-	9.2						
1731110156	FKH5RAE																									



RoHS compliant
by exemption

max. torque are 40 Ncm
FKH1-5AR, FKH2-5ARE Hood is snapped together
FKH1ARE Hood is not snapped together
Part-No. 2, 3, 4 and 5 not mounted

No.	St.	Part	Type Description / Material	Surface plating / Colour / Class
5	2	Knurled thumb screw	FRS1/5 4-40 / Brass	nickel plated
4	2	Cable clamp screw	Steel	zinc plated
3	1	Cable clamp	Steel	tin plated
2	2	Shell screw	Steel	zinc plated
1	1	Hood	FKH1-5A / ABS/PC+ABS	nickel plated

SYMBOLS		THIS DRAWING CONTAINS INFORMATION THAT IS PROPRIETARY TO MOLEX ELECTRONIC TECHNOLOGIES, LLC AND SHOULD NOT BE USED WITHOUT WRITTEN PERMISSION				molex	
▽ = 0	□ = 0	DIMENSION UNITS	SCALE	MEASUREMENTS WITHOUT TOLERANCE ACC. TO	CURRENT REVISION		
▽ = 0	▽ = 0	mm	2:1	ISO 2768-m	DRWN: DRAWN BY	ameyerrichte	10-01-2020
▽ = 0	▽ = 0				APPR: APPR BY	HStanisch	10-01-2020
▽ = 0	▽ = 0				INITIAL REVISION		
▽ = 0	▽ = 0				DRWN: DRAWN BY	Anke.Meyer-Richter	27-11-2007
▽ = 0	▽ = 0				APPR: APPR BY	KBurkhardt	30-11-2007
▽ = 0	▽ = 0	7	24131		MATERIAL NUMBER		REVISION
▽ = 0	▽ = 0	REV.	CH.-NO.		see table		7
▽ = 0	▽ = 0	REPLACEMENT FOR:		THIRD ANGLE PROJECTION	DOCUMENT NUMBER		CUSTOMER
▽ = 0	▽ = 0	FKH1-5ARq_ACAD			FKH1-5AR		GENERAL MARKET
				DRAWING			SHEET NUMBER
				A3-SIZE			1 OF 1

COMMENT: ALL RIGHTS ARE RESERVED BY US FOR THIS DRAWING. WITHOUT OUR PRIOR CONSENT, IT MAY NEITHER BE DUBLICATED NOR MADE AVAILABLE TO A THIRD PARTY. AND IT ALSO MAY NOT BE IMPROPERLY USED BY THE RECEIVER, OR A THIRD PARTY.

X-ON Electronics

Largest Supplier of Electrical and Electronic Components

Click to view similar products for [D-Sub Backshells](#) category:

Click to view products by [Molex](#) manufacturer:

Other Similar products are found below :

[600X54009X](#) [600X56025X](#) [70.350.0636.4](#) [72.350.1035.2](#) [73.359.4035.3](#) [747534-2](#) [970-015-040R011](#) [971-009-040R011](#) [DD19678-4](#) [DPH-B-003](#) [165X02659X](#) [165X10899X](#) [165X11689X](#) [165X13169X](#) [L171373](#) [971-037-040R011](#) [300X11139X](#) [975T025-020R121](#) [165X00809X](#) [165X10949X](#) [165X11629XE](#) [165X17189X](#) [165X17449X](#) [300X10179X](#) [500-047M37H](#) [500T010J21H08](#) [557-083B1](#) [557B316M535TB8](#) [557E316M536TB6](#) [557S283NF1A05](#) [557T071NF131SB](#) [557T113M232B](#) [400FS001M2410F2](#) [DA-C8-J10-F1-1R](#) [DB-C2-J9R](#) [DB-C8-J10-F5-1R](#) [419-2080-502](#) [DC-C8-J13-B1-1R](#) [500-016NF09EN](#) [500T010M15E08](#) [500T010M15H06](#) [500T010NF15B08](#) [500T010NF15H08](#) [500T012M21E](#) [500T012M51E](#) [507-146M31EC](#) [057-3006-011](#) [557S507M2R3A0-09TB](#) [360HS001M2312M5](#) [550E068NF4JG0](#)