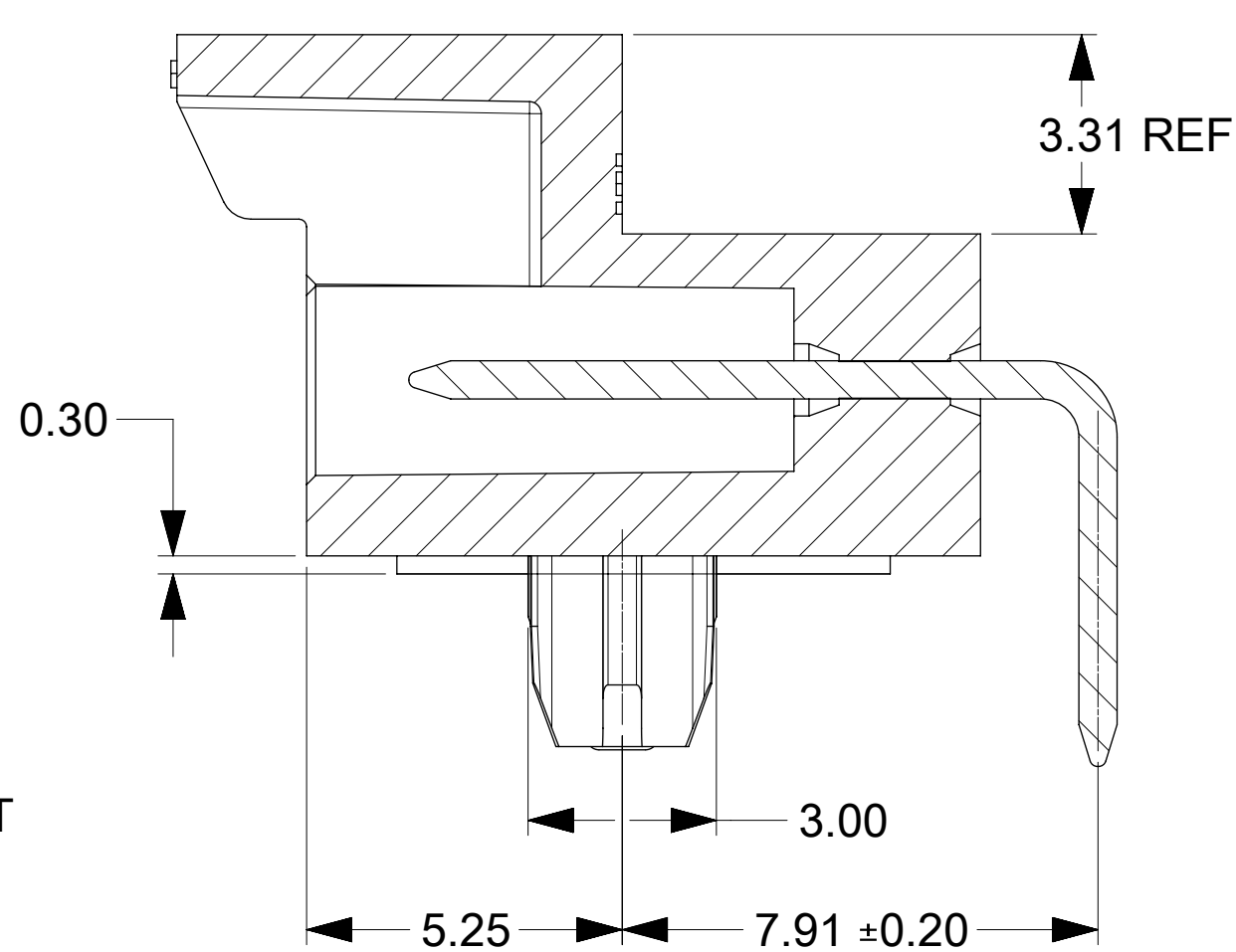
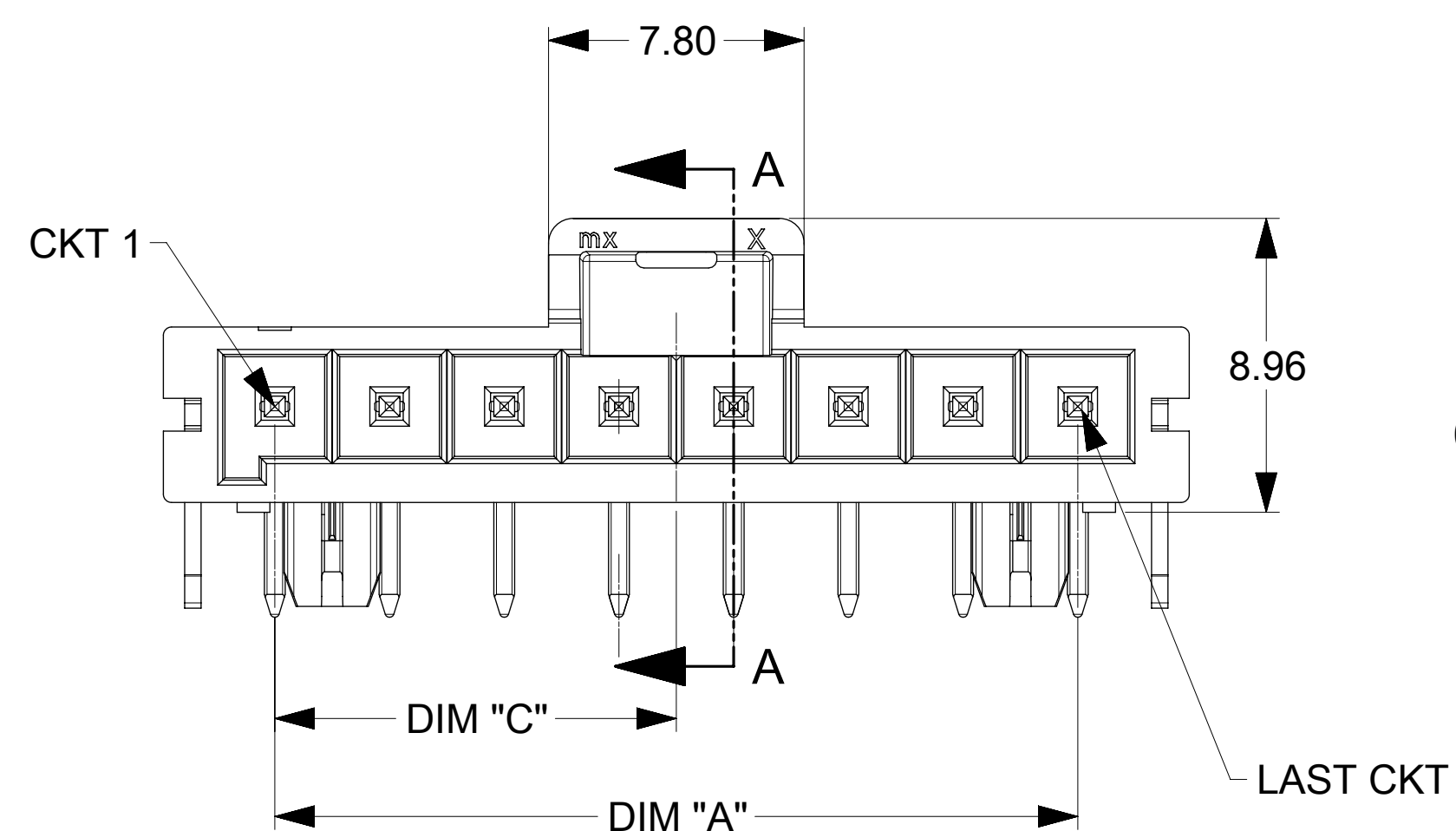
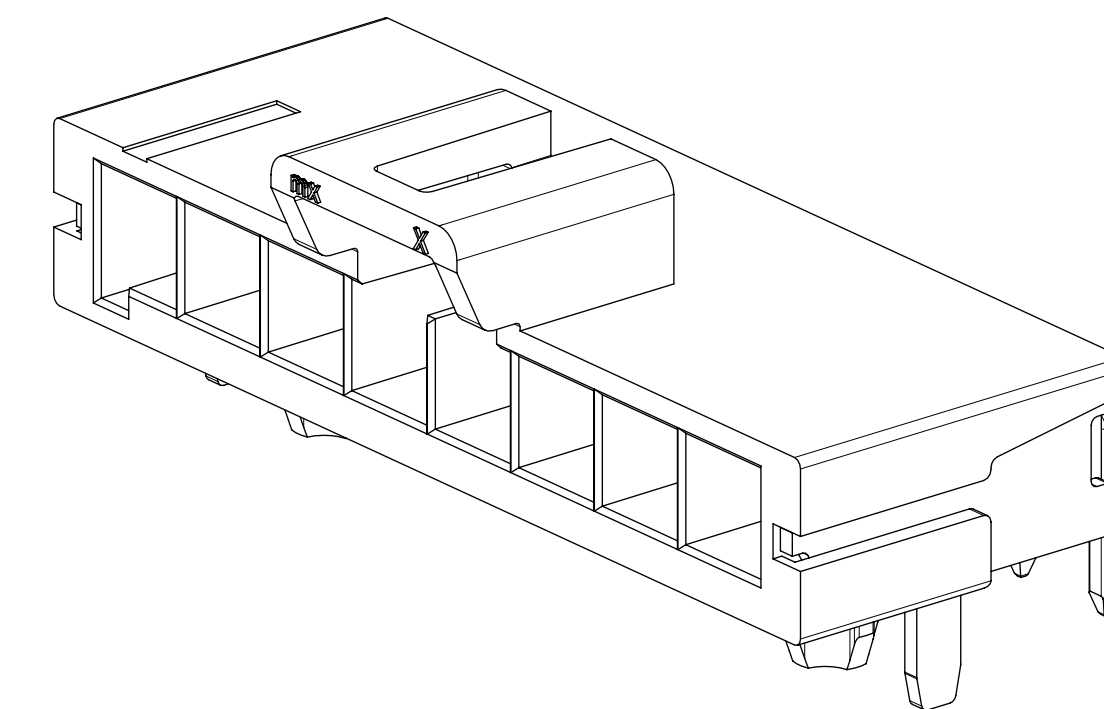
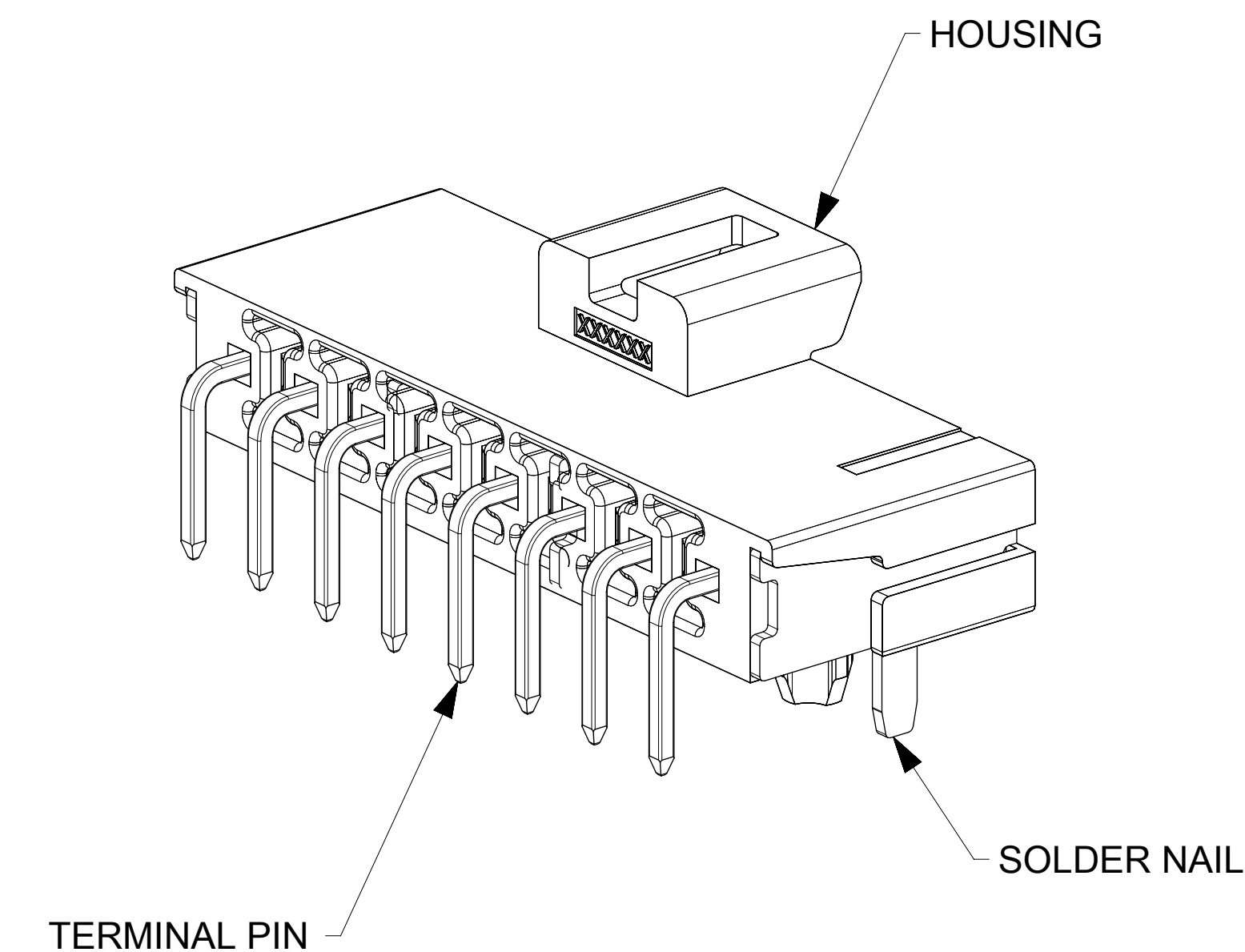
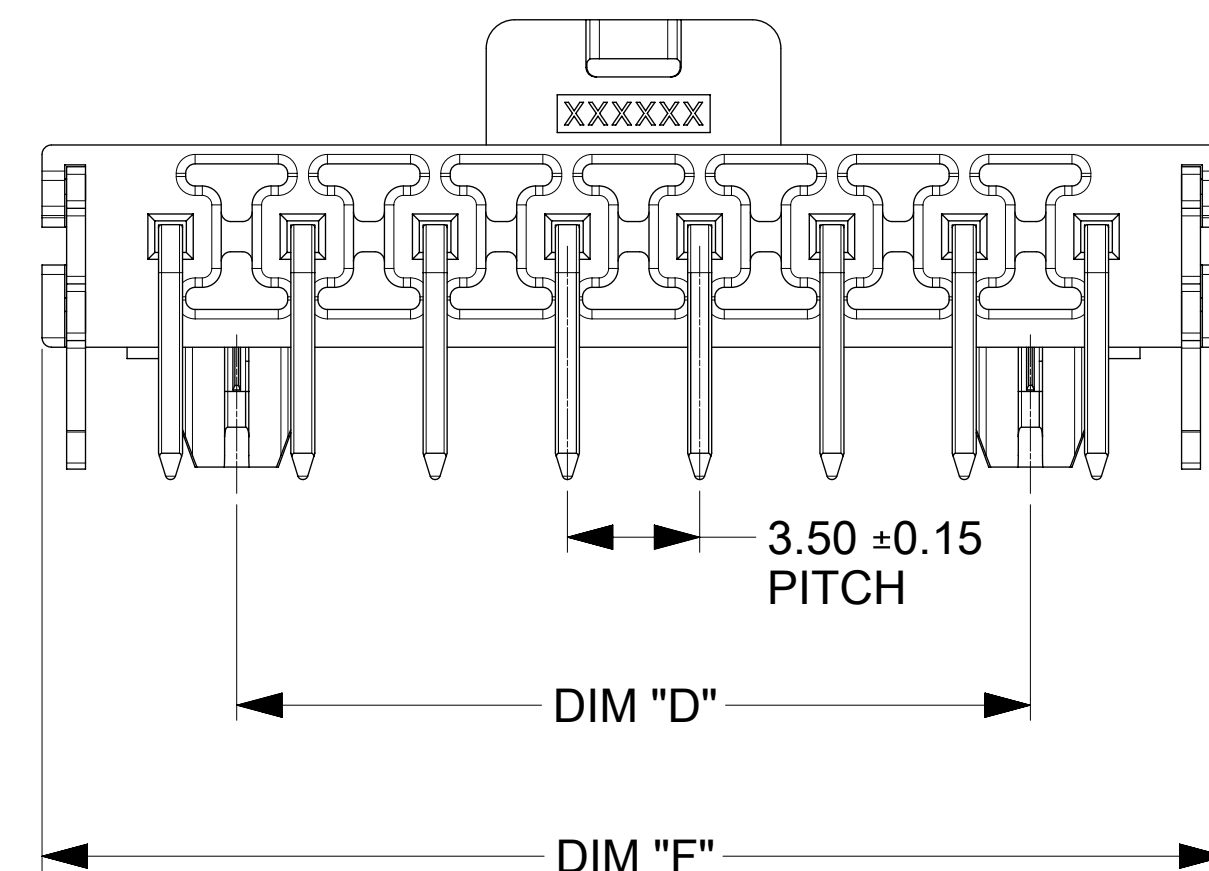


DATE CODE LOCATION
SEE NOTE 6

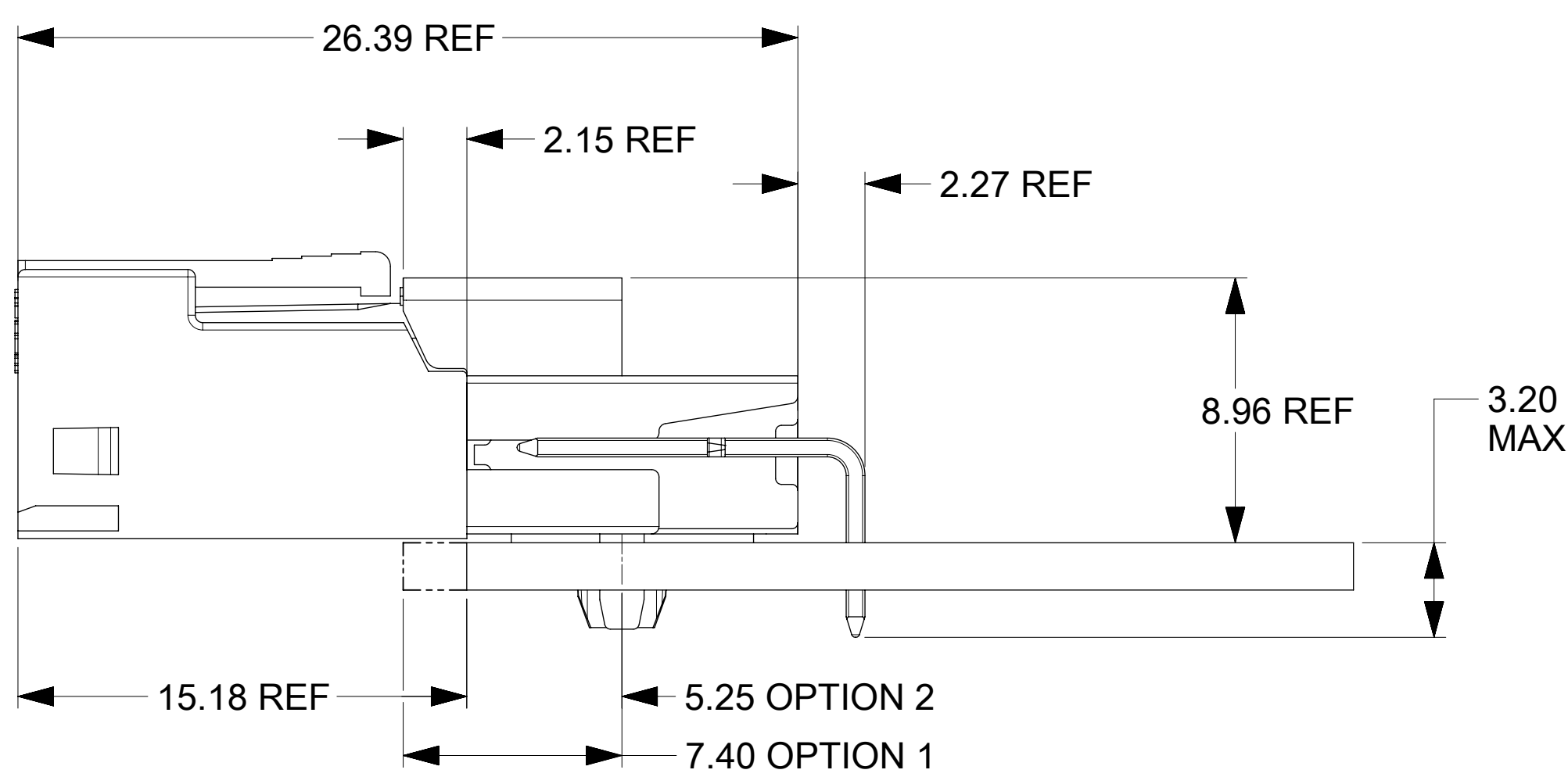


SECTION A-A
SCALE 8:1



NOTES:

- MATERIAL :
HOUSING:
OPTION 1: LCP BLACK, UL94V-0
OPTION 2: LCP NATURAL, UL94V-0
TERMINAL: COPPER ALLOY
- PLATING FINISH:
OPTION 1 - 1.5µm(60µin)-2.5µm(100µin) REFLOW MATTE TIN OVER
1.25µm(50µin)-2.5µm(100µin) NICKEL OVERALL
OPTION 2 - 0.35µm(15µin) GOLD CONTACT AREA,
1.5µm(60µin)-2.5µm(100µin) MATTE TIN OVER
1.25µm(50µin)-2.5µm(100µin) NICKEL OVERALL
OPTION 3 - 0.70µm(30µin) GOLD CONTACT AREA,
1.5µm(60µin)-2.5µm(100µin) MATTE TIN OVER
1.25µm(50µin)-2.5µm(100µin) NICKEL OVERALL
- PARTS TO BE PACKAGED PER CHART FOR DETAIL
- PRODUCT SPECIFICATION PS-172323-0001
- PART MATES WITH MOLEX RECEPTACLE HOUSING 172256 AND 172260
- PART CONFORMS TO CLASS "C" REQUIREMENTS OF MOLEX COSMETIC SPECIFICATION.
PS-45499-002 WITH 0.13 MM MAXIMUM FLASH ALLOWED IN CORE HOLES AND FRONT SURFACE.
- LASER MARK CODE IN A FORMAT DDD
- PARTS ARE NOT DESIGNED FOR CURRENT SHARING.



OPTION 1: LATCH FLUSH WITH PCB EDGE
OPTION 2: HOUSING BODY FLUSH WITH PCB EDGE

SYMBOLS	THIS DRAWING CONTAINS INFORMATION THAT IS PROPRIETARY TO MOLEX ELECTRONIC TECHNOLOGIES, LLC AND SHOULD NOT BE USED WITHOUT WRITTEN PERMISSION		CURRENT REV DESC:		molex
	DIMENSION UNITS	SCALE			
▽ = 0	mm	5:1			ULTRA-FIT SR R/A HEAD SN ASSY
▽ = 0	GENERAL TOLERANCES (UNLESS SPECIFIED)				PRODUCT CUSTOMER DRAWING
▽ = 0	ANGULAR TOL ± °				DOCUMENT NUMBER
▽ = 0	4 PLACES ±		EC NO: 767102	2023/07/19	1723102000
▽ = 0	3 PLACES ±		DRWN: LEOW	2023/10/30	PSD 000 B2
▽ = 0	2 PLACES ± 0.13		CHK'D: XQZHANG	2023/10/30	DOC TYPE
▽ = 0	1 PLACE ± 0.25		APPR: XQZHANG	2023/10/30	DOC PART
☒ = 0	0 PLACES ±		INITIAL REVISION:		REVISION
■ = 0	DRAFT WHERE APPLICABLE MUST REMAIN WITHIN DIMENSIONS		DRWN: PPerez03	2016/02/22	
▽ = 0	THIRD ANGLE PROJECTION		APPR: RHODGE	2016/06/21	
	DRAWING		SERIES		
	D-SIZE		172310		
	MATERIAL NUMBER		CUSTOMER		SHEET NUMBER
					1 OF 3

X-ON Electronics

Largest Supplier of Electrical and Electronic Components

Click to view similar products for [Headers & Wire Housings](#) category:

Click to view products by [Molex](#) manufacturer:

Other Similar products are found below :

[892-18-020-10-001101](#) [0010894062](#) [0010977306](#) [0015477636](#) [0015917161](#) [0022104068](#) [0022121042](#) [0022155065](#) [0022281023](#) [57102-F02-18ULF](#) [PCN6B-10P-2.5DS](#) [58102-G61-06LF](#) [582553-1](#) [0015911208](#) [01.001.5753.1](#) [0022285048](#) [0050291907](#) [02.125.8002.8](#)
[CSU011177004](#) [622-0430](#) [63453-116](#) [636-1030](#) [636-1427](#) [636-3427](#) [636-4007](#) [641938-9](#) [65495-038](#) [65692-001LF](#) [65781-018](#) [65781-047](#)
[65817-010LF](#) [67095-007LF](#) [67601157](#) [68631-112](#) [68645-018](#) [699319-000](#) [70.362.1628.0](#) [70-4210](#) [70-4226B](#) [70-4853B](#) [707-5028](#)
[71.350.2428.0](#) [733-134](#) [733-162](#) [760-3052](#) [80.063.4001.1](#) [800-90-001-10-001000](#) [801-43-002-10-013000](#) [801-43-006-10-002000](#)
[803-43-024-10-001000](#)