

PLEASE CHECK WWW.MOLEX.COM FOR LATEST PART INFORMATION

Part Number: [1053104616](#)
Status: **Active**
Overview: Nano-Fit Power Connectors
Description: Nano-Fit Vertical Header, Through Hole, 2.50mm Pitch, Dual Row, 16 Circuits, with Kinked Pins, 0.76µm Gold (Au) Plating, Natural, Glow-Wire Capable, Tape and Reel

Documents:

3D Model	Product Specification 1053001000-PS-JP-000 (PDF)
3D Model (PDF)	Product Specification 1053001000-PS-SK-000 (PDF)
Drawing (PDF)	Packaging Specification 1053101000-PK-000 (PDF)
Product Specification 1053001000-PS-CH-000 (PDF)	Datasheet (PDF)
Product Specification 1053001000-PS-ES-000 (PDF)	RoHS Certificate of Compliance (PDF)

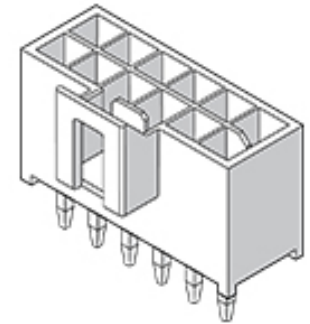
General

Product Family	PCB Headers
Series	105310
Application	Power, Wire-to-Board
Overview	Nano-Fit Power Connectors
Packaging Alternative	1053102316
Product Name	Nano-Fit
UPC	193264554461

Physical

Breakaway	No
Circuits (Loaded)	16
Circuits (maximum)	16
Color - Resin	Natural
Durability (mating cycles max)	50
Glow-Wire Capable	Yes
Guide to Mating Part	No
Keying to Mating Part	Yes
Lock to Mating Part	Yes
Material - Metal	Brass
Material - Plating Mating	Gold
Material - Plating Termination	Tin
Material - Resin	Liquid Crystal Polymer
Net Weight	1.394/g
Number of Rows	2
Orientation	Vertical
PC Tail Length	3.20mm
PCB Locator	Yes
PCB Retention	Yes
PCB Thickness - Recommended	1.60mm, 2.40mm
Packaging Type	Embossed Tape on Reel
Pitch - Mating Interface	2.50mm
Pitch - Termination Interface	2.50mm
Plating min - Mating	0.762µm
Plating min - Termination	1.524µm
Polarized to Mating Part	Yes
Polarized to PCB	Yes
Shrouded	Yes
Stackable	No
Surface Mount Compatible (SMC)	No
Temperature Range - Operating	-40° to +115°C
Termination Interface: Style	Through Hole

Electrical



Series image - Reference only

EU ELV

Not Relevant

EU RoHS

Compliant

REACH SVHC

Not Contained Per -
D(2021)4569-DC (8
July 2021)

Halogen-Free

Status

Low-Halogen

For more information, please visit [Contact US](#)

China ROHS

ELV

RoHS Phthalates

China RoHS

Green Image

Not Relevant

Not Contained

Search Parts in this Series

[105310 Series](#)

Mates With

Nano-Fit Receptacle Housing [1053082216](#)

Current - Maximum per Contact
Voltage - Maximum

7.5A
250V AC (RMS)/DC

Material Info

Reference - Drawing Numbers

Packaging Specification
Product Specification

1053101000-PK-000
1053001000-PS-CH-000, 1053001000-PS-ES-000,
1053001000-PS-JP-000, 1053001000-PS-SK-000
1053101000-SD-000

Sales Drawing

This document was generated on 09/02/2021

PLEASE CHECK WWW.MOLEX.COM FOR LATEST PART INFORMATION

X-ON Electronics

Largest Supplier of Electrical and Electronic Components

Click to view similar products for [Headers & Wire Housings](#) category:

Click to view products by [Molex](#) manufacturer:

Other Similar products are found below :

[892-18-020-10-001101](#) [58102-G61-06LF](#) [582553-1](#) [0009485154](#) [009176003701906](#) [0050291907](#) [LY20-4P-DT1-P1E-BR](#) [02.125.8002.8](#)
[609-3404](#) [61062-3](#) [622-0430](#) [622-3653LF](#) [63453-116](#) [636-1030](#) [636-1427](#) [636-3427](#) [636-4007](#) [641938-9](#) [641991-4](#) [644827-2](#) [65817-010LF](#)
[65817-015LF](#) [65863-015LF](#) [66207-023LF](#) [67095-007LF](#) [67601157](#) [68648-049](#) [70.362.1628.0](#) [70-4210](#) [70-4226B](#) [70-4853B](#) [707-5020](#) [707-5028](#) [71.350.2428.0](#) [71918-208LF](#) [71961-016LF](#) [733-134](#) [733-162](#) [754199-000](#) [760-3052](#) [787-8014-00](#) [79531-3000](#) [FCN-360C032-B](#) [FCN-367T-T012/H](#) [FCN-723D010/2](#) [80.063.4001.1](#) [800-90-001-10-001000](#) [800-90-010-10-002000](#) [801-43-002-10-013000](#) [801-43-006-10-002000](#)