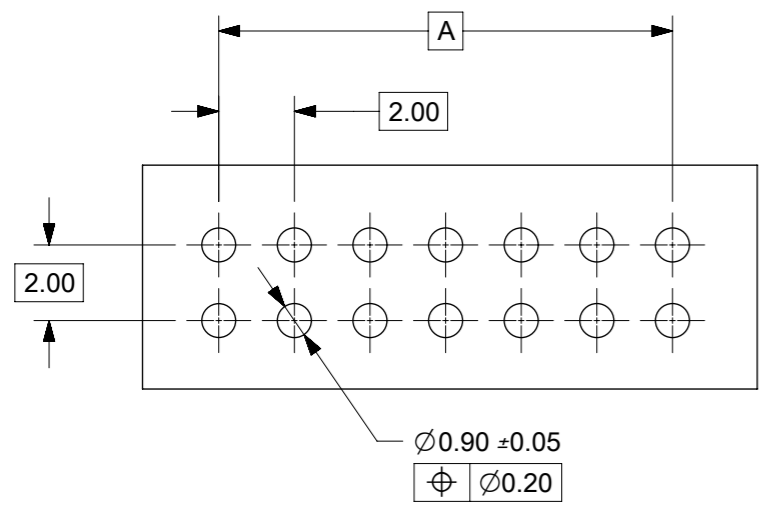
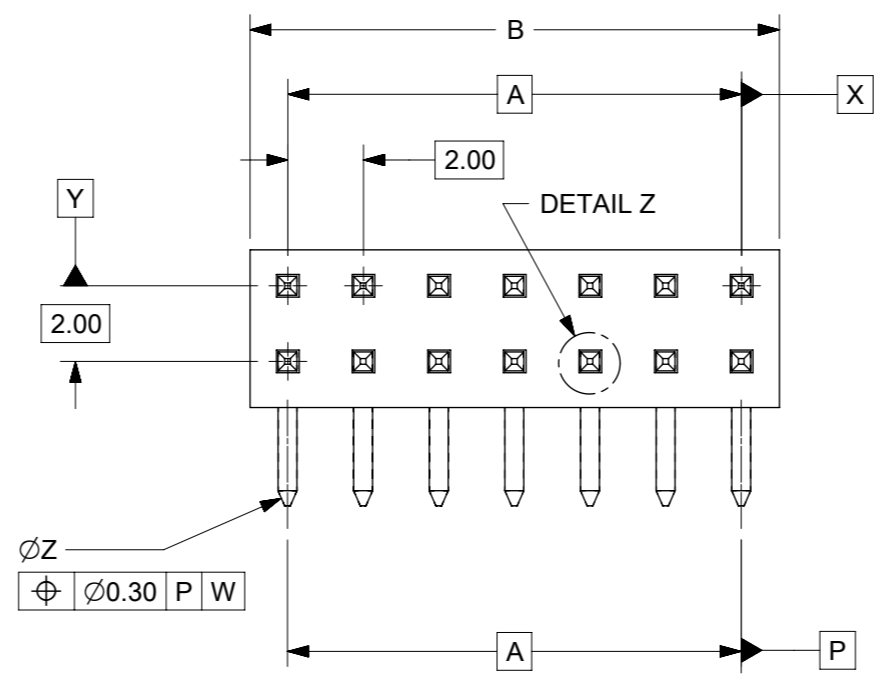
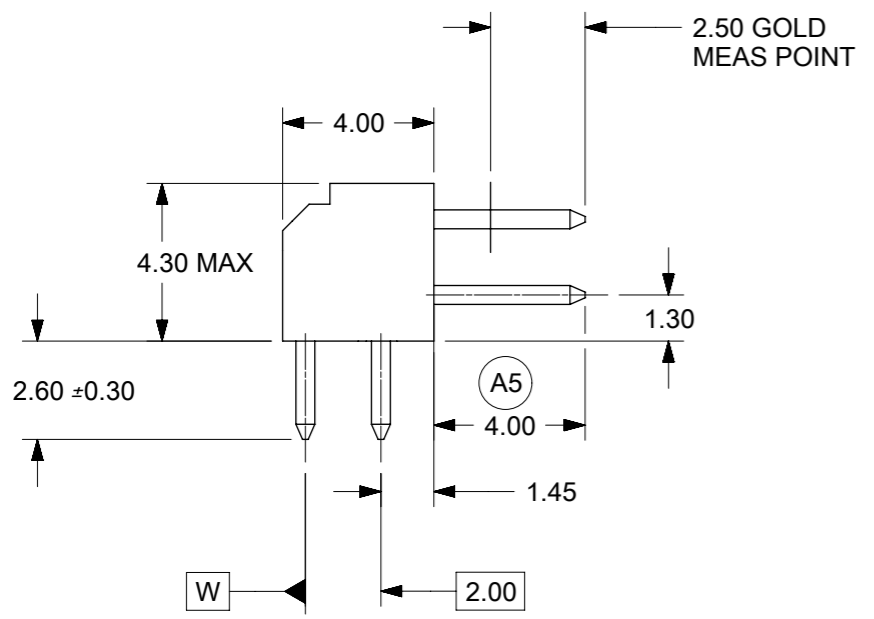
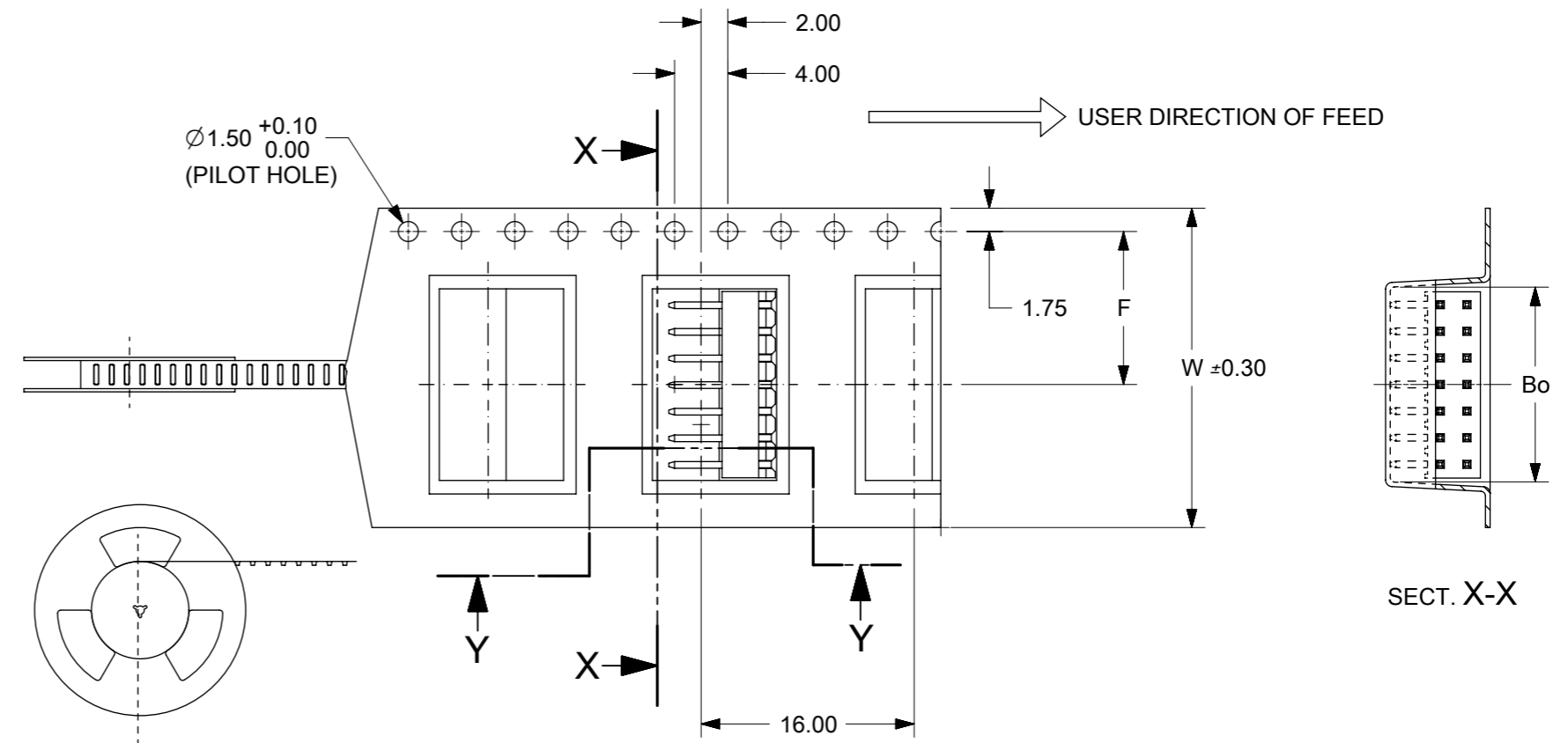


- NOTES:**
1. MATERIAL:
HSG: PCT, GLASS FILLED, UL 94V-0,
COLOUR BLACK.
PIN: 0.50MM SQ PHOSPHOR BRONZE 510
 2. PLATING:
0.38µm MIN GOLD IN CONTACT AREA,
TIN IN SOLDER TAIL AREA, BOTH OVER
NICKEL OVERALL
 3. 14 CKT USED FOR ILLUSTRATION ONLY
 4. PART TO BE PACKED IN TAPE & REEL (SEE SHT 2).
 5. PRODUCT SPEC PS-87761-100 APPLIES.
 6. RECOMMENDED PCB BOARD THK 1.60±0.10 MM.

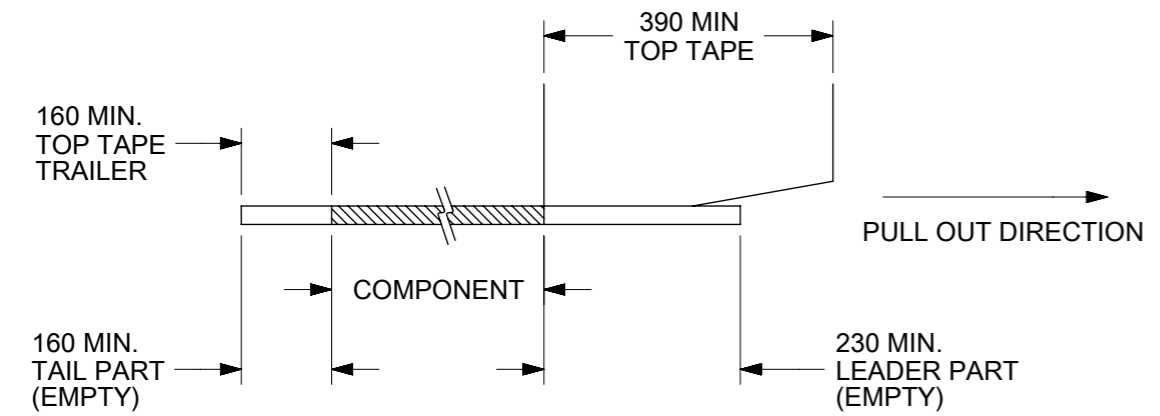


THIS DRAWING CONTAINS INFORMATION THAT IS PROPRIETARY TO MOLEX ELECTRONIC TECHNOLOGIES, LLC AND SHOULD NOT BE USED WITHOUT WRITTEN PERMISSION											
DIMENSION UNITS		SCALE		CURRENT REV DESC: ADD PIN LENGTH DIM.						molex	
mm		NTS									
GENERAL TOLERANCES (UNLESS SPECIFIED)				EC NO: 603144		DRWN: SCS02		2018/08/20		SALES DRAWING	
				CHK'D: ISHWARG		APPR: ISHWARG		2018/08/21		MGRID, 2MM DUAL ROW HDR. IN TAPE & REEL, R/A	
				DRWN: KSEE		APPR: SKTOH		2003/10/17		PRODUCT CUSTOMER DRAWING	
				APPR: SKTOH		2003/12/11		2003/12/11		DOCUMENT NUMBER	
				INITIAL REVISION:		SD-87760-147		PSD		DOC PART	
				ANGULAR TOL ± 1.0°		SERIES		87760		REVISION	
				DRAFT WHERE APPLICABLE MUST REMAIN WITHIN DIMENSIONS		THIRD ANGLE PROJECTION		DRAWING		SHEET NUMBER	
				A3-SIZE		GENERAL MARKET		SEE TABLE		1 OF 2	

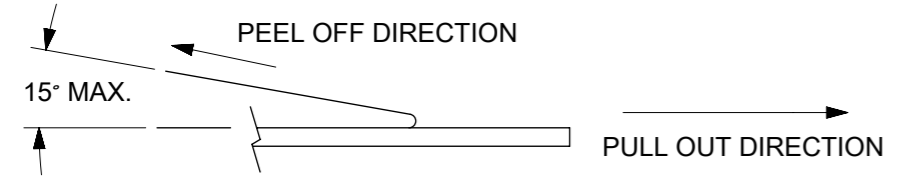
PART NUMBER (IN TAPE/REEL)	PART NUMBER (IN TRAY)	CKT SIZE	A	B	Bo	F	So	W
87760-8010	87760-1416	14	12.00	14.00	14.40	11.50	-	24.00
87760-8112	87760-1216	12	10.00	12.00	12.40	11.50	-	24.00
87760-8015	87760-2216	22	20.00	22.00	22.35	20.20	-	44.00
87760-8016	87760-0616	06	4.00	6.00	6.10	7.50	-	16.00



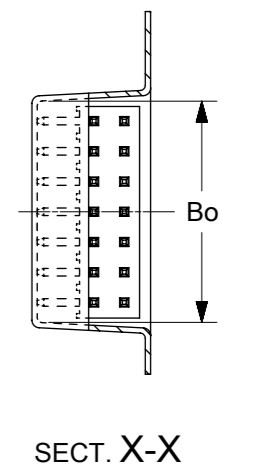
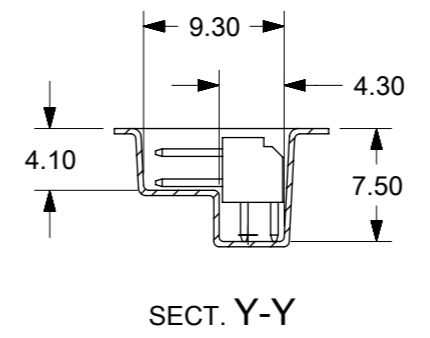
NOTES:
1. LEADER AND TRAILER TAPE



2. PEELING OFF FORCE OF THE TOP TAPE: 20-80gf.
(PEELING DIRECTION AS SHOWN IN FOLLOWING FIGURE)



3. PACKAGING STANDARD IS AS PER EIA-481.
4. TAPE & REEL QUANTITY = 500 PCS/REEL



THIS DRAWING CONTAINS INFORMATION THAT IS PROPRIETARY TO MOLEX ELECTRONIC TECHNOLOGIES, LLC AND SHOULD NOT BE USED WITHOUT WRITTEN PERMISSION											
DIMENSION UNITS		SCALE		CURRENT REV DESC: ADD PIN LENGTH DIM.						molex	
mm		NTS									
GENERAL TOLERANCES (UNLESS SPECIFIED)											
		MM		INCH		EC NO: 603144		SALES DRAWING		MGRID, 2MM DUAL ROW HDR. IN TAPE & REEL, R/A	
4 PLACES		±		±		DRWN: KSEE 2018/08/20		MGRID, 2MM DUAL ROW HDR. IN TAPE & REEL, R/A			
3 PLACES		±		±		CHK'D: ISHWARG 2018/08/21					
2 PLACES		± 0.2		±		APPR: ISHWARG 2018/08/21		PRODUCT CUSTOMER DRAWING			
1 PLACE		±		±		INITIAL REVISION:		DOCUMENT NUMBER		DOC TYPE	
0 PLACES		±		±		DRWN: KSEE 2003/10/17		SD-87760-147		PSD	
ANGULAR TOL		± 1.0°		± 1.0°		APPR: SKTOH 2003/12/11		001		A5	
DRAFT WHERE APPLICABLE MUST REMAIN WITHIN DIMENSIONS				THIRD ANGLE PROJECTION		DRAWING		SERIES		SHEET NUMBER	
				A3-SIZE		87760		SEE TABLE		2 OF 2	

X-ON Electronics

Largest Supplier of Electrical and Electronic Components

Click to view similar products for [molex manufacturer](#):

Other Similar products are found below :

[60506-C-50](#) [73108](#) [72903](#) [1062837003](#) [0533241060](#) [68301-1017](#) [71506-C](#) [880504](#) [387790039](#) [53254-0710](#) [85071-0017](#) [387204903](#)
[783472003](#) [514412093](#) [0026482195](#) [0191310031](#) [503308-4410](#) [02-09-6102](#) [0008650814](#) [791099208](#) [0039000218](#) [89762-1403](#) [89762-1542](#)
[89762-1582](#) [0011404526](#) [00136](#) [0022173102](#) [0026615060](#) [CR4006A30M003](#) [0039532085](#) [58098-0628](#) [0003092041](#) [0008520123](#)
[0011030025](#) [0011184017](#) [0022162060](#) [0022552102](#) [01312](#) [M15730061](#) [61432](#) [6150300002](#) [CS63W64](#) [CS8264N](#) [CS8365N](#) [CS8369](#)
[62201-8780](#) [62500-1774](#) [M37730026](#) [63103-50](#) [63443-2215](#)