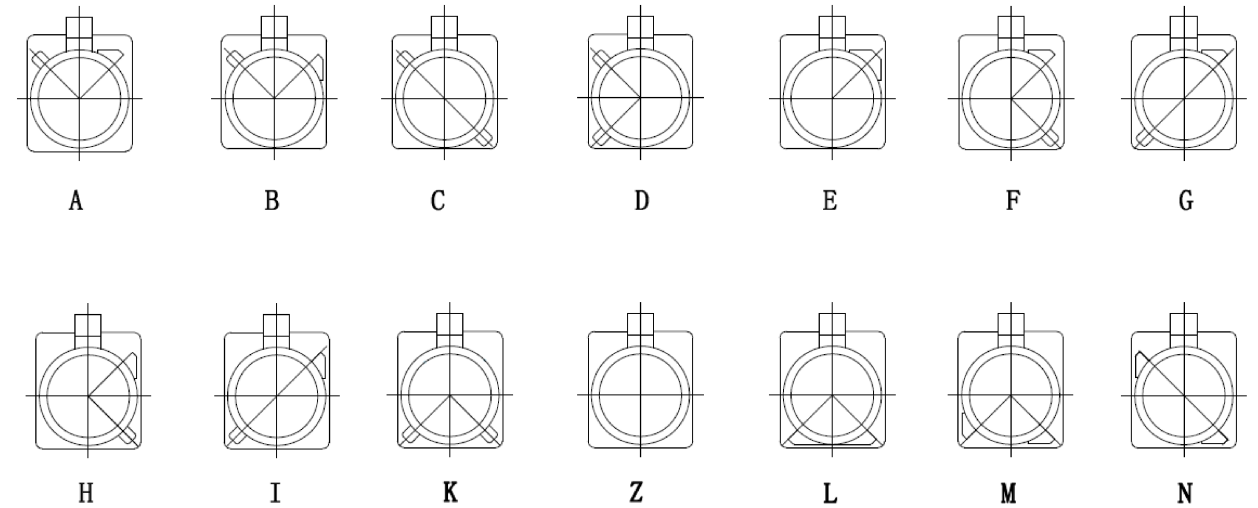
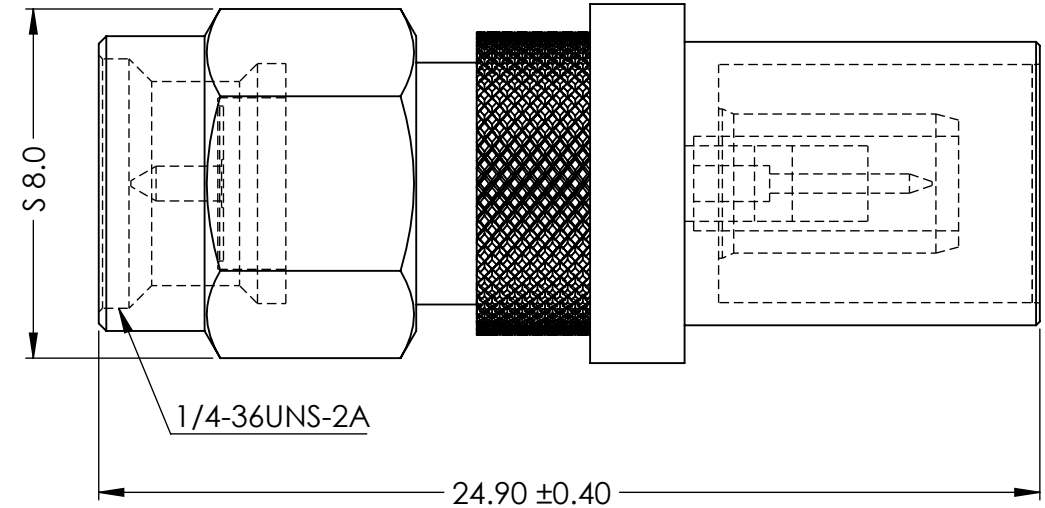
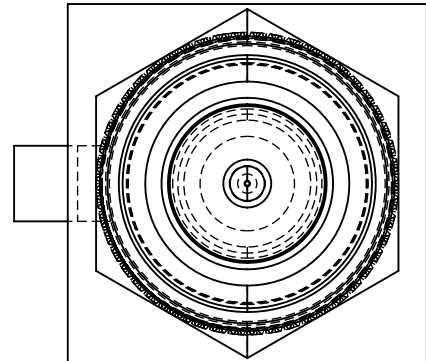
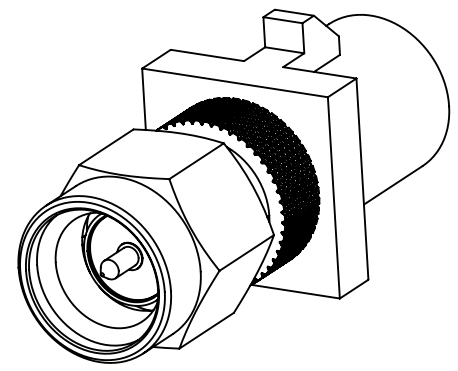


DRAWING REVISION HISTORY			
REV	DESCRIPTION	DATE	BY
A	INITIAL RELEASE	2024-05-03	MP



PORT TYPE

SMA MALE TO FAKRA MALE



NOTES:

- MATERIAL AND FINISHING:
  - SNAP RING: BeCu
  - PLASTIC SHELL: PA66+GF
  - O-RING: SILICONE, RED
  - THE REVOLVER: BRASS, GOLD PLATED
  - PIN CONTACT: BRASS, GOLD PLATED
  - INSULATORS: PTFE
  - BODY: BRASS, NICKEL PLATED
- ELECTRICAL DATA:
  - IMPEDANCE: 50 OHMS
  - FREQUENCY: 0-6 GHz

ITEM 174-00053-01 REVISION HISTORY			
REV	DESCRIPTION	DATE	BY
1	INITIAL RELEASE	2024-05-03	MP

PROPRIETARY AND CONFIDENTIAL

THE INFORMATION CONTAINED IN THIS DRAWING IS THE SOLE PROPERTY OF MAXTENA, INC. ANY REPRODUCTION IN PART OR AS A WHOLE WITHOUT THE WRITTEN PERMISSION OF MAXTENA, INC IS PROHIBITED.

UNLESS OTHERWISE SPECIFIED:	NAME	DATE	<b>MAXTENA, INC</b> TITLE: <b>174-00053-01</b> <b>MAD-01-15-FAKRA-SMA</b>
DIMENSIONS ARE IN MM	DRAWN	MP 2024-05-03	
TOLERANCES:	CHECKED	BO 2024-05-06	
FRACTIONAL ±	ENG APPR.	AV 2024-05-06	
ANGULAR: MACH ± .5° BEND ±	MFG APPR.		
ONE PLACE DECIMAL ± 1.0	Q.A.		SIZE DWG. NO. <b>B 117-00784-01</b> REV <b>A</b>
TWO PLACE DECIMAL ± .50	CAD MAINTAINED. CHANGES SHALL BE INCORPORATED BY THE DESIGN ACTIVITY.		CAGE CODE: 5KQH7 SCALE: NONE SHEET 1 OF 1
INTERPRET GEOMETRIC TOLERANCING PER:	THIRD ANGLE PROJECTION DO NOT SCALE DRAWING		

## X-ON Electronics

Largest Supplier of Electrical and Electronic Components

*Click to view similar products for [RF Adapters - Between Series](#) category:*

*Click to view products by [Maxtena](#) manufacturer:*

Other Similar products are found below :

[5945-9503-000](#) [ADPL75-A1-PL75](#) [BJ158FL](#) [9317505](#) [ADBJ20-E2-BJ79](#) [ADBJ77-A1PL3155](#) [M55339/49-00349](#) [UAD95](#) [242235](#) [TM-FMEM-NDS-50](#) [AD-HQF-QCM-PM-2.5](#) [242291](#) [CT2771](#) [CT2762](#) [CT3387](#) [SMPP\(FD\)-HKP](#) [ADBJ377-A1-PL74](#) [ADT-2685-TM-SMM-02](#) [VA301](#) [ADT-2681-NM-SMF-02](#) [000-78875](#) [ADUBJ20-E1-PL375](#) [AD-UBJ20-E1-BJ89](#) [CT2940](#) [CT3389](#) [5300](#) [N9910X-602](#) [000-2900](#) [R191630007](#) [1057377-1](#) [1059825-1](#) [RF2-02-T-02-50-G](#) [RF2-03-T-00-50-G](#) [4295](#) [MCX/M-SMA/F](#) [1270](#) [BNC\(75\)J-H.FLJ-BPA-V\(40\)](#) [1296](#) [1297](#) [400PSM-CR](#) [1468](#) [53K164-S00N1](#) [SMA6251A1-3GT50G-50](#) [FME/M-SMA/F](#) [82-6532](#) [ETC1-1-10](#) [BD2130J5050A00](#) [BD2326L50200A00](#) [73386-0192](#) [73386-0103](#)