

# LOW-VOLTAGE CURRENT TRANSFORMERS ▷

48h



**70** YEARS OF TRUST  
**LUMEL**

## ▶ LUMEL 4.0 - PLANT OF NEW TECHNOLOGIES



Our new plant built in 2020 powered by a 125 kW Lumel photovoltaic system.

Plant area Lumel S.A. - 3639 m<sup>2</sup>.

Plant area Lumel Arena  
(sports and recreation facility for employees  
and their families) - 1007 m<sup>2</sup>.

Current transformers summary.....	4
General overview of current transformers.....	6
Instrument security factor.....	8
LCTM - wound primary series.....	14
LCTR - round conductor series.....	15
LCTB 45 - busbar series.....	17
LCTB 50 - busbar series.....	18
LCTB 62 - busbar series.....	20
LCTB 74 - busbar series.....	22
LCTB 86 - busbar series.....	24
LCTB 100 - busbar series.....	26
LCTB 104 - busbar series.....	27
LCTB 140 - busbar series.....	28
LCTB 225 - busbar series.....	30
LCTS - split core - <b>NEW</b> - COMPACT VERSION.....	31
LCTP - 3-phase current transformers.....	32
LRC - resin cast current transformers.....	34
LU01 - summation current transformers.....	38
LW - round current transformers.....	41
LE - round current transformers.....	44
Accessories.....	46

3 YEAR WARRANTY

shop.lumel.com.pl



# CURRENT TRANSFORMERS SUMMARY

Hole diameter/ Busbar dimensions	Transformer type	Page no.	Range of primary currents									
			Class 0.25		Class 0.2		Class 0.55		Class 0.5		Class 1	
			min	max	min	max	min	max	min	max	min	max
<b>Wound primary series</b>												
N/A	LCTM 62/W(40)	14	-	-	1 A	30 A	-	-	1 A	30 A	1 A	30 A
N/A	LCTM 74/W(40)	14	-	-	1 A	60 A	-	-	1 A	60 A	1 A	60 A
<b>Current transformers with window for round conductor or busbar</b>												
Ø 14	LCTR 45/14(40)	15	-	-	-	-	-	-	80 A	300 A	30 A	300 A
Ø 14	LCTR 50/14(30)	15	-	-	-	-	-	-	100 A	300 A	40 A	300 A
Ø 14	LCTR 50/14(50)	15	-	-	-	-	-	-	50 A	300 A	30 A	300 A
Ø 22	LCTR 62/R(40)	15	-	-	100 A	600 A	-	-	75 A	600 A	50 A	600 A
Ø 20 / 20 x 10	LCTB 45/21(40)	17	-	-	-	-	-	-	80 A	400 A	50 A	400 A
Ø 21 / 20 x 10	LCTB 50/21(30)	18	-	-	-	-	-	-	80 A	400 A	50 A	400 A
Ø 26 / 30 x 10	LCTB 50/30(30)	18	-	-	-	-	-	-	100 A	600 A	75 A	600 A
Ø 21 / 20 x 10	LCTB 50/21(50)	18	-	-	-	-	-	-	50 A	400 A	50 A	400 A
Ø 26 / 30 x 10	LCTB 50/30(50)	18	-	-	-	-	-	-	100 A	600 A	50 A	600 A
20 x 12	LCTB 62/20(40)	20	100 A	400 A	100 A	400 A	100 A	400 A	75 A	400 A	50 A	400 A
Ø 30 / 30 x 10	LCTB 62/30(40)	20	100 A	800 A	100 A	800 A	100 A	800 A	100 A	800 A	50 A	800 A
Ø 28 / 30 x 10	LCTB 62/30(50)	20	100 A	800 A	100 A	800 A	100 A	800 A	75 A	800 A	50 A	800 A
Ø 31 / 40 x 10	LCTB 62/40(40)	20	200 A	800 A	200 A	800 A	200 A	800 A	200 A	800 A	100 A	800 A
Ø 20 / 20 x 10	LCTB 74/20(45)	22	100 A	400 A	100 A	400 A	100 A	400 A	75 A	400 A	40 A	400 A
Ø 26 / 30 x 15	LCTB 74/30(45)	22	100 A	800 A	100 A	800 A	100 A	800 A	75 A	800 A	40 A	800 A
Ø 35 / 40 x 12	LCTB 74/40(45)	22	200 A	1000 A	200 A	1000 A	200 A	1000 A	100 A	1000 A	40 A	1000 A
Ø 41 / 50 x 12	LCTB 74/50(45)	22	250 A	1000 A	250 A	1000 A	250 A	1000 A	200 A	1000 A	100 A	1000 A
Ø 36 / 40 x 10	LCTB 86/40(45)	24	100 A	1000 A	100 A	1000 A	100 A	1000 A	100 A	1000 A	50 A	1000 A
Ø 46 / 50 x 12	LCTB 86/50(45)	24	300 A	1250 A	300 A	1250 A	300 A	1250 A	120 A	1250 A	100 A	1250 A
Ø 51 / 60 x 12	LCTB 86/60(45)	24	300 A	1600 A	300 A	1600 A	300 A	1600 A	200 A	1600 A	100 A	1600 A
Ø 54 / 60 x 12	LCTB 104/60(45)	26	300 A	1600 A	250 A	1600 A	300 A	1600 A	150 A	1600 A	100 A	1600 A
Ø 65 / 80 x 12	LCTB 104/80(45)	26	750 A	2000 A	400 A	2000 A	750 A	2000 A	250 A	2000 A	200 A	2000 A
Ø 72 / 80 x 30	LCTB 140/80(45)	27	500 A	2000 A	300 A	2000 A	500 A	2000 A	200 A	2000 A	200 A	2000 A
Ø 86 / 100 x 30	LCTB 140/100H(45)	27	600 A	4000 A	400 A	4000 A	600 A	4000 A	200 A	4000 A	200 A	4000 A
124 x 93	LCTB 225/125(50)	29	1000 A	6000 A	600 A	6000 A	1000 A	6000 A	600 A	6000 A	600 A	6000 A
166 x 65	LCTB 225/167(50)	29	1500 A	7500 A	1000 A	7500 A	1500 A	7500 A	1000 A	7500 A	1000 A	7500 A
<b>Current transformers with vertical window for busbar or round conductor</b>												
41 x 103	LCTB 100/100V(45)	25	1200 A	2500 A	1000 A	2500 A	1200 A	2500 A	400 A	2500 A	400 A	2500 A
38 x 128	LCTB 100/130V(45)	25	NA	NA	1500 A	3000 A	NA	NA	400 A	3000 A	400 A	3000 A
Ø 86 / 100 x 30	LCTB 140/100V(45)	27	600 A	3000 A	400 A	3000 A	600 A	3000 A	200 A	3000 A	200 A	3000 A
70 x 130	LCTB 140/130V(45)	27	NA	NA	1000 A	5000 A	NA	NA	400 A	5000 A	400 A	5000 A
<b>Split core series</b>												
23 x 33	LCTS 93/30SC(40)	30	NA	NA	NA	NA	NA	NA	300 A	400 A	100 A	400 A
85 x 54	LCTS 125/50SC(40)	30	NA	NA	NA	NA	NA	NA	250 A	1000 A	250 A	1000 A
85 x 125	LCTS 155/80SC(40)	30	NA	NA	NA	NA	NA	NA	250 A	3000 A	250 A	3000 A
82 x 162	LCTS 195/80SC(64)	30	NA	NA	NA	NA	NA	NA	500 A	5000 A	500 A	5000 A
Ø 18,5	LCTS 50/18SC	32	-	-	-	-	-	-	-	-	150 A	250 A
Ø 32,5	LCTS 50/32SC	32	-	-	-	-	-	-	-	-	250 A	500 A
<b>3-phase current transformers</b>												
20 x 10	LCTP 75/ 15 (60)	31	NA	NA	NA	NA	NA	NA	150 A	160 A	100 A	160 A
20 x 10	LCTP 105/ 21 (40)	31	NA	NA	NA	NA	NA	NA	160 A	250 A	100 A	250 A
30 x 15	LCTP 140/ 31 (40)	31	NA	NA	NA	NA	NA	NA	250 A	630 A	250 A	630 A
N/A	LCTP 185/ 27 (45)	32	NA	NA	NA	NA	NA	NA	NA	NA	100 A	500 A
N/A	LCTP 185/ 37 (45)	32	NA	NA	NA	NA	NA	NA	NA	NA	300 A	800 A

3 YEAR WARRANTY

shop.lumel.com.pl

EPLAN

# CURRENT TRANSFORMERS SUMMARY

Hole diameter/ Busbar dimensions	Transformer type	Page no.	Range of primary currents												
			Class 0.25		Class 0.2		Class 0.5S		Class 0.5		Class 1		Class 5		
			min	max	min	max	min	max	min	max	min	max	min	max	
<b>Resin cast current transformers</b>															
Ø 30	LRC1 80/30 (50)	33	-	-	-	-	-	-	-	NA	NA	60 A	160 A	-	-
Ø 50	LRC2 90/50 (40)	33	-	-	-	-	-	-	-	NA	NA	200 A	320 A	-	-
Ø 72	LRC3 110/72 (40)	34	-	-	-	-	-	-	-	NA	NA	400 A	630 A	-	-
Ø 85	LRC4 135/85 (40)	34	-	-	-	-	-	-	-	NA	NA	800 A	1250 A	-	-
Ø 115	LRC5 165/115 (40)	35	-	-	-	-	-	-	-	NA	NA	1500 A	2000 A	-	-
Ø 130	LRC6 195/130 (40)	35	-	-	-	-	-	-	-	NA	NA	2500 A	3200 A	-	-
Ø 165	LRC7 230/165 (40)	36	-	-	-	-	-	-	-	NA	NA	3000 A	3200 A	-	-
Ø 200	LRC8 295/200 (40)	36	-	-	-	-	-	-	-	NA	NA	4000 A	5000 A	-	-
<b>Round current transformers</b>															
Ø 30	LW01	41	-	-	-	-	-	-	-	100 A	200 A	50 A	200 A	-	-
Ø 30	LW02	41	-	-	200 A	200 A	150 A	200 A	75 A	200 A	50 A	200 A	-	-	
Ø 43	LW03	42	-	-	200 A	300 A	200 A	300 A	100 A	300 A	75 A	300 A	-	-	
Ø 58	LW04	42	-	-	400 A	600 A	200 A	600 A	150 A	600 A	120 A	600 A	-	-	
Ø 72	LW05	43	-	-	400 A	1000 A	400 A	1000 A	250 A	1000 A	200 A	1000 A	-	-	
Ø 113	LW06	43	-	-	600 A	3200 A	600 A	3200 A	600 A	3200 A	600 A	3200 A	-	-	
Ø 30	LE 73/30 (50)	44	-	-	-	-	-	-	-	-	100 A	200 A	50 A	75 A	
Ø 43	LE 92/43 (41)	44	-	-	-	-	-	-	-	-	200 A	400 A	-	-	
Ø 50	LE 95/50 (40)	44	-	-	-	-	-	-	-	-	200 A	300 A	-	-	
Ø 58	LE 100/58 (41)	44	-	-	-	-	-	-	-	-	400 A	600 A	-	-	
Ø 72	LE 110/72 (41)	45	-	-	-	-	-	-	-	-	800 A	1000 A	-	-	
Ø 85	LE 135/85 (30)	45	-	-	-	-	-	-	-	-	800 A	1200 A	-	-	
Ø 113	LE 159/113 (40)	45	-	-	-	-	-	-	-	-	1200 A	2000 A	-	-	
Ø 130	LE 165/130 (30)	45	-	-	-	-	-	-	-	-	2400 A	3000 A	-	-	

3 YEAR WARRANTY

shop.lumel.com.pl



**ePLAN**

# GENERAL OVERVIEW OF CURRENT TRANSFORMERS

**CURRENT TRANSFORMER** is used for measurement of electric alternating currents. When current in a circuit (primary current) is too high to directly apply to measuring instruments, a current transformer produces a reduced current (secondary current) accurately proportional to the current in the circuit, which can be conveniently connected to measuring and recording instruments. A current transformer also isolates the measuring instruments from what may be very high voltage in the monitored circuit. Relationship between primary and secondary currents is called **rated transformation ratio**.



$$I_1 = I_2 \cdot \frac{N_2}{N_1}$$

where:  $I_1$  - primary current,  $I_2$  - secondary current,  $N_1$  - number of turns of primary winding,  $N_2$  - number of turns of secondary winding,  $N_2/N_1$  - rated transformation ratio  
Current transformers are used mainly in such a way that the cable from the measured shock or bus current passes through the main hole transformer, which is equivalent to one coil primary winding. In this case, the above equation simplifies to:

$$I_1 = I_2 \cdot N_2$$

The task is to reduce the transformer output current for currents of over 120% of measurement range, to protect against destruction of measuring devices connected to the transformer in case of surges or failures in the primary circuit.

## FEATURES:

- Wide range of accuracy classes: 0.2S, 0.2, 0.5S, 0.5, 1; 3
- Wide range of supported primary currents, the dimensions of rails, the length of casing and hole diameters.
- Multiple mounting methods, including wall mounting, DIN rail 35mm, the conductor, a current bar.
- Shields designed to seal connections.

## GENERAL SPECIFICATION

<b>Applicable standard:</b>	IEC 61869-1/2
<b>Case:</b>	10% glass filled polycarbonate, flame retardant grades classified UL 94V-0 or housing made of epoxy resin (LRC series only)
<b>Connection:</b>	Two connection on each side. M4 screws with self lifting clamp strap.
<b>Insulation class</b>	E (120°C max)
<b>Maximum system voltage:</b>	0.72 kV
<b>Test voltage:</b>	4kV, 1 min, 50Hz 3kV, 1 min, 50Hz (for LCTB 50/xx(30), LCTB 50xx(50))
<b>Operating frequency:</b>	50/60 Hz
<b>Rated primary rating:</b>	1 A ... 7500 A
<b>Rated secondary output:</b>	5 A or 1 A
<b>Rated burden:</b>	1, 1.25, 1.5, 2.5, 3.75, 5, 7.5, 10, 12.5, 15, 20, 30, 45, 60, 100 VA
<b>Accuracy class:</b>	0.2, 0.2S, 0.5S – for laboratory and power measurement 0.5 – for accurate measuring 1; 3 – for general measurement, for analog meters
<b>Ambient temperature:</b>	-25°C ... +40°C
<b>Operating temperature:</b>	-10°C ... +55°C
<b>Storage temperature:</b>	-50°C ... +80°C
<b>Rated continuous thermal current (<math>I_{cth}</math>):</b>	1,2 x $I_n$
<b>Thermal short circuit current (<math>I_{th}</math>):</b>	40 x $I_n$ for wound type 60 x $I_n$ for bus bar type
<b>Dynamic short circuit current (<math>I_{dyn}</math>):</b>	2.5 x $I_{th}$
<b>Instrument security factor (FS):</b>	2.5, 5, 10

## FEATURES:

**720 V**

**Class**  
0.2S 0.2  
0.5S 0.5  
1 3

## OUTPUTS:

**5 A**   **1 A**

## DEMAND FOR POWER MEASURING DEVICES:

CT users expect these devices fulfill two basic conditions:

- a high degree of accuracy in the nominal current,
- security functions with overloads.

In order to fulfill these stipulations it is necessary for the power of a current transformer offered to fully achieve the actual power requirements of the measurement setup. In ascertaining the actual power requirements, consideration is to be made not only of the loss of power of the appliances to be connected up, but also the losses incurred by the instrument leads.

# GENERAL OVERVIEW OF CURRENT TRANSFORMERS

Power requirements for measuring apparatus and relays:

- Analog moving-iron meters 0.7 – 1.5VA
- Rectifier current meters 0.001 – 0.250 VA
- Multi-range current meters 0.005 – 5.000 VA
- Current recorders 0.300-9.000 VA
- Bimetallic ammeters 2.5 – 3.0 VA
- Power meter 0.2 – 5.0 VA
- Power factor meter 2.0 – 6.0 VA
- Meters 0.4 – 1.0 VA
- Relays 0.2 – 6.0 VA
- Power transducers 0.5 VA
- Energy meters 2.5 VA

Internal losses of copper wiring:

$$P = \frac{I^2 \times 2 L}{q_{CU} \times 56} \text{ [VA]}$$

Where:  
 I – Secondary nominal current,  
 L – Distance in [m],  
 qCU – wire cross-section in [mm²].

CONNECTION DIAGRAMM OF CURRENT TRANSFORMERS

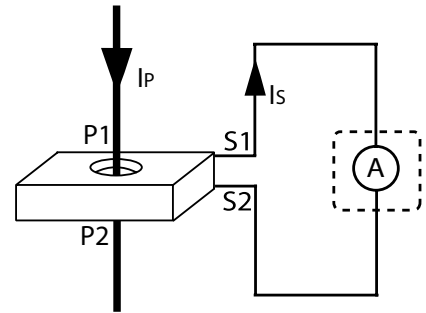


Table for values appertaining to 5 A

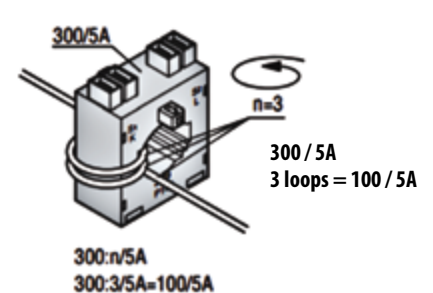
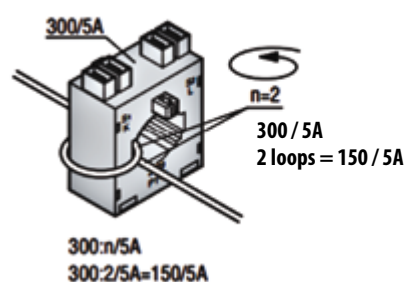
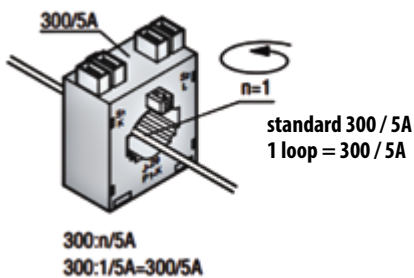
q <sub>cu</sub>	1 m	2 m	3 m	4 m	5 m	6 m	7 m	8 m	9 m	10 m
2.5 mm <sup>2</sup>	0.36	0.71	1.07	1.43	1.78	2.14	2.50	2.86	3.21	3.57
4.0 mm <sup>2</sup>	0.22	0.45	0.67	0.89	1.12	1.34	1.56	1.79	2.01	2.24
6.0 mm <sup>2</sup>	0.15	0.30	0.45	0.60	0.74	0.89	1.04	1.19	1.34	1.49
10.0 mm <sup>2</sup>	0.09	0.18	0.27	0.36	0.44	0.54	0.63	0.71	0.80	0.89

Table for values appertaining to 1 A

q <sub>cu</sub>	10 m	20 m	30 m	40 m	50 m	60 m	70 m	80 m	90 m	100 m
1.0 mm <sup>2</sup>	0.36	0.71	1.07	1.43	1.78	2.14	2.50	2.86	3.21	3.57
2.5 mm <sup>2</sup>	0.14	0.29	0.43	0.57	0.72	0.86	1.00	1.14	1.29	1.43
4.0 mm <sup>2</sup>	0.09	0.18	0.27	0.36	0.45	0.54	0.63	0.71	0.80	0.89
6.0 mm <sup>2</sup>	0.06	0.12	0.18	0.24	0.30	0.36	0.42	0.48	0.54	0.60
10.0 mm <sup>2</sup>	0.04	0.07	0.11	0.14	0.18	0.21	0.25	0.29	0.32	0.36

## Reducing the transformer ratio.

An example of measuring currents smaller than the rated current of the transformer.



3 YEAR WARRANTY  
 shop.lumel.com.pl







# INSTRUMENT SECURITY FACTOR

Transformer type		LCTB - busbar series																																								
		LCTB 74/20 (45)			LCTB 74/30 (45)			LCTB 74/40 (45)			LCTB 74/50 (45)			LCTB 86/40 (45)			LCTB 86/50 (45)			LCTB 86/60 (45)																						
Class	Range [A]	0.25	0.2	0.55	0.5	1	3	0.25	0.2	0.55	0.5	1	3	0.25	0.2	0.55	0.5	1	3	0.25	0.2	0.55	0.5	1	3	0.25	0.2	0.55	0.5	1	3	0.25	0.2	0.55	0.5	1	3					
<b>Instrument security factor (FS)</b>																																										
30							10						10																													
40							10						10																													
50							10						10																													
60							5						5																													
75							15						10																													
80							15						10																													
100							5						5																													
120							5						5																													
125							5						5																													
150							5						5																													
200							5						5																													
250							5						5																													
300							5						5																													
400							5						5																													
500							10						10																													
600							10						10																													
750							10						10																													
800							10						10																													
1000							5						5																													
1200							5						5																													
1250							5						5																													
1500							5						5																													
1600							5						5																													

# INSTRUMENT SECURITY FACTOR





Transformer type		LCTB - busbar series																							
		LCTB 100/100V (45)		LCTB 100/130V (45)		LCTB104/60 (45)		LCTB 104/80 (45)		LCTB 140/80 (45)		LCTB 140/100H (45)		LCTB 140/100V (45)		LCTB 140/130V (45)									
Class	Range [A]	0.25	0.2	0.55	0.5	1	0.25	0.2	0.55	0.5	1	0.25	0.2	0.55	0.5	1	0.25	0.2	0.55	0.5	1	0.2	0.5	1	
<b>Instrument security factor (F5)</b>																									
100																									
120						10																			
125						10																			
150					10	5																			
200					10	5																			
250						5																			
300						5																			
400						5																			
500						5																			
600						5																			
750						5																			
800						5																			
1000						5																			
1200						5																			
1250						5																			
1500						5																			
1600						5																			
2000						5																			
2500						5																			
3000						10																			
4000						10																			
5000						10																			

# INSTRUMENT SECURITY FACTOR

Transformer type	LCTB - busbar series		LCTS - split core series								LCTP - busbar series		LCTP - round conductor series	
	LCTB 225/125 (50)	LCTB 225/167 (50)	LCTS 93/30SC (40)	LCTS 125/50SC (40)	LCTS 155/80SC (40)	LCTS 195/80SC (64)	LCTS 50/18SC	LCTS 50/32SC	LCTP 75/15 (60)	LCTP 105/21 (40)	LCTP 140/31 (40)	LCTP 185/27 (45)	LCTP 185/37 (45)	
Class	1	0.5	1	0.5	1	0.5	1	1	0.5	1	0.5	1	1	
Range [A]	Instrument security factor (FS)													
60			10									5		
100												5		5
125												5		
150			10									5		10
160												5		
200			10									5		10
250			10	10	10	10	10	10 (x/1A) 15 (x/5A)	10 (x/1A) 15 (x/5A)	10 (x/1A) 15 (x/5A)	5	5	5	5
300			10	10	10	10	10	10 (x/1A) 15 (x/5A)	10 (x/1A) 15 (x/5A)	10 (x/1A) 15 (x/5A)	5	5	5	5
400			10	10	10	10	10	10 (x/1A) 15 (x/5A)	10 (x/1A) 15 (x/5A)	10 (x/1A) 15 (x/5A)	5	5	5	5
500				10	10	10	10	10 (x/1A) 15 (x/5A)	10 (x/1A) 15 (x/5A)	10 (x/1A) 15 (x/5A)	5	5	5	5
600				10	10	10	10	10 (x/1A) 15 (x/5A)	10 (x/1A) 15 (x/5A)	10 (x/1A) 15 (x/5A)	5	5	5	5
630														
750				10	10	10	10	10 (x/1A) 15 (x/5A)	10 (x/1A) 15 (x/5A)	10 (x/1A) 15 (x/5A)	5	5	5	5
800				10	10	10	10	10 (x/1A) 15 (x/5A)	10 (x/1A) 15 (x/5A)	10 (x/1A) 15 (x/5A)	5	5	5	5
1000				10	10	10	10	10 (x/1A) 15 (x/5A)	10 (x/1A) 15 (x/5A)	10 (x/1A) 15 (x/5A)	5	5	5	5
1200				10	10	10	10	10 (x/1A) 15 (x/5A)	10 (x/1A) 15 (x/5A)	10 (x/1A) 15 (x/5A)	5	5	5	5
1250				10	10	10	10	10 (x/1A) 15 (x/5A)	10 (x/1A) 15 (x/5A)	10 (x/1A) 15 (x/5A)	5	5	5	5
1500				10	10	10	10	10 (x/1A) 15 (x/5A)	10 (x/1A) 15 (x/5A)	10 (x/1A) 15 (x/5A)	5	5	5	5
1600				10	10	10	10	10 (x/1A) 15 (x/5A)	10 (x/1A) 15 (x/5A)	10 (x/1A) 15 (x/5A)	5	5	5	5
2000				10	10	10	10	10 (x/1A) 15 (x/5A)	10 (x/1A) 15 (x/5A)	10 (x/1A) 15 (x/5A)	5	5	5	5
2500				10	10	10	10	10 (x/1A) 15 (x/5A)	10 (x/1A) 15 (x/5A)	10 (x/1A) 15 (x/5A)	5	5	5	5
3000				10	10	10	10	10 (x/1A) 15 (x/5A)	10 (x/1A) 15 (x/5A)	10 (x/1A) 15 (x/5A)	5	5	5	5
3200														
4000			10	10	10	10	10	10 (x/1A) 15 (x/5A)	10 (x/1A) 15 (x/5A)	10 (x/1A) 15 (x/5A)	5	5	5	5
5000			15	15	15	15	15	15 (x/1A) 10 (x/5A)	15 (x/1A) 10 (x/5A)	15 (x/1A) 10 (x/5A)	5	5	5	5
6000			15	15	15	15	15	15 (x/1A) 10 (x/5A)	15 (x/1A) 10 (x/5A)	15 (x/1A) 10 (x/5A)	5	5	5	5
7500														

3 YEAR WARRANTY

shop.lumel.com.pl



# INSTRUMENT SECURITY FACTOR

Transformer type	LRC - resin cast current transformers															
	LRC1 80/30 (50)		LRC2 90/50 (40)		LRC3 110/72 (40)		LRC4 135/85 (40)		LRC5 165/115 (40)		LRC6 195/130 (40)		LRC7 230/165 (40)		LRC8 295/200 (40)	
Class	0.5	1	0.5	1	0.5	1	0.5	1	0.5	1	0.5	1	0.5	1	0.5	1
Range [A]																
60		10														
75		10														
100	10	5														
125	10	5														
150	10	5														
160	10	5														
200			5	5												
250			5	5												
300			5	5												
320			5	5												
400					5	5										
500					5	5										
600					5	5										
630					5	5										
750																
800							5	5								
1000							5	5								
1200							5	5								
1250							5	5								
1500									5	5						
1600									5	5						
2000									5	5						
2500											10	10				
3000											10	10	10	10		
3200											10	10	10	10		
4000															15	15
5000															15	15

Transformer type	LU01 - summation current transformer				
	LU01 (75)		LU01 (150)		
Class	0.5	1	0.5	1	
Inputs	Power	Instrument security factor (FS)			
2 x 5A	5 VA	5	5		
	10 VA	5	5		
	15 VA	5	5		
	20 VA		5		
	25 VA		5		
2 x 1A	5 VA	5	5		
	10 VA	5	5		
	15 VA	5	5		
	25 VA		5		
3 x 5A	5 VA	5	5		
	10 VA	5	5		
	15 VA	5	5		
	20 VA		5		
3 x 1A	25 VA		5		
	5 VA		5		
	10 VA	5			
4 x 5A	15 VA	5			
	5 VA	5	5		
	10 VA	5	5		
4 x 1A	15 VA	5			
	5 VA			10	10
	10 VA			5	5
	15 VA			5	5
5 x 5A	20 VA				5
	25 VA				5
	5 VA			10	10
	10 VA			5	5
5 x 1A	15 VA			5	5
	5 VA			10	10
	10 VA			5	5
	15 VA			5	5
6 x 5A	20 VA				5
	25 VA				5
	5 VA			10	10
	10 VA			5	5
6 x 1A	15 VA			5	5
	5 VA			10	10
	10 VA			5	5
7 x 5A	15 VA			5	5
	20 VA				5
	25 VA				5
	5 VA			10	10
7 x 1A	15 VA			5	
	5 VA			10	10
8 x 5A	10 VA			10	10
	15 VA			5	5
	20 VA				5
	25 VA				5

3 YEAR WARRANTY

shop.lumel.com.pl

EPLAN

# INSTRUMENT SECURITY FACTOR

Transformer type	LW - round current transformer																	
	LW01			LW02			LW03			LW04			LW05			LW06		
	0.5	1	0.2	0.5S	0.5	1	0.2	0.5S	0.5	1	0.2	0.5S	0.5	1	0.2	0.5S	0.5	1
Class	5	5	5	5	5	5	5	5	5	5	5	5	5	5	5	5	5	5
Range [A]	10	10	10	10	10	10	10	10	10	10	10	10	10	10	10	10	10	10
50																		
60																		
75																		
100																		
120																		
125																		
150																		
200																		
250																		
300																		
400																		
500																		
600																		
800																		
1000																		
1200																		
1250																		
1500																		
1600																		
2000																		
2500																		
3000																		
3200																		
4000																		
5000																		

Transformer type	LE - round current transformer															
	LE 73/30 (50)		LE 92/43 (41)		LE 95/50 (40)		LE 100/58 (41)		LE 110/72 (41)		LE 135/85 (30)		LE 159/113 (40)		LE 165/130 (30)	
	1	5	1	1	1	1	1	1	1	1	1	1	1	1	1	1
Class	5	5	5	5	5	5	5	5	5	5	5	5	5	5	5	5
Range [A]	5	5	5	5	5	5	5	5	5	5	5	5	5	5	5	5
50																
60																
75																
100																
120																
125																
150																
200																
250																
300																
400																
500																
600																
800																
1000																
1200																
1250																
1500																
1600																
2000																
2500																
3000																
3200																
4000																
5000																

# LCTM - WOUND PRIMARY SERIES



INPUT:

1 A  
...  
60 A

OUTPUTS:

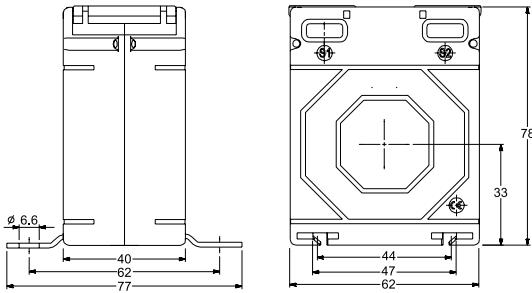
5 A 1 A

	LCTM 62/W (40)	LCTM 74/W (45)
Depth	40 mm	45 mm
Width	62 mm	74 mm
Primary current	1 A...30 A	1 A...60 A
Secondary current	1 A, 5 A	
Accuracy class	0.2; 0.5; 1	

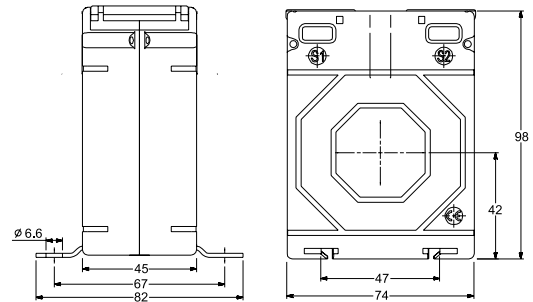


## DIMENSIONS

LCTM 62/W (40)



LCTM 74/W (45)



## ORDERING CODES

LCTM 62W040 [ ] [ ] [ ] [ ] [ ] [ ] [ ] [ ] [ ] [ ]

LCTM 74W045 [ ] [ ] [ ] [ ] [ ] [ ] [ ] [ ] [ ] [ ]

Secondary current	Code
x/5A	5
x/1A	1

Secondary current	Code
x/5A	5
x/1A	1

Transformer type	LCTM 62/W (40)		
Accuracy class	0,2	0,5	1
Code	2	5	1

Transformer type	LCTM 74/W (45)		
Accuracy class	0.2	0.5	1
Code	2	5	1

Code	Rated primary current	Transformer burden		
0001A	1A	1VA	2.5VA	5VA
02.5A	2.5 A	1VA	2.5VA	5VA
0005A	5 A	1VA	2.5VA	5VA
07.5A	7.5 A	1VA	2.5VA	5VA
0010A	10 A	1VA	2.5VA	5VA
0015A	15 A	1VA	2.5VA	5VA
0020A	20 A	1VA	2.5VA	5VA
0025A	25 A	1VA	2.5VA	5VA
0030A	30 A	1VA	2.5VA	5VA

Code	Rated primary current	Transformer burden		
0001A	1A	1.5VA	5VA	10VA
02.5A	2.5 A	1.5VA	5VA	10VA
0005A	5 A	1.5VA	5VA	10VA
07.5A	7.5 A	1.5VA	5VA	10VA
0010A	10 A	1.5VA	5VA	10VA
0015A	15 A	1.5VA	5VA	10VA
0020A	20 A	1.5VA	5VA	10VA
0025A	25 A	1.5VA	5VA	10VA
0030A	30 A	1.5VA	5VA	10VA
0040A	40 A	1.5VA	5VA	10VA
0050A	50 A	1.5VA	5VA	10VA
0060A	60 A	1.5VA	5VA	10VA

Ordering example: Order code LCTM 62W0400030A55 means the transformer LCTM 62/W(40) 30/5A; Class 0.5; power 2.5VA

ACCESSORIES:  
DIN rail mounting base  
Order code: LH000-0904-130-124

3 YEAR WARRANTY

shop.lumel.com.pl

ePLAN

# LCTR - ROUND CONDUCTOR SERIES

	LCTR 45/14 (40)	LCTR 50/14 (30)	LCTR 50/14 (50)	LCTR 62/R (40)
Hole diameter	∅ 14 mm	∅ 14 mm	∅ 14 mm	∅ 22 mm
Depth	40 mm	31 mm	51 mm	40 mm
Width	45 mm	50 mm	50 mm	62 mm
Primary current	30 A...300 A	40 A...300 A	30 A...300 A	50 A...600 A
Secondary current	1 A, 5 A			
Accuracy class	0.5; 1; 3		0.2; 0.5S; 0.5; 1; 3	

INPUT:

30 A  
...  
600 A

OUTPUTS:

5 A 1 A



3 YEAR WARRANTY

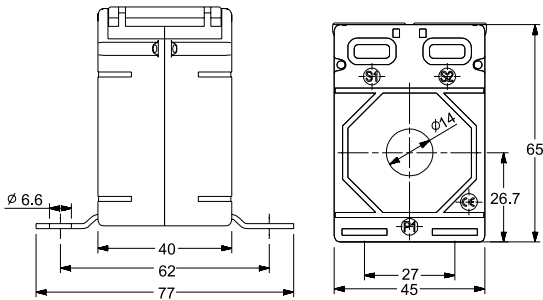
shop.lumel.com.pl



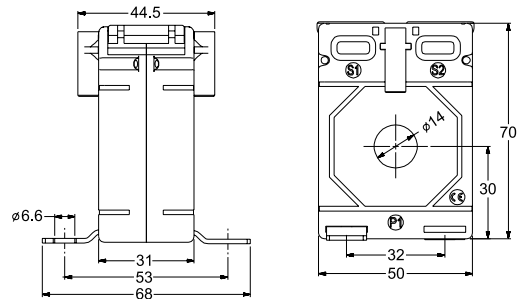
EPLAN

## DIMENSIONS

LCTR 45/14 (40)



LCTR 50/14 (30)



## ORDERING CODES

LCTR 451440

LCTR 501430

Secondary current		Code	
x/5A		5	
x/1A		1	

Transformer type	LCTR 45/14 (40)						
	Accuracy class	0.5	1	3			
Code	Rated primary current	Transformer burden			Code		
	0030A	30 A	-	1 VA		1.5 VA	1
	0040A	40 A	-	1 VA		1.5 VA	
	0050A	50 A	-	1.5 VA		2.5 VA	
	0060A	60 A	-	1.5 VA		2.5 VA	
	0075A	75 A	-	2.5 VA		3.75 VA	
	0080A	80 A	1 VA	2.5 VA		3.75 VA	5
	0100A	100 A	1.5 VA	3.75 VA		3.75 VA	
	0120A	120 A	1.5 VA	3.75 VA		5 VA	
	0125A	125 A	2.5 VA	3.75 VA		5 VA	
0150A	150 A	2.5 VA	5 VA	5 VA			
0200A	200 A	3.75 VA	7.5 VA	7.5 VA	5		
0250A	250 A	5 VA	7.5 VA	10 VA			
0300A	300 A	5 VA	10 VA	12.5 VA			

Secondary current		Code	
x/5A		5	
x/1A		1	

Transformer type	LCTR 50/14 (30)						
	Accuracy class	0.5	1	3			
Code	Rated primary current	Transformer burden			Code		
	0040A	40 A	-	1 VA		1.5 VA	1
	0050A	50 A	-	1.5 VA		2 VA	
	0060A	60 A	-	1.5 VA		2 VA	
	0075A	75 A	-	1.5 VA		2.5 VA	
	0080A	80 A	-	1.5 VA		2.5 VA	
	0100A	100 A	2.5 VA	3.75 VA		5 VA	5
	0120A	120 A	2.5 VA	3.75 VA		5 VA	
	0125A	125 A	2.5 VA	3.75 VA		5 VA	
	0150A	150 A	3.75 VA	5 VA		7.5 VA	
0200A	200 A	3.75 VA	5 VA	7.5 VA			
0250A	250 A	5 VA	7.5 VA	7.5 VA	5		
0300A	300 A	7.5 VA	7.5 VA	7.5 VA			

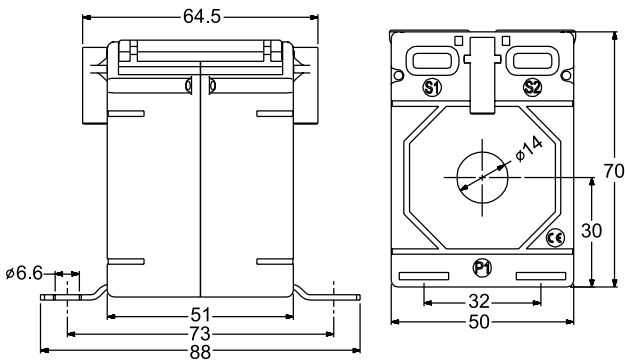
**Ordering example:** Order code LCTR 4514400100A55 means the transformer LCTR 45/14(40) 100/5A meeting the requirements of the class:

- kl. 0.5 1.5 VA
- kl. 1 3.75 VA
- kl. 3 3.75 VA

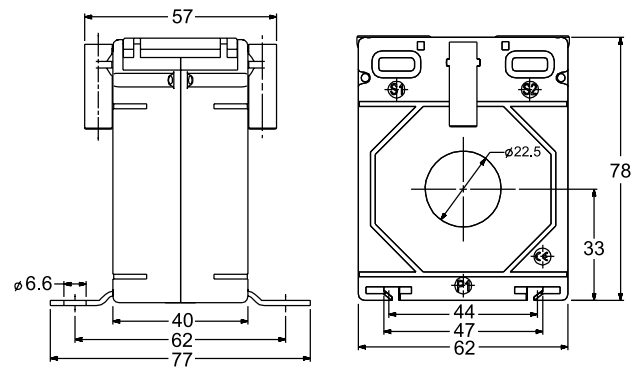
# LCTR - ROUND CONDUCTOR SERIES

## DIMENSIONS

### LCTR 50/14 (50)



### LCTR 62/R (40)



## ORDERING CODES

LCTR 501450

LCTR 62R040

Secondary current	Code
x/5A	5
x/1A	1

Secondary current	Code
x/5A	5
x/1A	1

Transformer type	LCTR 50/14 (50)		
Accuracy class	0.5	1	3

Transformer type	LCTR 62/R (40)					
Accuracy class	0.2S	0.2	0.5S	0.5	1	3
Code	S	2	R	-	-	-

Code	Rated primary current	Transformer burden			Code
0030A	30 A	-	1 VA	1 VA	1
0040A	40 A	-	1 VA	1 VA	
0050A	50 A	1.5 VA	1.5 VA	2 VA	
0060A	60 A	1.5 VA	1.5 VA	2.5 VA	
0075A	75 A	2.5 VA	5 VA	5 VA	
0080A	80 A	2.5 VA	5 VA	7.5 VA	
0100A	100 A	3.75 VA	5 VA	7.5 VA	
0120A	120 A	3.75 VA	5 VA	7.5 VA	
0125A	125 A	3.75 VA	5 VA	7.5 VA	
0150A	150 A	5 VA	7.5 VA	10 VA	
0200A	200 A	7.5 VA	10 VA	12.5 VA	5
0250A	250 A	10 VA	12.5 VA	15 VA	
0300A	300 A	10 VA	12.5 VA	15 VA	

Code	Rated primary current	Transformer burden						Code		
0050A	50 A	-	-	-	-	1.5 VA	2.5 VA	1		
0060A	60 A	-	-	-	-	2.5 VA	3.75 VA			
0075A	75 A	-	-	-	1.5 VA	2.5 VA	3.75 VA			
0080A	80 A	-	-	-	2.5 VA	2.5 VA	3.75 VA			
0100A	100 A	-	1.5 VA	-	2.5 VA	5 VA	7.5 VA			
0120A	120 A	-	1.5 VA	-	3.75 VA	5 VA	7.5 VA			
0125A	125 A	-	1.5 VA	-	3.75 VA	5 VA	7.5 VA			
0150A	150 A	2.5 VA	2.5 VA	2.5 VA	5 VA	5 VA*	7.5 VA		10 VA	
0200A	200 A	5 VA	5 VA	5 VA	5 VA*	7.5 VA	5 VA*		10 VA	12.5 VA
0250A	250 A	5 VA	5 VA	5 VA	10 VA	15 VA	15 VA		5	
0300A	300 A	5 VA	5 VA	5 VA	10 VA	15 VA	15 VA			
0400A	400 A	5 VA	7.5 VA	5 VA	15 VA	15 VA	20 VA			
0500A	500 A	10 VA	10 VA	10 VA	15 VA	15 VA	20 VA			
0600A	600 A	10 VA	10 VA	10 VA	15 VA	15 VA	20 VA			

**Ordering example:** Order code LCTR 5014500100A55 means the transformer LCTR 50/14(50) 100/5A meeting the requirements of the class:

- kl. 0.5 3.75 VA
- kl. 1 5 VA
- kl. 3 7.5 VA

\* The custom value of the nominal power, which should be given when ordering the transformer.

**ACCESSORIES:**  
DIN rail mounting base  
- for details see page 46



# LCTB 45 - BUSBAR SERIES

LCTB 45/21 (40)	
Hole diameter	∅ 20 mm
Busbar	20 x 10 mm
Depth	40 mm
Width	45 mm
Primary current	50 A...400 A
Secondary current	1 A, 5 A
Accuracy class	0.5; 1; 3

INPUT:

50 A  
...  
400 A

OUTPUTS:

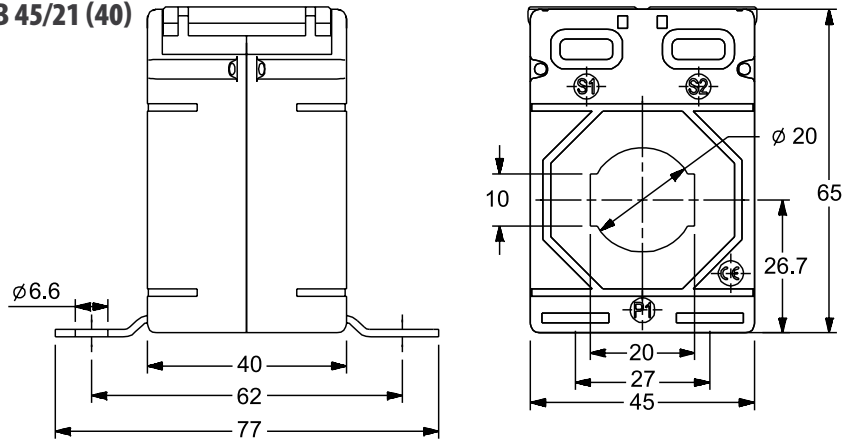
5 A 1 A



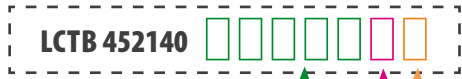
3 YEAR WARRANTY

## DIMENSIONS

LCTB 45/21 (40)



## ORDERING CODES



Secondary current	Code
x/5A	5
x/1A	1

Code	Transformer type	LCTB 45/21(40)			Code
		Accuracy class	0.5	1	
Code	Primary current	Transformer burden			
0050A	50 A	-	1.5 VA	2 VA	1
0060A	60 A	-	1.5 VA	2 VA	
0075A	75 A	-	2.5 VA	3 VA	
0080A	80 A	1 VA	2.5 VA	3 VA	5
0100A	100 A	1.5 VA	3.75 VA	3.75 VA	
0120A	120 A	1.5 VA	3.75 VA	3.75 VA	
0125A	125 A	2.5 VA	3.75 VA	5 VA	
0150A	150 A	2.5 VA	5 VA	5 VA	
0200A	200 A	3.75 VA	5 VA	5 VA	
0250A	250 A	3.75 VA	5 VA	7.5 VA	
0300A	300 A	5 VA	5 VA	7.5 VA	
0400A	400 A	5 VA	5 VA	7.5 VA	

**Ordering example:** Order code LCTB 4521400100A55 means the transformer LCTB 45/21(40) 100/5A meeting the requirements of the class:

- kl. 0.5 1.5 VA
- kl. 1 3.75 VA
- kl. 3 3.75 VA

**ACCESSORIES:**  
DIN rail mounting base  
**Order code:** LH000-0904-130-002

shop.lumel.com.pl



# LCTB 50 - BUSBAR SERIES



INPUT:

40 A  
...  
600 A

OUTPUTS:

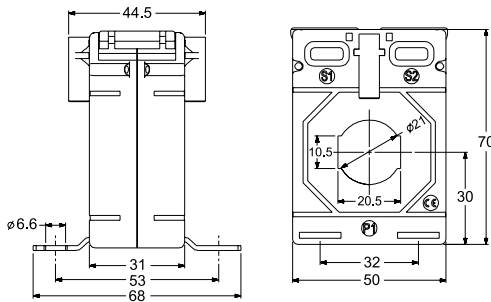
5 A 1 A



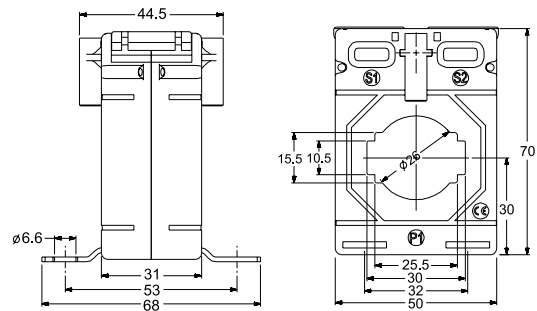
	LCTB 50/21 (30)	LCTB 50/30 (30)	LCTB 50/21 (50)	LCTB 50/30 (50)
Hole diameter	∅ 21 mm	∅ 26 mm	∅ 21 mm	∅ 26 mm
Busbar	20 x 10 mm	30 x 10 mm	20 x 10 mm	30 x 10 mm
Depth	31 mm	31 mm	51 mm	51 mm
Width	50 mm	50 mm	50 mm	50 mm
Primary current	40 A...400 A	75 A...600 A	50 A...400 A	50 A... 600 A
Secondary current				1 A, 5 A
Accuracy class				0.5; 1; 3

## DIMENSIONS

LCTB 50/21 (30)



LCTB 50/30 (30)



## ORDERING CODES

LCTB 502130

LCTB 503030

Secondary current	Code
x/5A	5
x/1A	1

Secondary current	Code
x/5A	5
x/1A	1

Code	Rated primary current	Transformer burden			Code
		0.5	1	3	
0040A	40 A	-	-	1 VA	3
0050A	50 A	-	1 VA	2 VA	
0060A	60 A	-	1 VA	2 VA	
0075A	75 A	-	1.5 VA	2.5 VA	1
0080A	80 A	1 VA	2.5 VA	3.75 VA	
0100A	100 A	1.5 VA	2.5 VA	3.75 VA	
0120A	120 A	2.5 VA	2.5 VA	3.75 VA	5
0125A	125 A	2.5 VA	3.75 VA	5 VA	
0150A	150 A	2.5 VA	5 VA	5 VA	
0200A	200 A	3.75 VA	5 VA	5 VA	
0250A	250 A	5 VA	5 VA	5 VA	
0300A	300 A	5 VA	7.5 VA	7.5 VA	
0400A	400 A	5 VA	7.5 VA	7.5 VA	

Code	Rated primary current	Transformer burden			Code
		0.5	1	3	
0075A	75 A	-	1 VA	1.5 VA	1
0080A	80 A	-	1.5 VA	2 VA	
0100A	100 A	1 VA	2.5 VA	2.5 VA	
0120A	120 A	1 VA	2.5 VA	3 VA	5
0125A	125 A	1 VA	2.5 VA	3 VA	
0150A	150 A	2.5 VA	3.75 VA	3.75 VA	
0200A	200 A	2.5 VA	5 VA	5 VA	
0250A	250 A	5 VA	5 VA	6.25 VA	
0300A	300 A	5 VA	5 VA	6.25 VA	
0400A	400 A	5 VA	5 VA *   6.25 VA	6.25 VA	
0500A	500 A	5 VA	6.25 VA	7.5 VA	
0600A	600 A	5 VA	7.5 VA	10 VA	

Ordering example: Order code LCTB 5021300100A55 means the transformer LCTB 50/21(30) 100/5A meeting the requirements of the class: kl. 0.5 1.5 VA; kl. 1 2.5 VA; kl. 3 3.75 VA

\* The custom value of the nominal power, which should be given when ordering the transformer.

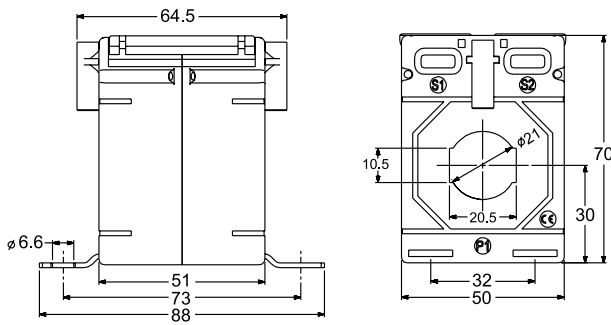
3 YEAR WARRANTY  
shop.lumel.com.pl



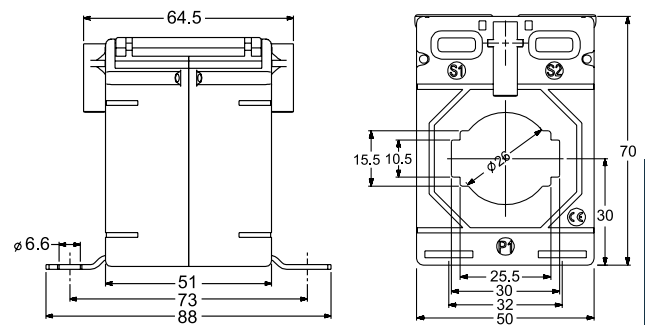
# LCTB 50 - BUSBAR SERIES

## DIMENSIONS

### LCTB50/21 (50)



### LCTB 50/30 (50)



## ORDERING CODES

LCTB 502150

Secondary current	Code
x/5A	5
x/1A	1

Transformer type	LCTB 50/21 (50)		
	Accuracy class	0.5	1

Code	Rated primary current	Transformer burden			Code
		0.5	1	3	
0050A	50 A	1 VA	2.5 VA	3 VA	5
0060A	60 A	1 VA	2.5 VA	3.75 VA	
0075A	75 A	1.5 VA	2.5 VA	3.75 VA	
0080A	80 A	2.5 VA	5 VA	5 VA	
0100A	100 A	2.5 VA	5 VA	7.5 VA	
0120A	120 A	3.75 VA	5 VA	7.5 VA	
0125A	125 A	5 VA	5 VA	7.5 VA	
0150A	150 A	5 VA	10 VA	10 VA	
0200A	200 A	7.5 VA	10 VA	12.5 VA	
0250A	250 A	7.5 VA	10 VA	15 VA	
0300A	300 A	7.5 VA	12.5 VA	15 VA	
0400A	400 A	10 VA	15 VA	15 VA	

LCTB 503050

Secondary current	Code
x/5A	5
x/1A	1

Transformer type	LCTB 50/30 (50)		
	Accuracy class	0.5	1

Code	Rated primary current	Transformer burden			Code
		0.5	1	3	
0050A	50 A	-	1.5 VA	1.5 VA	1
0060A	60 A	-	1.5 VA	2 VA	
0075A	75 A	-	2.5 VA	2.5 VA	
0080A	80 A	-	2.5 VA	3.75 VA	
0100A	100 A	1 VA	3.75 VA	3.75 VA	
0120A	120 A	2.5 VA	5 VA	5 VA	
0125A	125 A	2.5 VA	5 VA	5 VA	
0150A	150 A	5 VA	5 VA	7.5 VA	
0200A	200 A	5 VA	7.5 VA	10 VA	
0250A	250 A	5 VA	10 VA	10 VA	
0300A	300 A	5 VA	10 VA	10 VA	
0400A	400 A	10 VA	12.5 VA	12.5 VA	
0500A	500 A	10 VA	12.5 VA	15 VA	
0600A	600 A	10 VA	15 VA	15 VA	

**Ordering example:** Order code LCTB 5021500100A55 means the transformer LCTB 50/21(50) 100/5A meeting the requirements of the class:

- kl. 0.5 2.5 VA
- kl. 1 5 VA
- kl. 3 7.5 VA

### ACCESSORIES:

DIN rail mounting base  
- for details see page 46

3 YEAR WARRANTY

shop.lumel.com.pl

EPLAN

# LCTB 62 - BUSBAR SERIES



INPUT:

40 A

... 800 A

OUTPUTS:

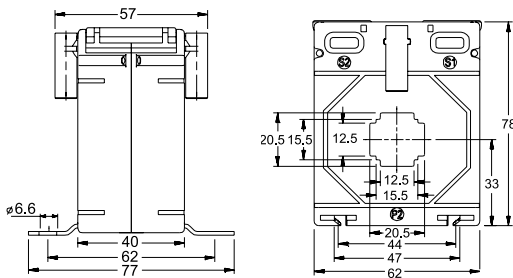
5 A

1 A

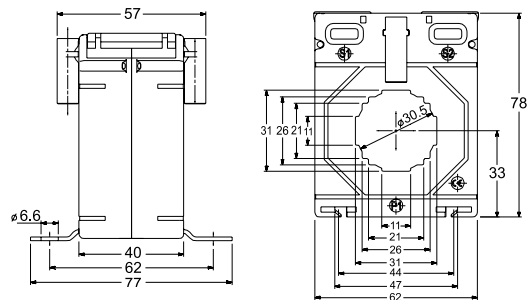
	LCTB 62/20 (40)	LCTB 62/30 (40)	LCTB 62/30 (50)	LCTB 62/40 (40)
Hole diameter	-	∅ 30 mm	∅ 28 mm	∅ 31 mm
Busbar	20x12 mm	30x10 mm, 2x25 x10 mm	30x10 mm	40x10 mm, 2 x 30 x 10 mm
Depth	40 mm	40 mm	50 mm	40 mm
Width	62 mm	62 mm	62 mm	62 mm
Primary current	50A...400A	50 A...800 A	40 A...800 A	100 A...800 A
Secondary current	1 A, 5 A			
Accuracy class	0.2S; 0.2; 0.5S; 0.5; 1; 3			

## DIMENSIONS

LCTB 62/20 (40)



LCTB 62/30 (40)



## ORDERING CODES

LCTB 622040

LCTB 623040

Secondary current	Code
x/5A	5
x/1A	1

Secondary current	Code
x/5A	5
x/1A	1

Transformer type	LCTB 62/20 (40)					
Accuracy class	0.2S	0.2	0.5S	0.5	1	3
Code	S	2	R			

Transformer type	LCTB 62/30 (40)					
Accuracy class	0.2S	0.2	0.5S	0.5	1	3
Code	S	2	R			

Code	Rated primary current	Transformer burden						Code
0050A	50 A	-	-	-	-	1.5 VA	2.5 VA	1
0060A	60 A	-	-	-	-	2.5 VA	3.75 VA	
0075A	75 A	-	-	-	1.5 VA	3.75 VA	3.75 VA	
0080A	80 A	-	-	-	2.5 VA	3.75 VA	3.75 VA	
0100A	100 A	1.5 VA	1.5 VA	1.5 VA	2.5 VA	5 VA	7.5 VA	5
0120A	120 A	1.5 VA	1.5 VA	1.5 VA	3.75 VA	5 VA	7.5 VA	
0125A	125 A	1.5 VA	1.5 VA	1.5 VA	3.75 VA	5 VA	7.5 VA	
0150A	150 A	2 VA	2.5 VA	2.0 VA	5 VA	7.5 VA	10 VA	
0200A	200 A	3.75 VA	5 VA	3.75 VA	7.5 VA	10 VA	12.5 VA	
0250A	250 A	3.75 VA	5 VA	3.75 VA	10 VA	15 VA	15 VA	
0300A	300 A	3.75 VA	5 VA	3.75 VA	10 VA	15 VA	15 VA	
0400A	400 A	5 VA	7.5 VA	5 VA	15 VA	15 VA	20 VA	
0500A	500 A	5 VA	10 VA	5 VA	15 VA	15 VA	20 VA	

Code	Rated primary current	Transformer burden						Code
0050A	50 A	-	-	-	-	1.25 VA	2 VA	1
0060A	60 A	-	-	-	-	1.5 VA	2 VA	
0075A	75 A	-	-	-	-	1.5 VA	2 VA	
0080A	80 A	-	-	-	-	2 VA	2.5 VA	
0100A	100 A	1 VA	1 VA	1 VA	1.5 VA	2.5 VA	3.75 VA	5
0120A	120 A	1 VA	1 VA	1 VA	2.5 VA	3.75 VA	5 VA	
0125A	125 A	1 VA	1 VA	1 VA	2.5 VA	3.75 VA	5 VA	
0150A	150 A	2.5 VA	1.5 VA	2.5 VA	3.75 VA	5 VA	7.5 VA	
0200A	200 A	5 VA	2.5 VA	5 VA	5 VA	7.5 VA	10 VA	
0250A	250 A	5 VA	3.75 VA	5 VA	5 VA	10 VA	15 VA	
0300A	300 A	5 VA	3.75 VA	5 VA	10 VA	10 VA	15 VA	
0400A	400 A	5 VA	5 VA	5 VA	12.5 VA	12.5 VA	15 VA	
0500A	500 A	5 VA	7.5 VA	5 VA	12.5 VA	12.5 VA	15 VA	
0600A	600 A	7.5 VA	7.5 VA	7.5 VA	15 VA	15 VA	20 VA	
0750A	750 A	10 VA	10 VA	10 VA	15 VA	15 VA	20 VA	
0800A	800 A	10 VA	10 VA	10 VA	15 VA	15 VA	20 VA	

Ordering example: Order code LCTB 6220400100A55 means the transformer LCTB 62/20(40) 100/5A meeting the requirements of the class: kl. 0.5 - 2.5 VA; kl. 1 - 5 VA; kl. 3 - 7.5 VA

3 YEAR WARRANTY

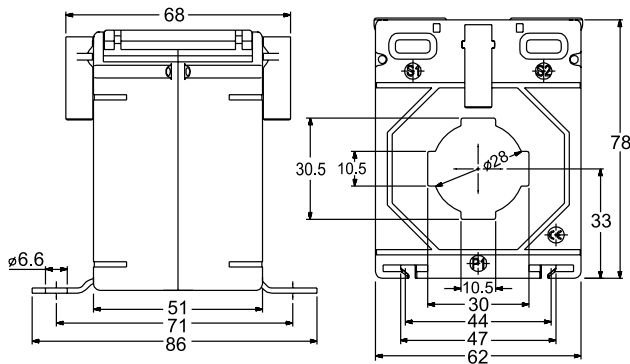
shop.lumel.com.pl

ePLAN

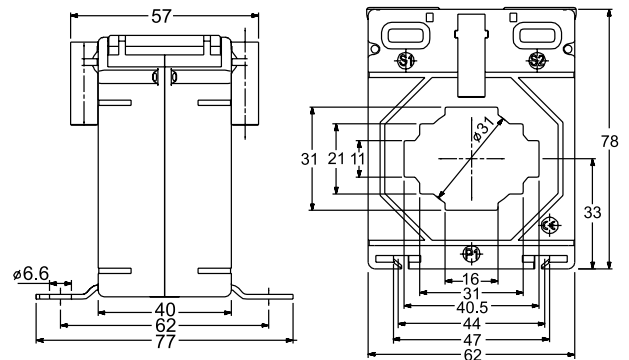
# LCTB 62 - BUSBAR SERIES

## DIMENSIONS

### LCTB 62/30 (50)



### LCTB 62/40 (40)



## ORDERING CODES

LCTB 623050 [ ][ ][ ][ ][ ][ ][ ][ ]

LCTB 624040 [ ][ ][ ][ ][ ][ ][ ][ ]

Secondary current	Code
x/5A	5
x/1A	1

Secondary current	Code
x/5A	5
x/1A	1

Transformer type	LCTB 62/30 (50)					
Accuracy class	0.2S	0.2	0.5S	0.5	1	3
Code	S	2	R			

Transformer type	LCTB 62/40 (40)					
Accuracy class	0.2S	0.2	0.5S	0.5	1	3
Code	S	2	R			

Code	Rated primary current	Transformer burden						Code
0040A	40 A	-	-	-	-	-	1 VA	3
0050A	50 A	-	-	-	-	1.5 VA	2.5 VA	1
0060A	60 A	-	-	-	-	2.5 VA	3.75 VA	
0075A	75 A	-	-	-	2.5 VA	2.5 VA	3.75 VA	5
0080A	80 A	-	-	-	2.5 VA	3.75 VA	5 VA	
0100A	100 A	1.25 VA	1.25 VA	1.25 VA	2.5 VA	5 VA	7.5 VA	
0120A	120 A	1.25 VA	1.25 VA	1.25 VA	5 VA	5 VA	7.5 VA	
0125A	125 A	1.25 VA	1.25 VA	1.25 VA	5 VA	5 VA	7.5 VA	
0150A	150 A	2 VA	2 VA	2 VA	5 VA	7.5 VA	10 VA	
0200A	200 A	5 VA	3.75 VA	5 VA	10 VA	15 VA	15 VA	
0250A	250 A	5 VA	5 VA	5 VA	15 VA	15 VA	20 VA	
0300A	300 A	5 VA	5 VA	5 VA	15 VA	15 VA	20 VA	
0400A	400 A	10 VA	6.25 VA	10 VA	15 VA	30 VA	30 VA	
0500A	500 A	5 VA	7.5 VA	5 VA	15 VA	30 VA	30 VA	
0600A	600 A	6.25 VA	10 VA	6.25 VA	20 VA	30 VA	30 VA	
0750A	750 A	6.25 VA	10 VA	6.25 VA	20 VA	30 VA	30 VA	
0800A	800 A	6.25 VA	10 VA	6.25 VA	20 VA	30 VA	35 VA	

Code	Rated primary current	Transformer burden						Code	
0100A	100 A	-	-	-	-	1 VA	1.5 VA	1	
0120A	120 A	-	-	-	-	1.5 VA	2.5 VA		
0125A	125 A	-	-	-	-	1.5 VA	2.5 VA		
0150A	150 A	-	-	-	-	2.5 VA	3 VA	5	
0200A	200 A	1 VA	1 VA	1 VA	1.5 VA	3.75 VA	3.75 VA		
0250A	250 A	1.5 VA	1.5 VA	1.5 VA	2.5 VA	5 VA	5 VA		
0300A	300 A	1.5 VA	1.5 VA	1.5 VA	5 VA	5 VA	5 VA		
0400A	400 A	2.5 VA	2.5 VA	2.5 VA	5 VA	5 VA	7.5 VA		
0500A	500 A	2.5 VA	5 VA	3.75 VA	5 VA	5 VA*	7.5 VA		10 VA
0600A	600 A	2.5 VA	7.5 VA	2.5 VA	7.5 VA	10 VA	12.5 VA		
0750A	750 A	5 VA	10 VA	5 VA	10 VA	10 VA	12.5 VA		
0800A	800 A	5 VA	10 VA	5 VA	10 VA	10 VA	12.5 VA		

\* The custom value of the nominal power, which should be given when ordering the transformer.

**Ordering example:** Order code LCTB 6230500100A55 means the transformer LCTB 62/30(50) 100/5A meeting the requirements of the class:

- kl. 0.5 2.5 VA
- kl. 1 5 VA
- kl. 3 7.5 VA

### ACCESSORIES:

- DIN rail mounting base
- for details see page 46

3 YEAR WARRANTY  
shop.lumel.com.pl



# LCTB 74 - BUSBAR SERIES



INPUT:

**30 A**  
...  
**1000 A**

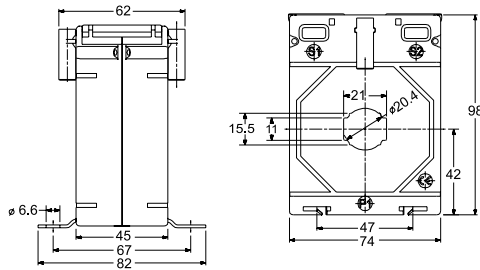
OUTPUTS:

**5 A** **1 A**

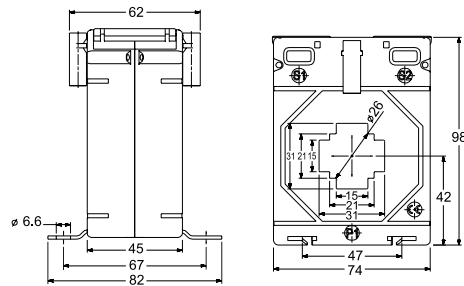
	LCTB 74/20 (45)	LCTB 74/30 (45)	LCTB 74/40 (45)	LCTB 74/50 (45)
Hole diameter	∅ 20 mm	∅26 mm	∅35 mm	∅ 41 mm
Busbar	20x10 mm	30x15 mm, 2x20x10 mm	40x12 mm, 2x30 x15 mm	50x12 mm, 2 x40x10 mm
Depth	45 mm	45 mm	45 mm	45 mm
Width	74 mm	74 mm	74 mm	74 mm
Primary current	30 A...400 A	30 A...800 A	40 A...1000 A	100 A...1000 A
Secondary current	1 A, 5 A			
Accuracy class	0.2S; 0.2; 0.5S; 0.5; 1; 3			

## DIMENSIONS

LCTB 74/20 (45)



LCTB 74/30 (45)



## ORDERING CODES

LCTB 742045

LCTB 743045

Secondary current	Code
x/5A	5
x/1A	1

Secondary current	Code
x/5A	5
x/1A	1

Transformer type	LCTB 74/20 (45)					
Accuracy class	0.2S	0.2	0.5S	0.5	1	3
Code	S	2	R	-	-	-

Transformer type	LCTB 74/30 (45)					
Accuracy class	0.2S	0.2	0.5S	0.5	1	3
Code	S	2	R	-	-	-

Code	Rated primary current	Transformer burden						Code
0030A	30 A	-	-	-	-	-	1.5 VA	3
0040A	40 A	-	-	-	-	1.5 VA	2 VA	1
0050A	50 A	-	-	-	-	2.5 VA	3.75 VA	5
0060A	60 A	-	-	-	-	3.75 VA	5 VA	
0075A	75 A	-	-	-	1.5 VA	5 VA	7.5 VA	5
0080A	80 A	-	-	-	1.5 VA	5 VA	7.5 VA	
0100A	100 A	1.5 VA	1.5 VA	1.5 VA	5 VA	7.5 VA	10 VA	
0120A	120 A	1.5 VA	1.5 VA	1.5 VA	5 VA	10 VA	12.5 VA	
0125A	125 A	1.5 VA	1.5 VA	1.5 VA	5 VA	10 VA	12.5 VA	
0150A	150 A	2.5 VA	2.5 VA	2.5 VA	7.5 VA	12.5 VA	15 VA	
0200A	200 A	5 VA	5 VA	5 VA	10 VA	15 VA	20 VA	
0250A	250 A	5 VA	5 VA	5 VA	10 VA	15 VA	20 VA	
0300A	300 A	5 VA	7.5 VA	5 VA	15 VA	15 VA	20 VA	
0400A	400 A	5 VA	10 VA	5 VA	15 VA	20 VA	25 VA	

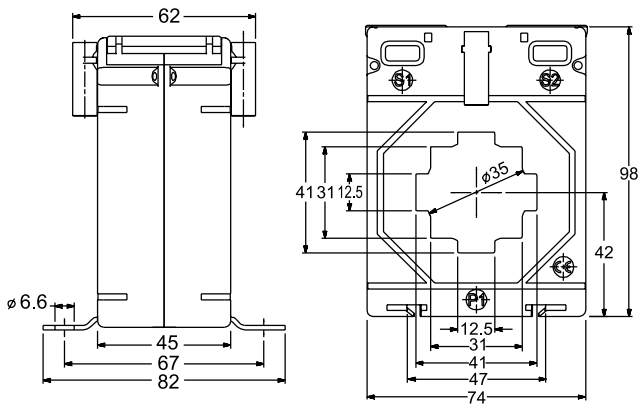
Code	Rated primary current	Transformer burden						Code
0030A	30 A	-	-	-	-	-	1 VA	3
0040A	40 A	-	-	-	-	1.5 VA	1.5 VA	1
0050A	50 A	-	-	-	-	1.5 VA	2.5 VA	
0060A	60 A	-	-	-	-	2.5 VA	3.75 VA	5
0075A	75 A	-	-	-	1.5 VA	2.5 VA	3.75 VA	
0080A	80 A	-	-	-	1.5 VA	3.75 VA	5 VA	
0100A	100 A	1.5 VA	1.5 VA	1.5 VA	2.5 VA	5 VA	7.5 VA	
0120A	120 A	1.5 VA	1.5 VA	1.5 VA	2.5 VA	5 VA	7.5 VA	
0125A	125 A	1.5 VA	1.5 VA	1.5 VA	2.5 VA	5 VA	7.5 VA	
0150A	150 A	1.5 VA	1.5 VA	1.5 VA	5 VA	7.5 VA	10 VA	
0200A	200 A	2.5 VA	2.5 VA	2.5 VA	10 VA	15 VA	15 VA	
0250A	250 A	2.5 VA	2.5 VA	2.5 VA	10 VA	15 VA	15 VA	
0300A	300 A	2.5 VA	5 VA	2.5 VA	10 VA	15 VA	15 VA	
0400A	400 A	5 VA	7.5 VA	5 VA	15 VA	20 VA	25 VA	
0500A	500 A	5 VA	10 VA	5 VA	15 VA	20 VA	25 VA	
0600A	600 A	5 VA	15 VA	5 VA	15 VA	20 VA	25 VA	
0750A	750 A	7.5 VA	20 VA	7.5 VA	20 VA	30 VA	30 VA	
0800A	800 A	10 VA	30 VA	10 VA	30 VA	30 VA	35 VA	

Ordering example: Order code LCTB 7420450100A55 means the transformer LCTB 74/20(45) 100/5A meeting the requirements of the class: kl. 0.5 - 5 VA; kl. 1 - 7.5 VA; kl. 3 - 10 VA

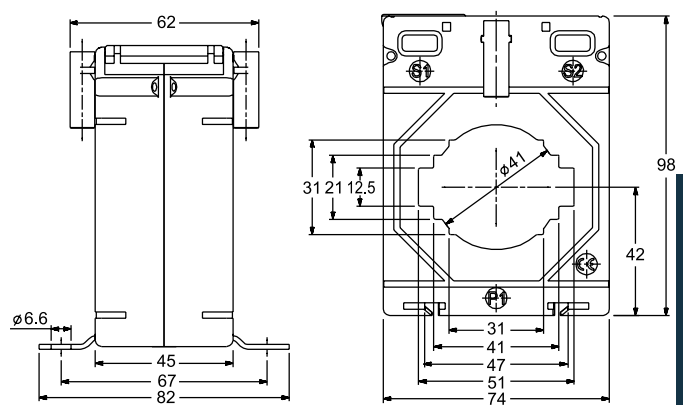
# LCTB 74 - BUSBAR SERIES

## DIMENSIONS

### LCTB 74/40 (45)



### LCTB 74/50 (45)



**3** YEAR WARRANTY

## ORDERING CODES

LCTB 744045

LCTB 745045

Secondary current	Code
x/5A	5
x/1A	1

Secondary current	Code
x/5A	5
x/1A	1

Transformer type	LCTB 74/40 (45)						
	Accuracy class	0.2S	0.2	0.5S	0.5	1	3
Code	S	2	R	-	-	-	-

Transformer type	LCTB 74/50 (45)						
	Accuracy class	0.2S	0.2	0.5S	0.5	1	3
Code	S	2	R	-	-	-	-

Code	Rated primary current	Transformer burden						Code	
		0.2S	0.2	0.5S	0.5	1	3		
0040A	40 A	-	-	-	-	1 VA	1 VA	1	
0050A	50 A	-	-	-	-	1 VA	1.5 VA		
0060A	60 A	-	-	-	-	1 VA	1.5 VA		
0075A	75 A	-	-	-	-	1.5 VA	2.5 VA		
0080A	80 A	-	-	-	-	1.5 VA	2.5 VA		
0100A	100 A	1 VA	-	1 VA	1.5 VA	2.5 VA	3.75 VA		
0120A	120 A	1 VA	-	1 VA	1.5 VA	2.5 VA	3.75 VA	5	
0125A	125 A	1 VA	-	1 VA	1.5 VA	2.5 VA	3.75 VA		
0150A	150 A	1.5 VA	-	1.5 VA	2.5 VA	3.75 VA	5 VA		
0200A	200 A	2.5 VA	2.5 VA	2.5 VA	3.75 VA	5 VA	7.5 VA		
0250A	250 A	5 VA	2.5 VA	5 VA	5 VA	7.5 VA	10 VA		
0300A	300 A	5 VA	2.5 VA	5 VA	5 VA	7.5 VA	10 VA		
0400A	400 A	5 VA	5 VA	5 VA	5 VA*	7.5 VA	12.5 VA	15 VA	5
0500A	500 A	5 VA	7.5 VA	5 VA	10 VA	15 VA	15 VA		
0600A	600 A	5 VA	10 VA	5 VA	15 VA	20 VA	20 VA		
0750A	750 A	5 VA	10 VA	5 VA	15 VA	20 VA	20 VA		
0800A	800 A	7.5 VA	15 VA	7.5 VA	15 VA	20 VA	25 VA		
1000A	1000 A	10 VA	15 VA	10 VA	15 VA	20 VA	25 VA		

Code	Rated primary current	Transformer burden						Code	
		0.2S	0.2	0.5S	0.5	1	3		
0100A	100 A	-	-	-	-	1.5 VA	2 VA	1	
0120A	120 A	-	-	-	-	1.5 VA	2.5 VA		
0125A	125 A	-	-	-	-	1.5 VA	2.5 VA		
0150A	150 A	-	-	-	-	2.5 VA	3.75 VA		
0200A	200 A	-	-	-	1.5 VA	3.75 VA	5 VA		
0250A	250 A	1.5 VA	1.5 VA	1.5 VA	2.5 VA	5 VA	7.5 VA		
0300A	300 A	1.5 VA	1.5 VA	1.5 VA	5 VA	7.5 VA	7.5 VA	5	
0400A	400 A	2.5 VA	2.5 VA	2.5 VA	5 VA	7.5 VA	10 VA		
0500A	500 A	5 VA	5 VA	5 VA	7.5 VA	10 VA	12.5 VA		
0600A	600 A	5 VA	5 VA*	7.5 VA	5 VA	10 VA	12.5 VA		15 VA
0750A	750 A	5 VA	10 VA	5 VA	12.5 VA	15 VA	20 VA		
0800A	800 A	5 VA	10 VA	5 VA	12.5 VA	15 VA	20 VA		
1000A	1000 A	5 VA	10 VA	5 VA	12.5 VA	15 VA	20 VA		

\*The custom value of the nominal power, which should be given when ordering the transformer.

\*The custom value of the nominal power, which should be given when ordering the transformer.

**Ordering example:** Order code LCTB 7450450300A55 means the transformer LCTB 74/50(45) 300/5A meeting the requirements of the class: kl. 0.5 - 5 VA; kl. 1 - 7.5 VA; kl. 3 - 7.5 VA

### ACCESSORIES:

DIN rail mounting base

Order code: LH000-0904-130-124

shop.lumel.com.pl



# LCTB 86 - BUSBAR SERIES



INPUT:

**50 A**  
...  
**1600 A**

OUTPUTS:

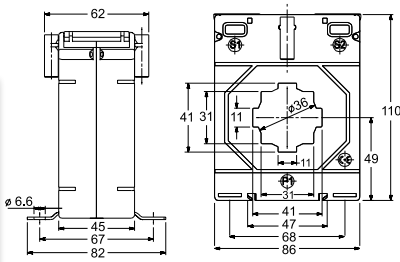
**5 A** **1 A**



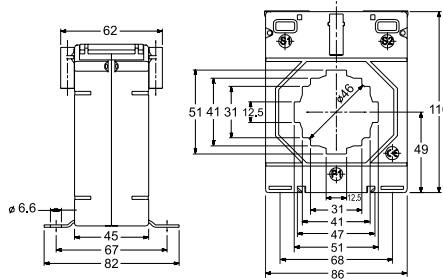
	LCTB 86/40 (45)	LCTB 86/50 (45)	LCTB 86/60 (45)
Hole diameter	∅ 36 mm	∅ 46 mm	∅ 51 mm
Busbar	40 x 10 mm, 2x30x15mm	50 x 12 mm, 2 x 40 x 15 mm	60 x 12 mm, 2 x 50 x 15 mm
Depth	45 mm	45 mm	45 mm
Width	86 mm	86 mm	86 mm
Primary current	50 A...1000 A	100 A...1250 A	100 A...1600 A
Secondary current	1 A, 5 A		
Accuracy class	0.25; 0.2; 0.55; 0.5; 1; 3		

## DIMENSIONS

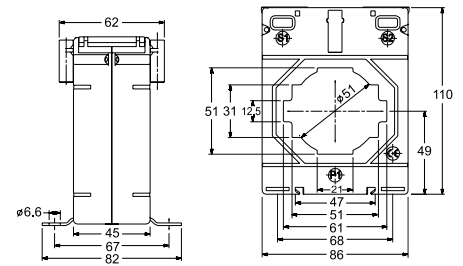
LCTB 86/40 (45)



LCTB 86/50 (45)



LCTB 86/60 (45)



## ORDERING CODES

LCTB 864045

Secondary current	Code
x/5A	5
x/1A	1

Transformer type	LCTB 86/40 (45)						
	Accuracy class	0.25	0.2	0.55	0.5	1	3
Code	S	2	R	-	-	-	-

Code	Primary current	Transformer burden						Code
		1.5 VA	1.5 VA	1.5 VA	1.5 VA	3.75 VA	5 VA	
0050A	50 A	-	-	-	-	1.5 VA	1.5 VA	1
0060A	60 A	-	-	-	-	1.5 VA	2 VA	
0075A	75 A	-	-	-	-	2.5 VA	3.75 VA	
0080A	80 A	-	-	-	-	2.5 VA	3.75 VA	
0100A	100 A	1.5 VA	1.5 VA	1.5 VA	1.5 VA	3.75 VA	5 VA	5
0120A	120 A	1.5 VA	1.5 VA	1.5 VA	2.5 VA	5 VA	7.5 VA	
0125A	125 A	1.5 VA	1.5 VA	1.5 VA	2.5 VA	5 VA	7.5 VA	
0150A	150 A	2.5 VA	2.5 VA	2.5 VA	3.75 VA	5 VA	7.5 VA	
0200A	200 A	5 VA	2.5 VA	5 VA	5 VA	7.5 VA	10 VA	
0250A	250 A	10 VA	3.75 VA	10 VA	7.5 VA	12.5 VA	15 VA	
0300A	300 A	10 VA	5 VA	10 VA	10 VA	15 VA	20 VA	
0400A	400 A	10 VA	7.5 VA	10 VA	15 VA	20 VA	25 VA	
0500A	500 A	5 VA	10 VA	5 VA	20 VA	30 VA	35 VA	
0600A	600 A	7.5 VA	15 VA	7.5 VA	30 VA	30 VA	35 VA	
0750A	750 A	7.5 VA	15 VA	7.5 VA	30 VA	30 VA	35 VA	
0800A	800 A	10 VA	15 VA	15 VA	30 VA	30 VA	35 VA	
1000A	1000 A	10 VA	15 VA	15 VA	30 VA	30 VA	35 VA	

**Ordering example:** Order code LCTB 8640450100A55 means the transformer LCTB 86/40(45) 100/5A meeting the requirements of the class:

- kl. 0.5 1.5 VA
- kl. 1 3.75 VA
- kl. 3 5 VA

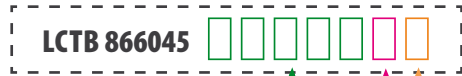
3 YEAR WARRANTY

shop.lumel.com.pl

ePLAN



## ORDERING CODES



Secondary current	Code
x/5A	5
x/1A	1

Secondary current	Code
x/5A	5
x/1A	1

Transformer type	LCTB 86/50 (45)					
Accuracy class	0.2S	0.2	0.5S	0.5	1	3
Code	S	2	R	-	-	-

Transformer type	LCTB 86/60 (45)					
Accuracy class	0.2S	0.2	0.5S	0.5	1	3
Code	S	2	R	-	-	-

Code	Primary current	Transformer burden						Code
0100A	100 A	-	-	-	1 VA	1.5 VA	2.5 VA	5
0120A	120 A	-	-	-	1.5 VA	2.5 VA	3.75 VA	
0125A	125 A	-	-	-	1.5 VA	2.5 VA	3.75 VA	
0150A	150 A	-	-	-	2.5 VA	5 VA	7.5 VA	
0200A	200 A	-	-	-	5 VA	7.5 VA	10 VA	
0250A	250 A	-	-	-	7.5 VA	10 VA	12.5 VA	
0300A	300 A	5 VA	1.5 VA	5 VA	7.5 VA	10 VA	15 VA	
0400A	400 A	7.5 VA	2.5 VA	7.5 VA	15 VA	15 VA	20 VA	
0500A	500 A	7.5 VA	5 VA	7.5 VA	15 VA	20 VA	20 VA	
0600A	600 A	10 VA	7.5 VA	10 VA	15 VA	20 VA	20 VA	
0750A	750 A	7.5 VA	10 VA	7.5 VA	15 VA	20 VA	25 VA	
0800A	800 A	10 VA	12.5 VA	10 VA	20 VA	30 VA	30 VA	
1000A	1000 A	12.5 VA	20 VA	12.5 VA	30 VA	30 VA	35 VA	
1200A	1200 A	12.5 VA	20 VA	12.5 VA	30 VA	30 VA	35 VA	
1250A	1250 A	12.5 VA	20 VA	12.5 VA	30 VA	30 VA	35 VA	

Code	Primary current	Transformer burden						Code
0100A	100 A	-	-	-	-	1 VA	1.5 VA	1
0120A	120 A	-	-	-	-	1.5 VA	2.5 VA	
0125A	125 A	-	-	-	-	2.5 VA	3.75 VA	
0150A	150 A	-	-	-	-	2.5 VA	3.75 VA	5
0200A	200 A	-	-	-	1.5 VA	3.75 VA	5 VA	
0250A	250 A	-	-	-	2.5 VA	5 VA	7.5 VA	
0300A	300 A	1.5 VA	1.5 VA	1.5 VA	5 VA	7.5 VA	10 VA	
0400A	400 A	2.5 VA	2.5 VA	3.75 VA	10 VA	12.5 VA	15 VA	
0500A	500 A	2.5 VA	3.75 VA	2.5 VA	10 VA	12.5 VA	15 VA	
0600A	600 A	5 VA	5 VA	5 VA	15 VA	15 VA	20 VA	
0750A	750 A	5 VA	10 VA	5 VA	15 VA	20 VA	25 VA	
0800A	800 A	7.5 VA	12.5 VA	7.5 VA	20 VA	20 VA	25 VA	
1000A	1000 A	10 VA	15 VA	10 VA	20 VA	20 VA	25 VA	
1200A	1200 A	10 VA	15 VA	10 VA	20 VA	20 VA	25 VA	
1250A	1250 A	10 VA	15 VA	10 VA	20 VA	20 VA	25 VA	
1500A	1500 A	10 VA	15 VA	10 VA	20 VA	20 VA	25 VA	
1600A	1600 A	10 VA	15 VA	10 VA	20 VA	20 VA	25 VA	

**Ordering example:** Order code LCTB 8650450300A55 means the transformer LCTB 86/50(45) 300/5A meeting the requirements of the class:

- kl. 0.5 7.5 VA
- kl. 1 10 VA
- kl. 3 15 VA

**ACCESSORIES:**  
DIN rail mounting base  
Order code: LH000-0904-130-124

3 YEAR WARRANTY

shop.lumel.com.pl



**EPLAN**

# LCTB 100 - BUSBAR SERIES



INPUT:

400 A  
...  
3000 A

OUTPUTS:

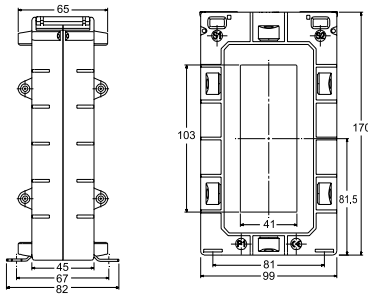
5 A 1 A



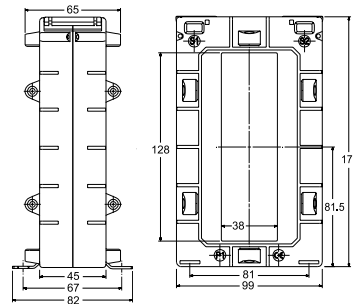
	LCTB 100/100V (45)	LCTB 100/130V (45)
Busbar	41 x 103 mm	38 x 128 mm
Depth	45 mm	45 mm
Width	100 mm	100 mm
Primary current	400 A...2500 A	400 A...3000 A
Secondary current	1 A, 5 A	
Accuracy class	0.2S; 0.2; 0.5S; 0.5; 1	0.2; 0.5; 1

## DIMENSIONS

LCTB 100/100V (45)



LCTB 100/130V (45)



## ORDERING CODES

LCTB 100100 [ ] [ ] [ ] [ ] [ ] [ ] [ ] [ ]

LCTB 100130 [ ] [ ] [ ] [ ] [ ] [ ] [ ] [ ]

Secondary current	Code
x/5A	5
x/1A	1

Secondary current	Code
x/5A	5
x/1A	1

Transformer type	LCTB 100/100V (45)					
Accuracy class	0.2S	0.2	0.5S	0.5	1	3
Code	S	2	R	-	-	-

Transformer type	LCTB 100/130V (45)			
Accuracy class	0.2	0.5	1	3
Code	2	-	-	-

Code	Rated primary current	Transformer burden						Code
0400A	400 A	-	-	-	2.5 VA	5 VA	5 VA	5
0500A	500 A	-	-	-	2.5 VA	5 VA	6.25 VA	
0600A	600 A	-	-	-	2.5 VA	5 VA	7.5 VA	
0750A	750 A	-	-	-	2.5 VA	5 VA	7.5 VA	
0800A	800 A	-	-	-	5 VA	10 VA	10 VA	
1000A	1000 A	-	5 VA	-	10 VA	15 VA	15 VA	
1200A	1200 A	5 VA	5 VA	5 VA	10 VA	15 VA	15 VA	
1250A	1250 A	5 VA	5 VA	5 VA	10 VA	15 VA	20 VA	
1500A	1500 A	5 VA	5 VA	5 VA	15 VA	30 VA	30 VA	
1600A	1600 A	7.5 VA	10 VA	7.5 VA	15 VA	30 VA	30 VA	
2000A	2000 A	7.5 VA	10 VA	7.5 VA	15 VA	30 VA	35 VA	
2500A	2500 A	10 VA	10 VA	10 VA	15 VA	20 VA	35 VA	

Code	Rated primary current	Transformer burden				Code
0400A	400 A	-	2.5 VA	5 VA	5 VA	5
0500A	500 A	-	2.5 VA	5 VA	6.25 VA	
0600A	600 A	-	2.5 VA	5 VA	7.5 VA	
0750A	750 A	-	2.5 VA	7.5 VA	7.5 VA	
0800A	800 A	-	5 VA	7.5 VA	10 VA	
1000A	1000 A	-	10 VA	10 VA	15 VA	
1200A	1200 A	-	10 VA	15 VA	15 VA	
1250A	1250 A	-	10 VA	15 VA	20 VA	
1500A	1500 A	5 VA	15 VA	30 VA	30 VA	
1600A	1600 A	5 VA	15 VA	30 VA	30 VA	
2000A	2000 A	5 VA	15 VA	30 VA	30 VA	
2500A	2500 A	5 VA	15 VA	30 VA	35 VA	
3000A	3000 A	5 VA	10 VA	12.5 VA	35 VA	

Ordering example: Order code LCTB 1001001500A5S means the transformer LCTB 100/100V(45) 1500/5A meeting the requirements of the class: kl. 0.5 - 15 VA; kl. 1 - 30 VA; kl. 3 - 30 VA

# LCTB 104 - BUSBAR SERIES

	LCTB 104/60 (45)	LCTB 104/80 (45)
Hole diameter	Ø 54 mm	Ø 65 mm
Busbar	60 x 12 mm, 2 x 50 x 15 mm, 2 x 40 x 20 mm	80 x 12 mm, 2 x 60 x 15 mm, 2 x 50 x 25 mm
Depth	45 mm	45 mm
Width	104 mm	104 mm
Primary current	100 A...1600 A	200 A...2000 A
Secondary current	1 A, 5 A	
Accuracy class	0,25; 0,2; 0,55; 0,5; 1	

INPUT:

100 A  
...  
2000 A

OUTPUTS:

5 A 1 A



3 YEAR WARRANTY

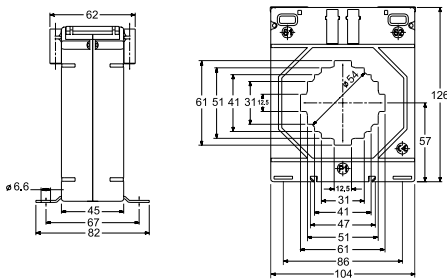
shop.lumel.com.pl



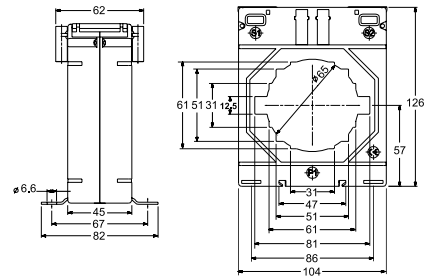
EPLAN

## DIMENSIONS

LCTB 104/60 (45)



LCTB 104/80 (45)



## ORDERING CODES



Secondary current	Code
x/5A	5
x/1A	1

Transformer type	LCTB 104/60 (45)					
Accuracy class	0.25	0.2	0.55	0.5	1	3
Code	S	2	R	-	-	-



Secondary current	Code
x/5A	5
x/1A	1

Transformer type	LCTB 104/80 (45)					
Accuracy class	0.25	0.2	0.55	0.5	1	3
Code	S	2	R	-	-	-

Code	Rated primary current	Transformer burden						Code
0100A	100 A	-	-	-	-	1.5 VA	2.5 VA	1
0120A	120 A	-	-	-	-	2.5 VA	3.75 VA	
0125A	125 A	-	-	-	-	2.5 VA	3.75 VA	
0150A	150 A	-	-	-	-	2.5 VA	5 VA	
0200A	200 A	-	-	-	-	5 VA	10 VA	5
0250A	250 A	-	1.5 VA	-	-	7.5 VA	12.5 VA	
0300A	300 A	1.5 VA	2.5 VA	1.5 VA	-	10 VA	15 VA	
0400A	400 A	2.5 VA	3.75 VA	2.5 VA	5 VA	10 VA*	15 VA	
0500A	500 A	3.75 VA	7.5 VA	3.75 VA	15 VA	20 VA	20 VA	
0600A	600 A	5 VA	10 VA	5 VA	15 VA	30 VA	25 VA	
0750A	750 A	5 VA	15 VA	5 VA	20 VA	30 VA	30 VA	
0800A	800 A	7.5 VA	15 VA	7.5 VA	30 VA	30 VA	35 VA	
1000A	1000 A	10 VA	20 VA	10 VA	30 VA	45 VA	35 VA	
1200A	1200 A	10 VA	30 VA	10 VA	30 VA	45 VA	45 VA	
1250A	1250 A	10 VA	30 VA	10 VA	30 VA	45 VA	50 VA	
1500A	1500 A	10 VA	30 VA	10 VA	30 VA	45 VA	50 VA	
1600A	1600 A	10 VA	30 VA	10 VA	30 VA	45 VA	50 VA	

Code	Rated primary current	Transformer burden						Code
0200A	200 A	-	-	-	-	1.5 VA	2.5 VA	1
0250A	250 A	-	-	-	-	1.5 VA	2.5 VA	
0300A	300 A	-	-	-	-	2.5 VA	7.5 VA	
0400A	400 A	-	1.5 VA	-	-	5 VA	10 VA	
0500A	500 A	-	1.5 VA	-	-	5 VA	10 VA	5
0600A	600 A	-	2.5 VA	7.5 VA	7.5 VA	12.5 VA	12.5 VA	
0750A	750 A	5 VA	5 VA	7.5 VA	10 VA	15 VA	15 VA	
0800A	800 A	5 VA	7.5 VA	10 VA	10 VA	15 VA	15 VA	
1000A	1000 A	7.5 VA	12.5 VA	15 VA	20 VA	20 VA	20 VA	
1200A	1200 A	10 VA	15 VA	15 VA	20 VA	30 VA	30 VA	
1250A	1250 A	10 VA	15 VA	15 VA	20 VA	30 VA	30 VA	
1500A	1500 A	10 VA	15 VA	15 VA	20 VA	30 VA	30 VA	
1600A	1600 A	10 VA	15 VA	15 VA	20 VA	30 VA	30 VA	
2000A	2000 A	10 VA	15 VA	15 VA	20 VA	30 VA	35 VA	

\*The custom value of the nominal power, which should be given when ordering the transformer.

Ordering example: Order code LCTB 1046041500A55 means the transformer LCTB 104/60(45) 1500/5A meeting the requirements of the class: kl. 0.5 - 30 VA; kl. 1 - 45 VA; kl. 3 - 50 VA

## ACCESSORIES:

DIN rail mounting base

Order code: LH000-0904-130-124

# LCTB 140 - BUSBAR SERIES



INPUT:

200 A  
...  
5000 A

OUTPUTS:

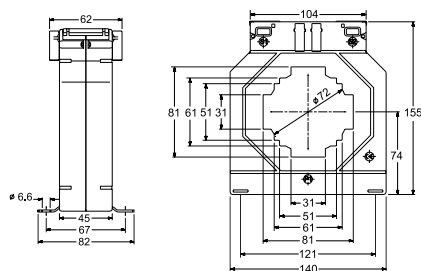
5 A 1 A



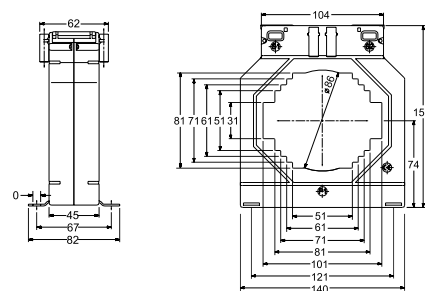
	LCTB 140/80 (45)	LCTB 140/100H (45)	LCTB 140/100V (45)	LCTB 140/130V (45)
Hole diameter	Ø 72 mm	Ø 86 mm	Ø 86 mm	-
Busbar	80 x 30 mm, 2 x 60 x 25 mm	100 x 30 mm, 2 x 80 x 25 mm, 2 x 70 x 30 mm	100 x 30 mm, 2 x 80 x 25 mm, 2 x 70 x 30 mm	70 x 130 mm
Depth	45 mm	45 mm	45 mm	45 mm
Width	140 mm	140 mm	140 mm	140 mm
Primary current	200 A...2000 A	200 A...4000 A	200 A...3000 A	400 A...5000 A
Secondary current	1 A, 5 A			
Accuracy class	0.2S; 0.2; 0.5S; 0.5; 1			0.2; 0.5; 1

## DIMENSIONS

LCTB 140/80 (45)



LCTB 140/100H (45)



## ORDERING CODES

LCTB 140804

LCTB 14010H

Secondary current	Code
x/5A	5
x/1A	1

Secondary current	Code
x/5A	5
x/1A	1

Transformer type	LCTB 140/80 (45)					
Accuracy class	0.2S	0.2	0.5S	0.5	1	3
Code	S	2	R	-	-	-

Transformer type	LCTB 140/100H (45)					
Accuracy class	0.2S	0.2	0.5S	0.5	1	3
Code	S	2	R	-	-	-

Code	Rated primary current	Transformer burden						Code
0200A	200 A	-	-	-	2.5 VA	5 VA	7.5 VA	5
0250A	250 A	-	-	-	5 VA	10 VA	12.5 VA	
0300A	300 A	-	1.5 VA	-	7.5 VA	15 VA	15 VA	
0400A	400 A	-	2.5 VA	-	10 VA	20 VA	25 VA	
0500A	500 A	2.5 VA	5 VA	2.5 VA	15 VA	30 VA	30 VA	
0600A	600 A	3.75 VA	7.5 VA	3.75 VA	15 VA	30 VA	35 VA	
0750A	750 A	5 VA	10 VA	5 VA	15 VA	45 VA	45 VA	
0800A	800 A	5 VA	10 VA	5 VA	15 VA	45 VA	50 VA	
1000A	1000 A	10 VA	15 VA	10 VA	30 VA	60 VA	60 VA	
1200A	1200 A	12.5 VA	15 VA	12.5 VA	30 VA	60 VA	60 VA	
1250A	1250 A	12.5 VA	30 VA	12.5 VA	60 VA	60 VA	60 VA	
1500A	1500 A	15 VA	30 VA	15 VA	60 VA	60 VA	60 VA	
1600A	1600 A	15 VA	30 VA	15 VA	60 VA	60 VA	60 VA	
2000A	2000 A	15 VA	30 VA	15 VA	60 VA	60 VA	60 VA	

Code	Rated primary current	Transformer burden						Code
0200A	200 A	-	-	-	1.5 VA	3.75 VA	5 VA	5
0250A	250 A	-	-	-	2.5 VA	5 VA	7.5 VA	
0300A	300 A	-	-	-	3.75 VA	7.5 VA	10 VA	
0400A	400 A	-	1.5 VA	-	7.5 VA	10 VA	12.5 VA	
0500A	500 A	-	2.5 VA	-	10 VA	12.5 VA	12.5 VA	
0600A	600 A	2.5 VA	3.75 VA	2.5 VA	10 VA	15 VA	15 VA	
0750A	750 A	5 VA	5 VA	5 VA	15 VA	20 VA	20 VA	
0800A	800 A	5 VA	5 VA	5 VA	15 VA	20 VA	25 VA	
1000A	1000 A	5 VA	10 VA	5 VA	15 VA	20 VA	25 VA	
1200A	1200 A	10 VA	15 VA	10 VA	15 VA	30 VA	30 VA	
1250A	1250 A	10 VA	15 VA	10 VA	15 VA	30 VA	35 VA	
1500A	1500 A	15 VA	20 VA	15 VA	20 VA	30 VA	40 VA	
1600A	1600 A	15 VA	20 VA	15 VA	20 VA	45 VA	45 VA	
2000A	2000 A	15 VA	30 VA	15 VA	45 VA	45 VA	45 VA	
2500A	2500 A	15 VA	30 VA	15 VA	45 VA	45 VA	45 VA	
3000A	3000 A	15 VA	30 VA	15 VA	60 VA	60 VA	60 VA	
4000A	4000 A	15 VA	30 VA	15 VA	60 VA	60 VA	60 VA	

Ordering example: Order code LCTB 1408041500A55 means the transformer LCTB 140/80(45) 1500/5A meeting the requirements of the class: kl. 0.5 - 60 VA; kl. 1 - 60 VA; kl. 3 - 60 VA

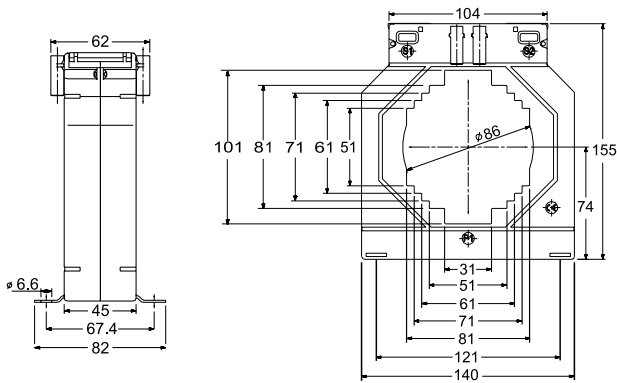
3 YEAR WARRANTY

shop.lumel.com.pl

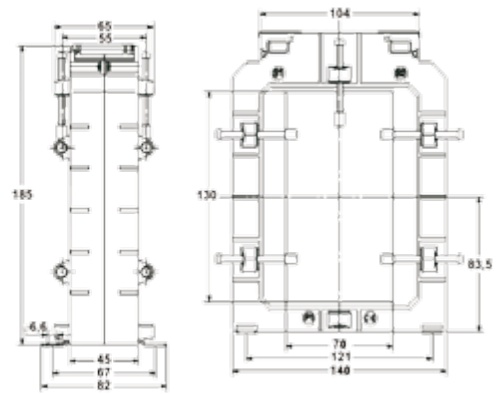
ePLAN

## DIMENSIONS

### LCTB 140/100V (45)



### LCTB 140/130V (45)



## ORDERING CODES

LCTB 14010V

Secondary current	Code
x/5A	5
x/1A	1

Transformer type	LCTB 140/100V (45)						
	Accuracy class	0.2S	0.2	0.5S	0.5	1	3
Code	S	2	R	-	-	-	-

Code	Rated primary current	Transformer burden						Code
0200A	200 A	-	-	-	1.5 VA	3.75 VA	5 VA	5
0250A	250 A	-	-	-	2.5 VA	5 VA	5 VA	
0300A	300 A	-	-	-	3.75 VA	7.5 VA	10 VA	
0400A	400 A	-	1.5 VA	-	10 VA	10 VA	12.5 VA	
0500A	500 A	-	2.5 VA	-	10 VA	12.5 VA	12.5 VA	
0600A	600 A	2.5VA	3.75 VA	2.5 VA	12.5 VA	15 VA	15 VA	
0750A	750 A	5 VA	5 VA	5 VA	15 VA	20 VA	20 VA	
0800A	800 A	5 VA	5 VA	5 VA	15 VA	20 VA	20 VA	
1000A	1000 A	5 VA	10 VA	5 VA	15 VA	20 VA	20 VA	
1200A	1200 A	10 VA	15 VA	10 VA	15 VA	30 VA	30 VA	
1250A	1250 A	10 VA	15 VA	10 VA	15 VA	30 VA	30 VA	
1500A	1500 A	15VA	20 VA	15 VA	30 VA	30 VA	35 VA	
1600A	1600 A	15VA	20 VA	15 VA	45 VA	45 VA	45 VA	
2000A	2000 A	15VA	30 VA	15 VA	45 VA	45 VA	45 VA	
2500A	2500 A	15VA	30 VA	15 VA	45 VA	45VA	45 VA	
3000A	3000 A	15VA	30 VA	15 VA	60 VA	60 VA	60 VA	

LCTB 140130

Secondary current	Code
x/5A	5
x/1A	1

Transformer type	LCTB 140/130V (45)				
	Accuracy class	0.2	0.5	1	3
Code	2	-	-	-	-

Code	Rated primary current	Transformer burden				Code
0400A	400 A	-	3.75 VA	5 VA	6.25 VA	5
0500A	500 A	-	3.75 VA	5VA	7.5 VA	
0600A	600 A	-	3.75 VA	5 VA	7.5 VA	
0750A	750 A	-	5 VA	7.5 VA	10 VA	
0800A	800 A	-	5 VA	7.5 VA	10 VA	
1000A	1000 A	5 VA	10 VA	10 VA	15 VA	
1200A	1200 A	7.5 VA	10 VA	15 VA	20 VA	
1250A	1250 A	7.5 VA	10 VA	15 VA	20 VA	
1500A	1500 A	10VA	15 VA	15 VA	20 VA	
1600A	1600 A	10 VA	15 VA	15 VA	20 VA	
2000A	2000 A	15 VA	20 VA	20 VA	20 VA	
2500A	2500 A	15 VA	20 VA	20 VA	25 VA	
3000A	3000 A	15 VA	20 VA	20 VA	25 VA	
4000A	4000 A	15 VA	20 VA	20 VA	35 VA	
5000A	5000 A	15 VA	20 VA	20 VA	35 VA	

Ordering example: Order code LCTB 14010V1000A55 means the transformer LCTB 140/100V(45) 1000/5A meeting the requirements of the class:

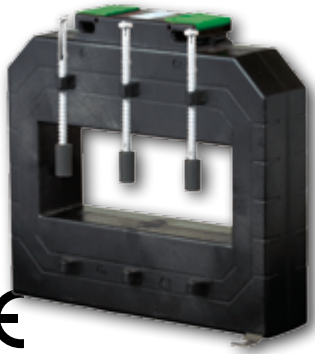
- kl. 0.5 15 VA
- kl. 1 20 VA
- kl. 3 20 VA

3 YEAR WARRANTY

shop.lumel.com.pl

EPLAN

# LCTB 225 - BUSBAR SERIES



INPUT:

**600 A**  
...  
**7500 A**

OUTPUTS:

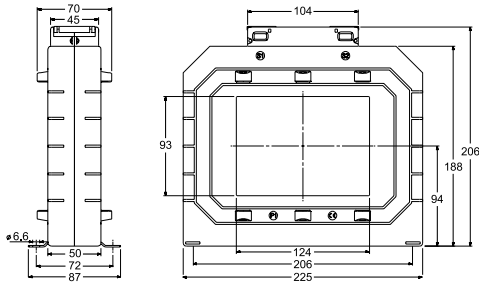
**5 A** **1 A**



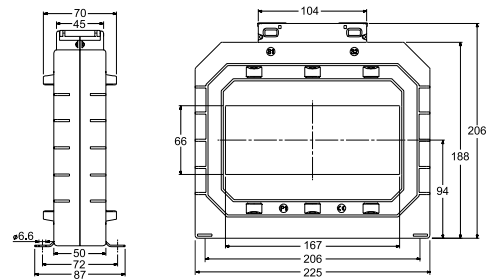
	LCTB 225/125 (50)	LCTB 225/167 (50)
Busbar	124 x 93 mm	166 x 65 mm
Depth	50 mm	50 mm
Width	225 mm	225 mm
Primary current	600 A...6000 A	1000 A...7500 A
Secondary current	1 A, 5 A	
Accuracy class	0.2S; 0.2; 0.5S; 0.5; 1; 3	

## DIMENSIONS

LCTB 225/125 (50)



LCTB 225/167 (50)



## ORDERING CODES



Secondary current	Code
x/5A	5
x/1A	1

Secondary current	Code
x/5A	5
x/1A	1

Transformer type	LCTB 225/125 (50)					
Accuracy class	0.2S	0.2	0.5S	0.5	1	3
Code	S	2	R	-	-	-

Transformer type	LCTB 225/167 (50)					
Accuracy class	0.2S	0.2	0.5S	0.5	1	3
Code	S	2	R	-	-	-

Code	Rated primary current	Transformer burden						Code
		5 VA	10 VA	5 VA	10 VA	15 VA	15 VA	
0600A	600 A	-	5 VA	-	5 VA	10 VA	12.5 VA	5
0750A	750 A	-	5 VA	-	10 VA	10 VA	12.5 VA	
0800A	800 A	-	5 VA	-	10 VA	10 VA	15 VA	
1000A	1000 A	5 VA	10 VA	5 VA	10 VA	15 VA	15 VA	
1200A	1200 A	5 VA	10 VA	5 VA	10 VA	15 VA	20 VA	
1250A	1250 A	5 VA	10 VA	5 VA	10 VA	15 VA	20 VA	
1500A	1500 A	7.5 VA	10 VA	7.5 VA	15 VA	30 VA	30 VA	
1600A	1600 A	7.5 VA	10 VA	7.5 VA	15 VA	30 VA	35 VA	
2000A	2000 A	10 VA	10 VA	10 VA	15 VA	30 VA	35 VA	
2500A	2500 A	10 VA	15 VA	10 VA	30 VA	30 VA	45 VA	
3000A	3000 A	10 VA	15 VA	10 VA	30 VA	60 VA	60 VA	
4000A	4000 A	15 VA	30 VA	15 VA	45 VA	60 VA	60 VA	
5000A	5000 A	15 VA	30 VA	15 VA	100 VA	100 VA	100 VA	
6000A	6000 A	15 VA	60 VA	15 VA	100 VA	100 VA	100 VA	

Code	Rated primary current	Transformer burden						Code
		5 VA	10 VA	5 VA	15 VA	30 VA	30 VA	
1000A	1000 A	-	3.75 VA	-	5 VA	10 VA	15 VA	5
1200A	1200 A	-	5 VA	-	10 VA	15 VA	20 VA	
1250A	1250 A	-	5 VA	-	10 VA	15 VA	20 VA	
1500A	1500 A	5 VA	10 VA	5 VA	15 VA	30 VA	30 VA	
1600A	1600 A	5 VA	10 VA	5 VA	15 VA	30 VA	35 VA	
2000A	2000 A	7.5 VA	10 VA	7.5 VA	30 VA	30 VA	35 VA	
2500A	2500 A	10 VA	15 VA	10 VA	30 VA	45 VA	45 VA	
3000A	3000 A	10 VA	15 VA	10 VA	30 VA	45 VA	50 VA	
4000A	4000 A	10 VA	15 VA	10 VA	30 VA	45 VA	50 VA	
5000A	5000 A	15 VA	20 VA	15 VA	30 VA	45 VA	50 VA	
6000A	6000 A	15 VA	20 VA	15 VA	30 VA	45 VA	50 VA	
7500A	7500 A	15 VA	20 VA	15 VA	30 VA	45 VA	50 VA	

Ordering example: Order code LCTB 2251251500A55 means the transformer LCTB 225/125(50) 1500/5A meeting the requirements of the class: kl. 0.5 - 15 VA; kl. 1 - 30 VA; kl. 3 - 30 VA

3 YEAR WARRANTY

shop.lumel.com.pl

ePLAN

# LCTS - SPLIT CORE SERIES

	LCTS 93/30SC (40)	LCTS 125/50SC (40)	LCTS 155/80SC (40)	LCTS 195/80SC (64)
Window dimensions	23 x 33 mm	85 x 54 mm	85 x 125 mm	82 x 162 mm
Depth	40 mm	40 mm	40 mm	64 mm
Width	93 mm	125 mm	155 mm	195 mm
Rated primary current	100 A...400 A	250 A...1000 A	250 A...3000 A	500 A...5000 A
Secondary current	1 A, 5 A			
Accuracy class	0.5; 1			

INPUT:

100 A  
...  
5000 A



OUTPUTS:

5 A 1 A



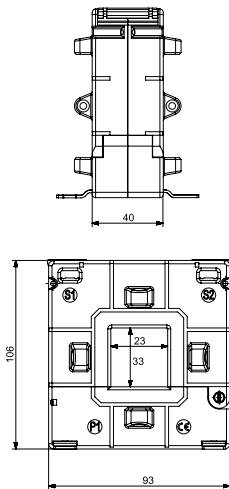
3 YEAR WARRANTY

shop.lumel.com.pl

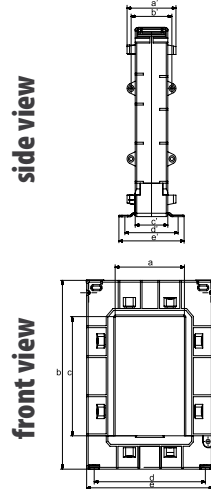


## DIMENSIONS

### LCTS 93/30SC (40)



### LCTS 125/50SC, 155/80SC, 195/80SC

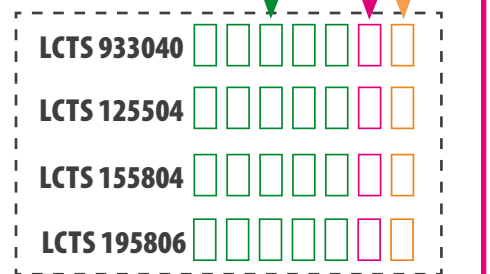


Side view (dimensions in mm)					
Type	a'	b'	c'	d'	e'
125/50SC (40)	60	50	40	65	80
155/80SC (40)	60	50	40	65	80
195/80SC (64)	84	74	64	80	100

Front view (dimensions in mm)					
Type	a	b	c	d	e
125/50SC (40)	54	158	85	106	125
155/80SC (40)	85	198	125	136	155
195/80SC (64)	80	245	160	179	195

## ORDERING CODES

Code	Primary current	Transformer burden							
		LCTS 93/30SC (40)		LCTS 125/50SC (40)		LCTS 155/80SC (40)		LCTS 195/80SC (64)	
0100A	100 A	-	1.5 VA	-	-	-	-	-	-
0150A	150 A	-	1.75 VA	-	-	-	-	-	-
0200A	200 A	-	2.5 VA	-	-	-	-	-	-
0250A	250 A	-	3.75 VA	1 VA	2.5 VA	1 VA	2.5 VA	-	-
0300A	300 A	2.5 VA	5 VA	2.5 VA	3.75 VA	1.5 VA	3.75 VA	-	-
0400A	400 A	3.75 VA	6.25 VA	2.5 VA	3.75 VA	2.5 VA	3.75 VA	-	-
0500A	500 A	-	-	3.75 VA	5 VA	3.75 VA	5 VA	1.25 VA	5 VA
0600A	600 A	-	-	5 VA	7.5 VA	5 VA	7.5 VA	1.25 VA	5 VA
0750A	750 A	-	-	7.5 VA	10 VA	7.5 VA	10 VA	5 VA	10 VA
0800A	800 A	-	-	7.5 VA	10 VA	7.5 VA	10 VA	7.5 VA	10 VA
1000A	1000 A	-	-	10 VA	15 VA	10 VA	15 VA	10 VA	20 VA
1200A	1200 A	-	-	-	-	15 VA	30 VA	15 VA	20 VA
1250A	1250 A	-	-	-	-	15 VA	30 VA	15 VA	20 VA
1500A	1500 A	-	-	-	-	20 VA	45 VA	20 VA	30 VA
1600A	1600 A	-	-	-	-	20 VA	45 VA	20 VA	30 VA
2000A	2000 A	-	-	-	-	20 VA	45 VA	25 VA	30 VA
2500A	2500 A	-	-	-	-	25 VA	45 VA	25 VA	30 VA
3000A	3000 A	-	-	-	-	30 VA	45 VA	30 VA	45 VA
4000A	4000 A	-	-	-	-	-	-	30 VA	45 VA
5000A	5000 A	-	-	-	-	-	-	30 VA	45 VA



Secondary current	Code
x/5A	5
x/1A	1

Ordering example: Order code LCTS 9330400300A55 means the transformer LCTS 93/30SC(40) 300/5A ; Class 0.5; power 2.5VA

# LCTS - SPLIT CORE SERIES | COMPACT VERSION

NEW



INPUT:

150 A  
...  
500 A

OUTPUTS:

5 A 1 A



	LCTS 50/18SC	LCTS 50/32SC
Hole diameter	18.5 mm	32.5 mm
Depth	65.2 mm	65.2 mm
Width	61.4 mm	61.4 mm
Primary current	150 A...250 A	250 A...500 A
Secondary current	1 A, 5 A	
Accuracy class	1	

3 YEAR WARRANTY

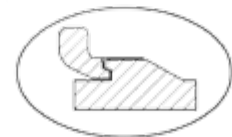
## GENERAL SPECIFICATION:

Applicable standards:	IEC 61869-1/2
Thermal nominal continuous rated current ( $I_{cth}$ ):	1.2 x $I_n$
Thermal nominal short time current ( $I_{dyn}$ ):	60 x $I_n$ , 1 sek
Maximum Operating Voltage:	0.72 kV
Rated Frequency:	50/60 Hz
Insulation Test Voltage:	3 kV, 1 Min.
Insulation Class:	E
Ambient temperature range:	-20°C ... +45°C
Storage temperature range:	-30°C ... +60°C
Ratios ranging:	from 150/1 up to 500/5
Accuracy Class:	1
Suitable only for mounting on insulated primary conductor.	
To be used in weather protected & dry location.	



## FEATURES:

- Hinged Split Core.
- Swing open for ease of installation.
- Compact size.
- Two options for Bus Bar Mounting.
- Cable Tie provision for faster installation.
- Safety Plug in shorting link.
- Available with M4 Size Terminals.
- Provided with 3 Meter wire for 1A Output.
- Provided with 1 Meter wire for 5A Output.
- Wide range of system current ratings.
- Assured Core contact with Latching Type Snap fitment.
- Vibration Resistant Design.

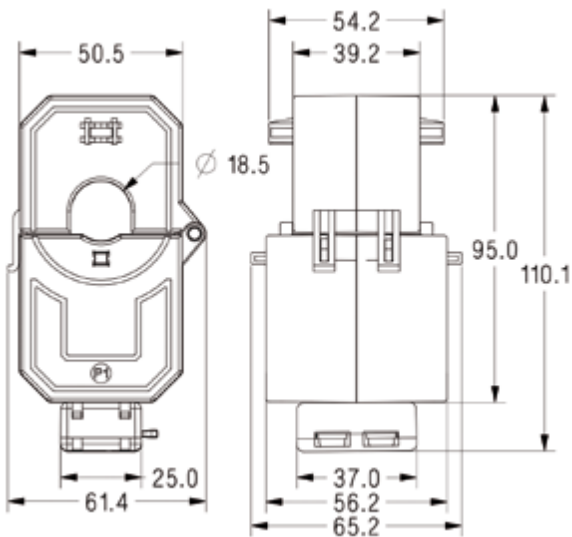


Locking Profile to avoid Accidental Opening.

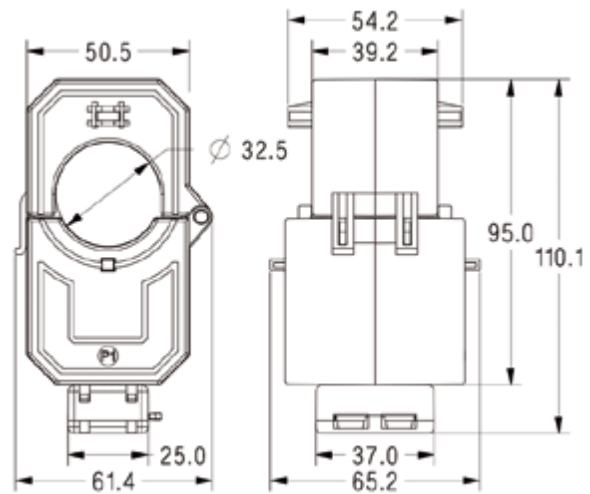


## DIMENSIONS

### LCTS 50/18SC



### LCTS 50/32SC

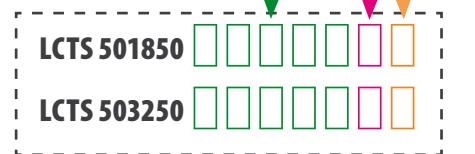


## ORDERING CODES

Transformer type	LCTS 50/18SC	LCTS 50/32SC
Accuracy class	1	1
Code	1	1

Code	Primary current	Transformer burden	
0150A	150 A	0.2 VA	-
0200A	200 A	0.2 VA	-
0250A	250 A	1 VA	0.2VA
0300A	300 A	-	0.2 VA
0400A	400 A	-	0.2 VA
0500A	500 A	-	0.2 VA



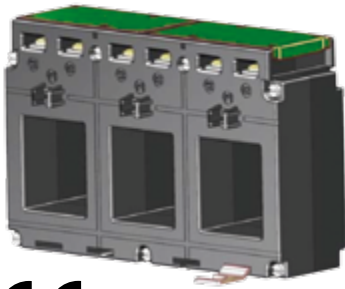
Secondary current	Code
x/5A	5
x/1A	1

**Ordering example:** Order code a LCTS 5032500500A5 means the transformer LCTS 50/32SC 500/5A ; Class 1; power 0.2VA

3 YEAR WARRANTY  
shop.lumel.com.pl



# LCTP - 3-PHASE BUSBAR SERIES



INPUT:

100 A  
...  
500 A

OUTPUT:

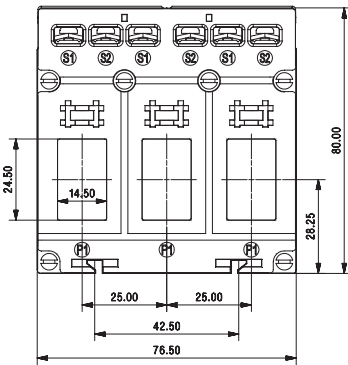
5 A 1 A



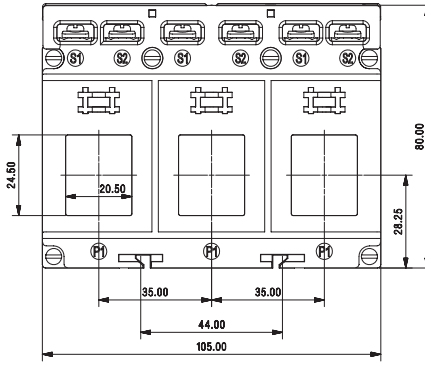
	LCTP 75/15 (60)	LCTP 105/21 (40)	LCTP 140/31 (40)
Busbar	14 x 24 mm	20 x 24 mm	31 x 36 mm
Depth	60 mm	40 mm	40 mm
Width	76.5 mm	105 mm	140 mm
Primary current	100...160 A	100...250 A	250...500 A
Secondary current	5 A; 1 A		
Accuracy class	0.5; 1		

## DIMENSIONS

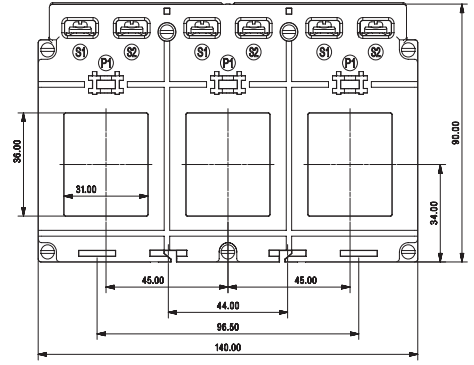
LCTP 75/15 (60)



LCTP 105/21 (40)



LCTP 140/31 (40)



3 YEAR WARRANTY

shop.lumel.com.pl

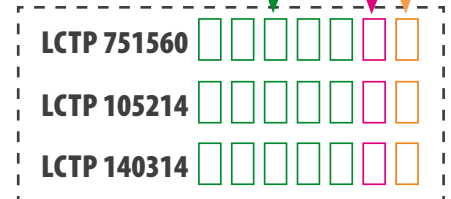
ePLAN

## ORDERING CODES

Transformer type	LCTP 75/15 (60)		LCTP 105/21 (40)		LCTP 140/31 (40)	
Accuracy class	0.5	1	0.5	1	0.5	1
Code	5	1	5	1	5	1

Code	Primary current	Transformer burden					
0100A	100 A	-	1 VA	-	1 VA	-	-
0125A	125 A	-	1.5 VA	-	1.5 VA	-	-
0150A	150 A	1.5 VA	1.5 VA	-	1.5 VA	-	-
0160A	160 A	1.5 VA	1.5 VA	1.5 VA	1.5 VA	-	-
0200A	200 A	-	-	1.5 VA	1.5 VA	-	-
0250A	250 A	-	-	1.5 VA	1.5 VA	1.5 VA	1.5 VA
0300A	300 A	-	-	-	-	2.5 VA	2.5 VA
0400A	400 A	-	-	-	-	2.5 VA	2.5 VA
0500A	500 A	-	-	-	-	2.5 VA	2.5 VA
0600A	600 A	-	-	-	-	2.5 VA	2.5 VA
0630A	630 A	-	-	-	-	2.5 VA	2.5 VA

Secondary current	Code
x/5A	5
x/1A	1



Ordering example: Order code LCTP 7515600150A55 means the transformer LCTP 75/15(60) 150/5A; Class 0.5; power 1.5VA

ACCESSORIES:  
DIN rail mounting base  
Order code: LH000-0904-130-124

# LCTP - 3-PHASE BUSBAR SERIES

	LCTP 185/27 (45)	LCTP 185/37 (45)
Hole diameter	∅ 27 mm	∅ 37 mm
Depth	45 mm	45 mm
Width	185 mm	185 mm
Primary current	100...500 A	300...800 A
Secondary current	5A; 1 A	
Accuracy class	1	

INPUT:

100 A  
...  
800 A

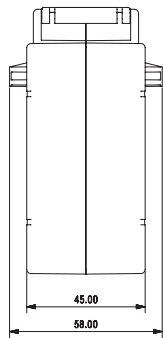
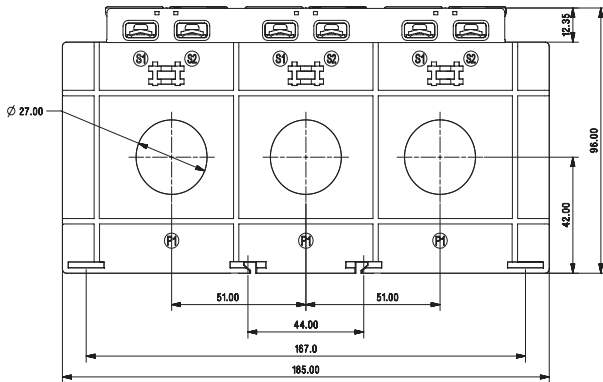
OUTPUT:

5 A 1 A

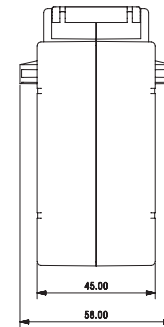
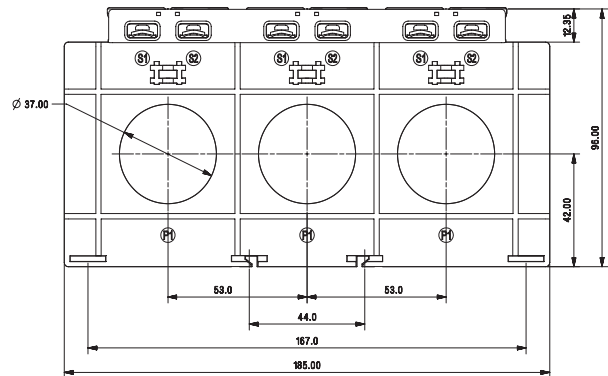


## DIMENSIONS

LCTP 185/27 (45)



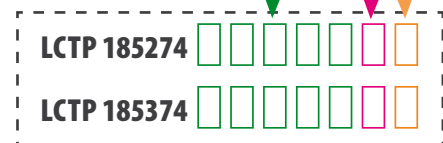
LCTP 185/37 (45)



## ORDERING CODES

Transformer type	LCTP 185/27 (45)	LCTP 185/37 (45)	
Accuracy class	1	1	
Code	1	1	
Code	Primary current	Transformer burden	
0100A	100 A	1.5 VA	-
0150A	150 A	1.5 VA	-
0200A	200 A	2.5 VA	-
0250A	250 A	2.5 VA	-
0300A	300 A	5 VA	2.5 VA
0400A	400 A	5 VA	5 VA
0500A	500 A	5 VA	5 VA
0600A	600 A	-	5 VA
0800A	800 A	-	5 VA

Secondary current	Code
x/5A	5
x/1A	1



Ordering example: Order code LCTP 1852740150A51 means the transformer LCTP 185/27(45) 150/5A; Class 1; power 1.5VA

### ACCESSORIES:

DIN rail mounting base

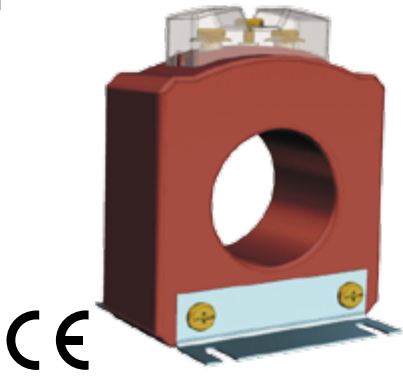
Order code: LH000-0904-130-124

3 YEAR WARRANTY

shop.lumel.com.pl



# LRC - RESIN CAST SERIES



INPUT:

60 A  
...  
320 A

OUTPUT:

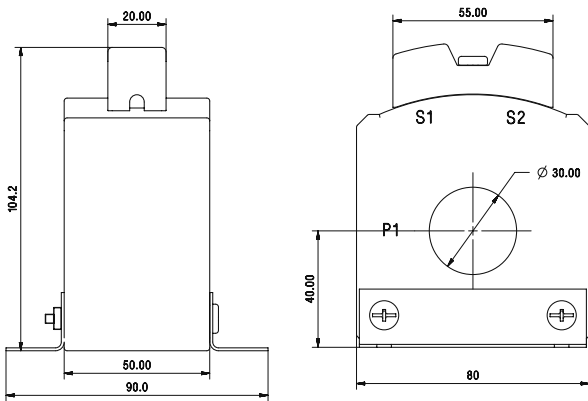
5 A 1 A



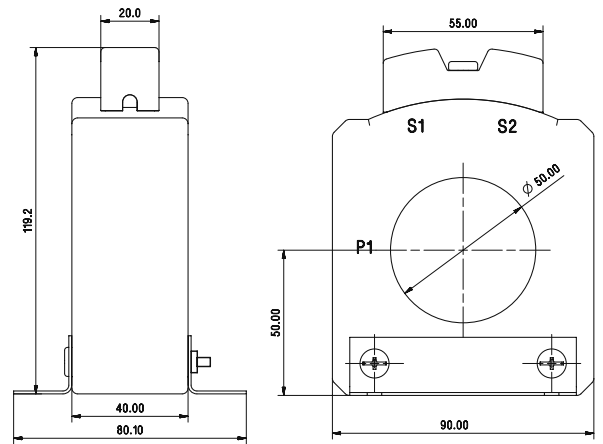
	LRC1 80/30(50)	LRC2 90/50(40)
Hole diameter	∅ 30 mm	∅ 50 mm
Depth	50 mm	40 mm
Width	80 mm	90 mm
Primary current	60 A...160 A	200 A...320 A
Secondary current	1 A, 5 A	
Accuracy class	1	

## DIMENSIONS

LRC1 80/30(50)



LRC2 90/50(40)

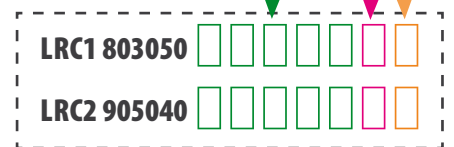


## ORDERING CODES

Transformer type	LRC1 80/30(50)		LRC2 90/50(40)	
Accuracy class	0.5	1	0.5	1
<b>Code</b>	<b>5</b>	<b>1</b>	<b>5</b>	<b>1</b>

Code	Primary current	Transformer burden			
0060A	60 A	-	1.5 VA	-	-
0075A	75 A	2.5 VA	1.5 VA	-	-
0100A	100 A	2.5 VA	5 VA	-	-
0125A	125 A	3.75 VA	5 VA	-	-
0150A	150 A	3.75 VA	5 VA	-	-
0160A	160 A	3.75 VA	5 VA	-	-
0200A	200 A	-	3.75 VA	5 VA	-
0250A	250 A	-	3.75 VA	10 VA	-
0300A	300 A	-	5 VA	10 VA	-
0320A	320 A	-	5 VA	10 VA	-

Secondary current	Code
x/5A	5
x/1A	1



**Ordering example:** Order code LRC1 8030500150A51 means the transformer LRC1 80/30(50) 150/5A; Class 1; power 5VA

3 YEAR WARRANTY

shop.lumel.com.pl



ePLAN

# LRC - RESIN CAST SERIES

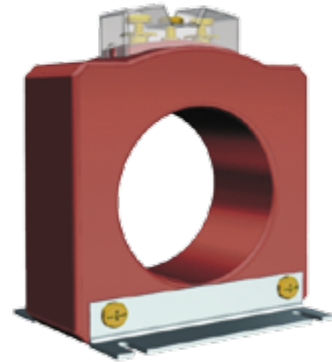
	LRC3 110/72(40)	LRC4 135/85(40)
Hole diameter	Ø 72 mm	Ø 85 mm
Depth	40 mm	40 mm
Width	110 mm	135 mm
Primary current	400 A...630 A	800 A...1250 A
Secondary current	1 A, 5 A	
Accuracy class	1	

INPUT:

400 A  
...  
1250 A

OUTPUTS:

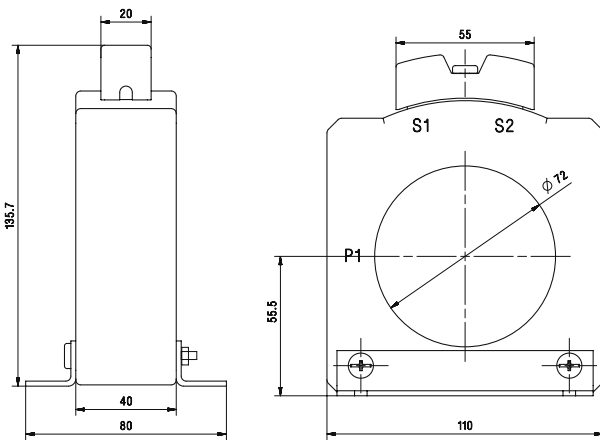
5 A 1 A



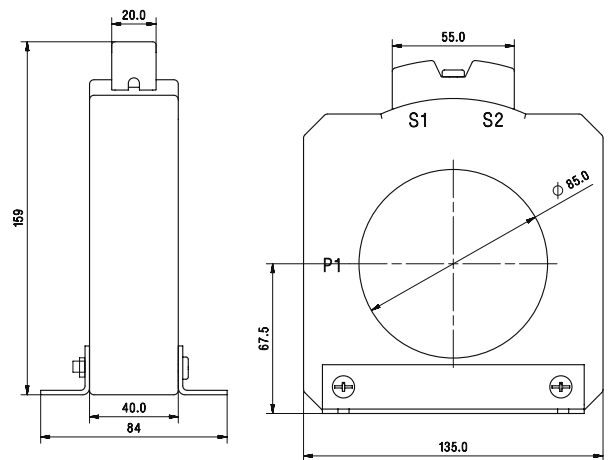
3 YEAR WARRANTY

## DIMENSIONS

LRC3 110/72(40)



LRC4 135/85(40)



shop.lumel.com.pl



EPLAN

## ORDERING CODES

Transformer type	LRC3 110/72(40)		LRC4 135/85(40)		
Accuracy class	0.5	1	0.5	1	
Code	5	1	5	1	
Code	Primary current	Transformer burden			
0400A	400 A	5 VA	10 VA	-	-
0500A	500 A	7.5 VA	15 VA	-	-
0600A	600 A	15 VA	15 VA	-	-
0630A	630 A	15 VA	15 VA	-	-
0800A	800 A	-	-	15 VA	15 VA
1000A	1000 A	-	-	15 VA	15 VA
1200A	1200 A	-	-	15 VA	15 VA
1250A	1250 A	-	-	15 VA	15 VA

Secondary current	Code
x/5A	5
x/1A	1

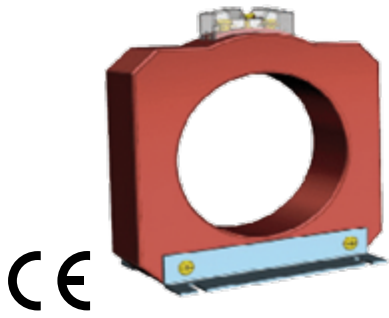
  

**LRC3 110724** [ ][ ][ ][ ][ ] [ ] [ ]

**LRC4 135854** [ ][ ][ ][ ][ ] [ ] [ ]

Ordering example: Order code LRC3 1107240500A51 means the transformer LRC3 110/72(40) 500/5A; Class 1; power 15VA

# LRC - RESIN CAST SERIES



INPUT:

1500 A  
...  
3200 A

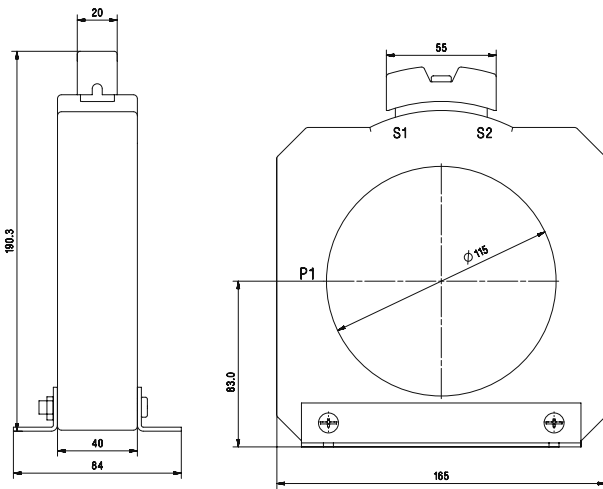
OUTPUTS:

5 A 1 A

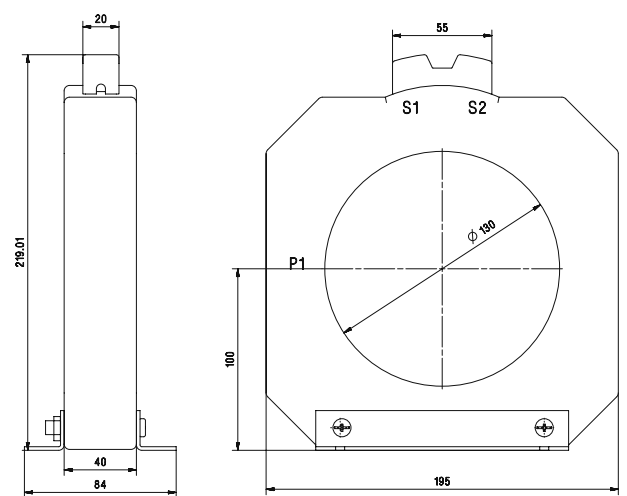
	LRC5 165/115(40)	LRC6 195/130(40)
Hole diameter	∅ 115 mm	∅ 130 mm
Depth	40 mm	40 mm
Width	165 mm	195 mm
Primary current	1500 A...2000 A	2500 A...3200 A
Secondary current	1 A, 5 A	
Accuracy class	1	

## DIMENSIONS

LRC5 165/115(40)



LRC6 195/130(40)



## ORDERING CODES

Transformer type	LRC5 165/115(40)		LRC6 195/130(40)	
Accuracy class	0.5	1	0.5	1
Code	5	1	5	1

Code	Primary current	Transformer burden			
1500A	1500 A	15 VA	15 VA	-	-
1600A	1600 A	15 VA	15 VA	-	-
2000A	2000 A	15 VA	15 VA	-	-
2500A	2500 A	-	-	15 VA	15 VA
3000A	3000 A	-	-	15 VA	15 VA
3200A	3200 A	-	-	15 VA	15 VA

Secondary current	Code
x/5A	5
x/1A	1

LRC5 165115

LRC6 195130

Ordering example: Order code LRC5 1651151500A51 means the transformer LRC5 165/115(40) 1500/5A; Class 1; power 15VA

# LRC - RESIN CAST SERIES

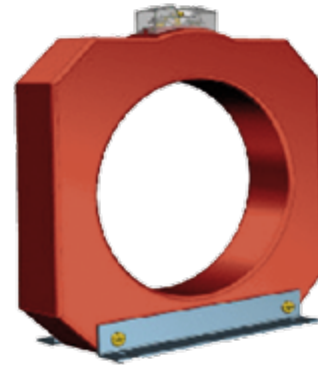
	LRC7 230/165(40)	LRC8 295/200(40)
Hole diameter	Ø 165 mm	Ø 200 mm
Depth	40 mm	40 mm
Width	230 mm	295 mm
Primary current	3000 A...3200 A	4000 A....5000 A
Secondary current	1 A, 5 A	
Accuracy class	1	

INPUT:

3000 A  
...  
5000 A

OUTPUTS:

5 A    1 A



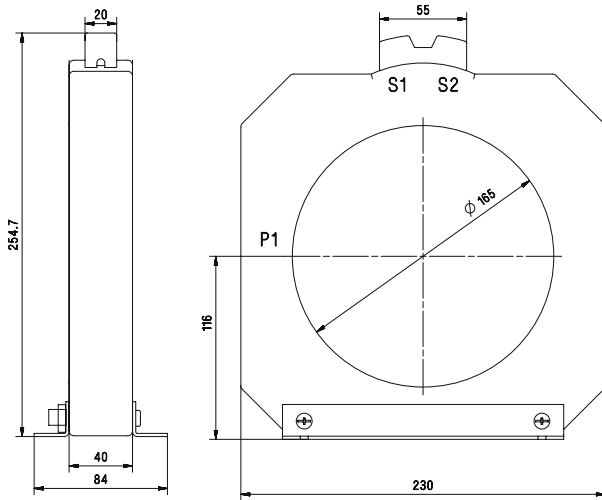
3 YEAR WARRANTY

shop.lumel.com.pl

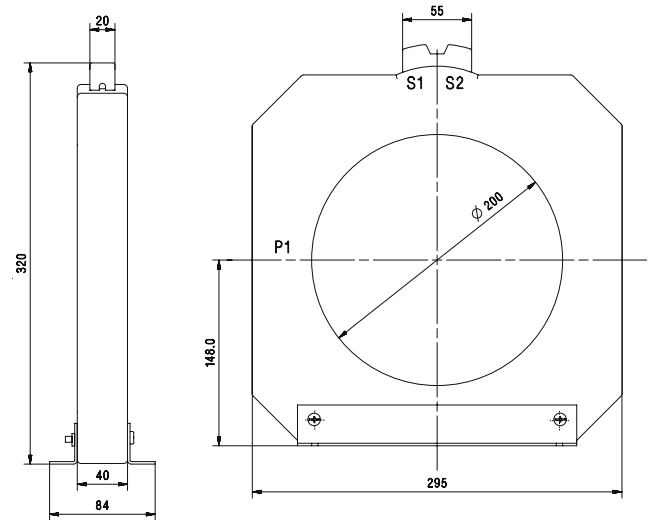


## DIMENSIONS

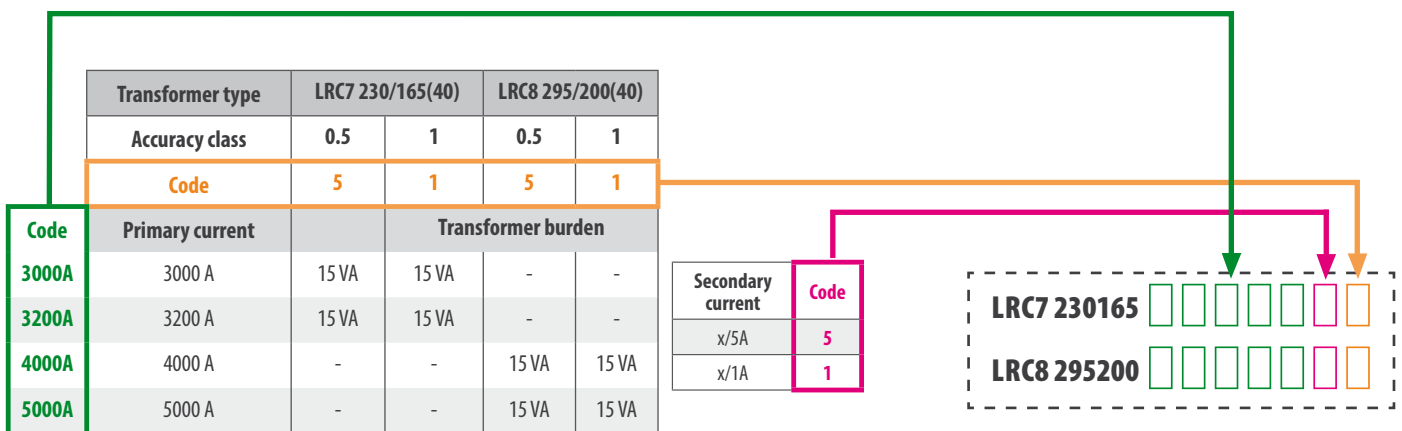
LRC7 230/165(40)



LRC8 295/200(40)



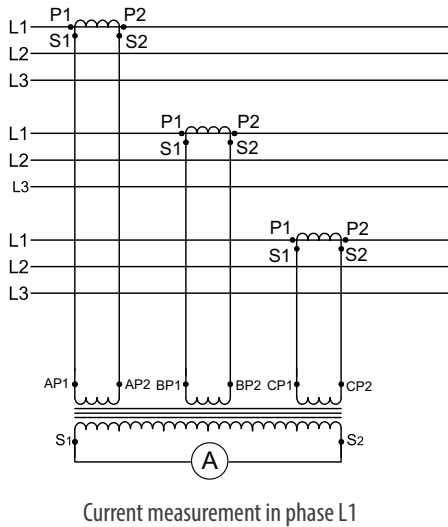
## ORDERING CODES



Ordering example: Order code LRC7 2301653200A51 means the transformer LRC7 230/165(40) 3200/5A; Class 1; power 15VA

# LU01 - SUMMATION CURRENT TRANSFORMERS

**SUMMATION CURRENT TRANSFORMER** are designed to summarize several synchronous alternating currents of equal phase relation with any angle of phase difference. They are used to add secondary currents of several main c.t.'s in order to measure with the CT only.



## AN EXAMPLE OF POWER SELECTION FOR MAIN TRANSFORMERS WITH DIFFERENT TRANSMISSIONS

Main Transformer ratio:

$$\begin{array}{r} 500/5A \\ 400/5A \\ \hline 300/5A \\ \hline \text{Total current} = 1200/5A \end{array}$$

Burden - 1 Ammeter

Required Active performance of the Current Transformer:

Ammeter	1.5 VA
Measurement Conductor Loss	1.5 VA
Consumption in Summation CT	4.0 VA
<b>Total VA</b>	<b>7.0 VA</b>

The individual main transformer must provide it's VA share from this 7.0 VA.

1. Main transformer 500/ 5A (500/ 1200) x 7 = 2.92 VA + additional losses ≈ 3.75 VA\*
2. Main transformer 400/ 5A (400/ 1200) x 7 = 2.33 VA + additional losses ≈ 2.5 VA\*
3. Main transformer 300/ 5A (300/ 1200) x 7 = 1.75 VA + additional losses ≈ 2.5 VA\*

\* The VA values of the main transformer are to be rounded up to the corresponding values in our chart.

**Note:** If using unequal main c.t.'s than ration of lowest primary main c.t. current to the highest one should not exceed 1:8.

## FEATURES:

- Available current transformers versions with 2 to 8 primary windings.
- Nickel plated secondary terminals with +/- screws.
- Multiple mounting methods, including wall mounting, DIN rail 35mm.
- Terminal protection IP10.

## GENERAL SPECIFICATION

<b>Applicable standard:</b>	IEC 61869-1/2
<b>Case:</b>	self-extinguishing plastic
<b>Connection:</b>	Two connection on each side. M4 screws with self lifting clamp strap.
<b>Insulation class:</b>	E (max 120°C)
<b>Maximum system voltage:</b>	0.72 kV
<b>Operating frequency:</b>	50/60 Hz
<b>Test voltage:</b>	3 kV, 50 Hz, 1 min
<b>Rated primary rating:</b>	(2...8) x 5A
<b>Rated secondary output:</b>	5A
<b>Rated burden:</b>	5; 10; 15; 20; 25 VA
<b>Accuracy class:</b>	0.5; 1
<b>Ambient temperature:</b>	-25°C ... +40°C
<b>Storage temperature:</b>	-50°C ... +80°C
<b>Thermal short circuit current (I<sub>th</sub>):</b>	60 x I <sub>n</sub>
<b>Dynamic short circuit current (I<sub>dyn</sub>):</b>	2,5 x I <sub>th</sub>
<b>Instrument security factor (FS):</b>	5,10

FEATURES:

720 V

Class  
0.5  
1

OUTPUTS:

5 A

3 YEAR WARRANTY

shop.lumel.com.pl



ePLAN



# LU01 - SUMMATION CURRENT TRANSFORMERS

	LU01 (75)
Depth	70 mm
Width	75 mm
Inputs	2 x 1 A...4 x 1 A or 2 x 5 A...4 x 5 A
Secondary current	1 A, 5 A
Accuracy class	0.5; 1

INPUTS:

2 x 1 A  
...  
4 x 1 A

2 x 5 A  
...  
4 x 5 A

OUTPUTS:

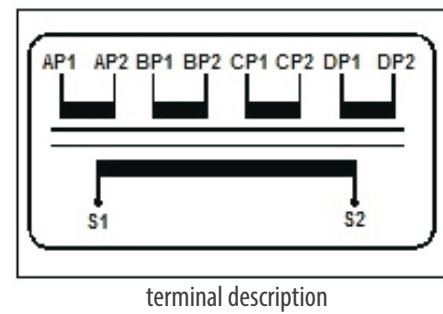
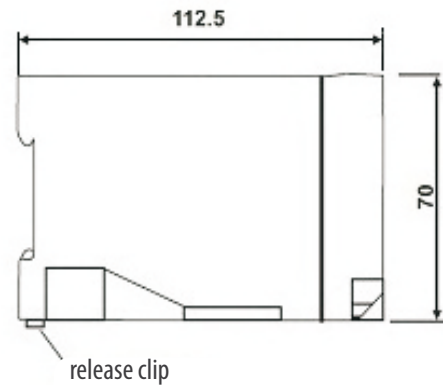
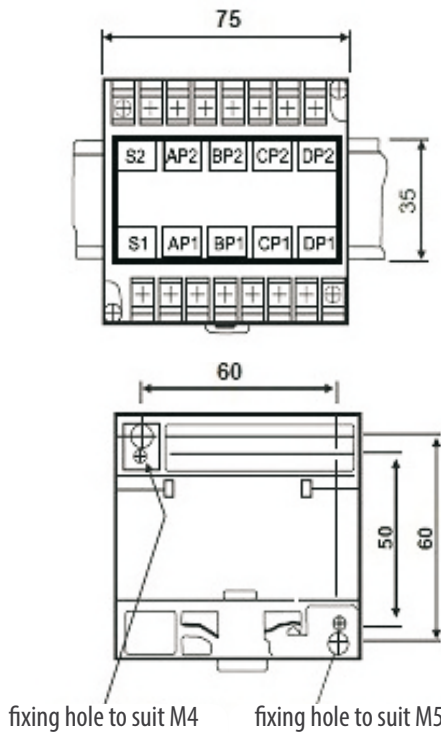
1 A

5 A



## DIMENSIONS

LU01 (75)



## ORDERING CODES

Code	Inputs	Transformer type		Code	
		LU01 (75)			
		Accuracy class			
		0.5	1		
		Code	5	1	
0255	2 x 5A	5 VA	5 VA	08	
		10 VA	10 VA	11	
		15 VA	15 VA	13	
		-	20 VA	14	
		-	25 VA	17	
0211	2 x 1A	5 VA	5 VA	08	
		10 VA	10 VA	11	
		15 VA	15 VA	13	
		-	-	14	
		-	25 VA	17	
0355	3 x 5A	5 VA	5 VA	08	
		10 VA	10 VA	11	
		15 VA	15 VA	13	
		-	20 VA	14	
		-	25 VA	17	
0311	3 x 1A	-	5 VA	08	
		10 VA	-	11	
		15 VA	-	13	
0455	4 x 5A	5 VA	5 VA	08	
		10 VA	10 VA	11	
		15 VA	15 VA	13	
		-	20 VA	14	
		-	25 VA	17	
0411	4 x 1A	15 VA	-	13	



**Ordering example:** Order code LU01 0255111L00000 means the summation transformer LU01 (75), INPUTS: 2x 5A, Class 1, 10 VA

3 YEAR WARRANTY

shop.lumel.com.pl



EPLAN

# LU01 - SUMMATION CURRENT TRANSFORMERS



INPUTS:

5 x 1A  
8 x 1A

5 x 5A  
8 x 5A

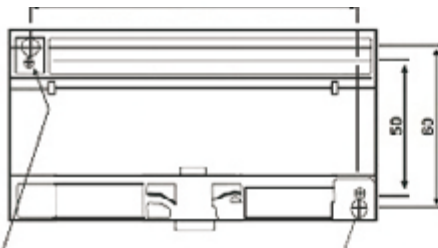
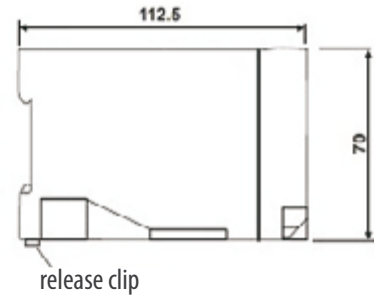
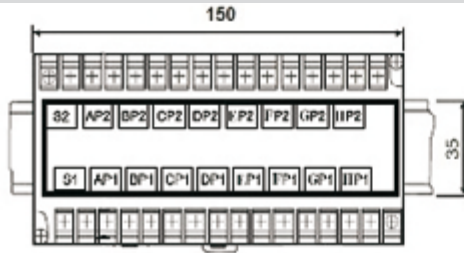
OUTPUTS:

1 A  
5 A

	LU01 (150)
Depth	70 mm
Width	150 mm
Inputs	5 x 1A...8 x 1A or 5 x 5A...8 x 5A
Secondary current	1 A, 5 A
Accuracy class	0.5; 1

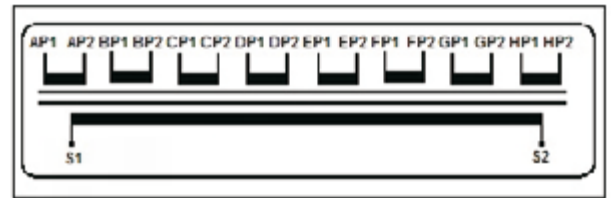
## DIMENSIONS

LU01 (150)



fixing hole to suit M4

fixing hole to suit M5



terminal description

## ORDERING CODES

Code	Inputs	Transformer burden		Code
		5 VA	10 VA	
0555	5 x 5A	5 VA	5 VA	08
		10 VA	10 VA	11
		15 VA	15 VA	13
		-	20 VA	14
0511	5 x 1A	5 VA	5 VA	08
		10 VA	10 VA	11
		15 VA	15 VA	13
		-	20 VA	14
0655	6 x 5A	5 VA	5 VA	08
		10 VA	10 VA	11
		15 VA	15 VA	13
		-	20 VA	14
0611	6 x 1A	5 VA	5 VA	08
		10 VA	10 VA	11
		15 VA	15 VA	13
		-	20 VA	14
0755	7 x 5A	5 VA	5 VA	08
		10 VA	10 VA	11
		15 VA	15 VA	13
		-	20 VA	14
0711	7 x 1A	5 VA	5 VA	08
		10 VA	10 VA	11
		15 VA	15 VA	13
		-	20 VA	14
0855	8 x 5A	5 VA	5 VA	08
		10 VA	10 VA	11
		15 VA	15 VA	13
		-	20 VA	14
0811	8 x 1A	15 VA	15 VA	13
		-	20 VA	14



Ordering example: Order code LU01 0555111L00000 means the summation transformer LU01 (150), INPUTS: 5x 5A, Class 1, 10 VA

3 YEAR WARRANTY

shop.lumel.com.pl

ePLAN

# LW - ROUND CURRENT TRANSFORMERS

	LW01	LW02
Hole diameter	∅ 30 mm	∅ 30 mm
Depth	40 mm	50 mm
Outer diameter	∅ 73 mm	∅ 73 mm
Primary current	50 A...200 A	50 A...200 A
Secondary current	1 A, 5 A	
Accuracy class	0.5; 1	0.2; 0.5S; 0.5; 1

INPUT:

50 A  
...  
200 A

OUTPUTS:

5 A 1 A



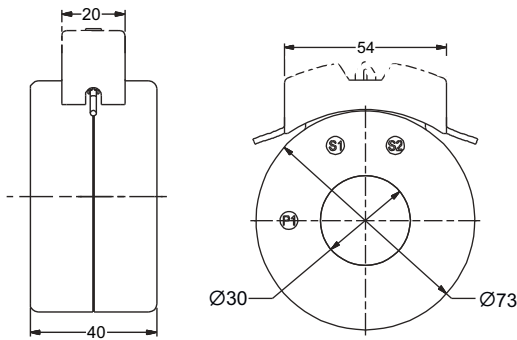
3 YEAR WARRANTY

shop.lumel.com.pl

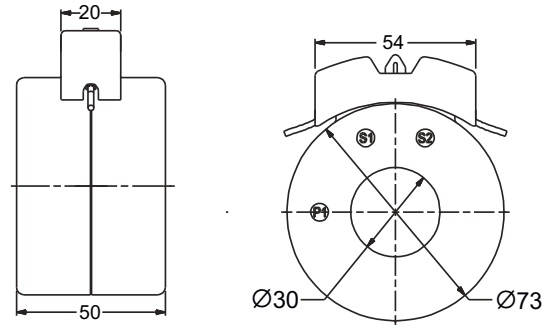


## DIMENSIONS

LW01



LW02



## ORDERING CODES

Code	Transformer type	LW01		LW02									
		Accuracy class	0.5	1	0.2	0.5S	0.5	1					
	Rated primary current	Transformer burden											
13	50 A	-	-	1.5 VA	031	-	-	-	-	-	1.5 VA	031	
14	60 A	-	-	1.5 VA	031	-	-	-	-	-	1.5 VA	031	
16	75 A	-	-	1.5 VA	031	-	-	-	-	1.5 VA	035	2.5 VA	051
18	100A	1.5 VA	035	2.5 VA	051	-	-	-	-	2.5 VA	055	5 VA	081
19	120A	1.5 VA	035	2.5 VA	051	-	-	-	-	2.5 VA	055	5 VA	081
20	125 A	2.5 VA	055	3.75 VA	071	-	-	-	-	2.5 VA	055	5 VA	081
22	150 A	2.5 VA	055	5 VA	081	-	-	2.5 VA	056	5 VA	085	10 VA	111
24	200 A	5 VA	085	10 VA	111	2.5 VA	052	5 VA	086	10 VA	115	15 VA	131

Transformer type	Code
LW01	01
LW02	02

Secondary current	Code
x/5A	5
x/1A	1

Code: LW [ ] [ ] [ ] [ ] [ ] [ ] [ ] [ ] L000000

Ordering example: Order code LW 01185035L000000 means the transformer LW01 100/5A; Class 0,5; power 1.5VA

# LW - ROUND CURRENT TRANSFORMERS



INPUT:

75 A  
...  
600 A

OUTPUTS:

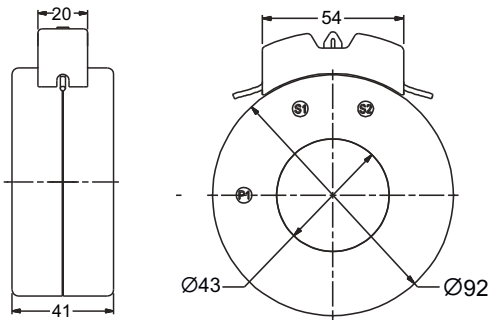
5 A 1 A



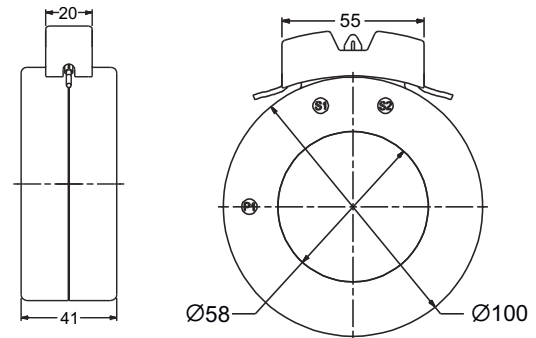
	LW03	LW04
Hole diameter	∅ 43 mm	∅ 58 mm
Depth	41 mm	41 mm
Outer diameter	∅ 92 mm	∅ 100 mm
Primary current	75 A...300 A	120 A...600 A
Secondary current	1 A, 5 A	
Accuracy class	0.2; 0.5S; 0.5; 1	

## DIMENSIONS

LW03



LW04



## ORDERING CODES

Code	Transformer type	LW03								LW04										
		Accuracy class		0.2		0.5S		0.5		1		Accuracy class		0.2		0.5S		0.5		1
Rated primary current	Transformer burden																			
16	75 A	-	-	-	-	-	-	-	1 VA	011	-	-	-	-	-	-	-	-	-	-
17	80 A	-	-	-	-	-	-	-	1.5 VA	031	-	-	-	-	-	-	-	-	-	-
18	100A	-	-	-	-	1 VA	015	2.5 VA	051	-	-	-	-	-	-	-	-	-	-	
19	120A	-	-	-	-	1 VA	015	2.5 VA	051	-	-	-	-	-	-	-	1 VA	011	-	
20	125 A	-	-	-	-	1 VA	015	2.5 VA	051	-	-	-	-	-	-	-	1.5 VA	031	-	
22	150 A	-	-	-	-	1.5 VA	035	3.75 VA	071	-	-	-	-	1 VA	015	2.5 VA	051	-	-	
24	200 A	1.5 VA	032	5 VA	086	5 VA	085	10 VA	111	-	-	1.5 VA	036	2.5 VA	055	5 VA	081	-	-	
27	250 A	2.5 VA	052	7.5 VA	106	7.5 VA	105	15 VA	131	-	-	2.5 VA	056	3.75	075	7.5 VA	101	-	-	
28	300 A	3.75 VA	072	10 VA	116	10 VA	115	20 VA	141	-	-	3.75 VA	076	5 VA	085	10 VA	111	-	-	
31	400 A	-	-	-	-	-	-	-	-	5 VA	082	7.5 VA	106	10 VA	115	20 VA	141	-	-	
32	500 A	-	-	-	-	-	-	-	-	7.5 VA	102	10 VA	116	15 VA	135	25 VA	201	-	-	
33	600 A	-	-	-	-	-	-	-	-	10 VA	112	15 VA	136	15 VA	135	25 VA	201	-	-	

Code

LW                      L000000

Transformer type	Code
LW03	03
LW04	04

Secondary current	Code
x/5A	5
x/1A	1

Ordering example: Order code LW 03185015L000000 means the transformer LW03 100/5A; Class 0.5; power 1VA

# LW - ROUND CURRENT TRANSFORMERS

	LW05	LW06
Hole diameter	Ø 72 mm	Ø 113 mm
Depth	41 mm	40 mm
Outer diameter	Ø 110 mm	Ø 159 mm
Primary current	200 A...1000 A	600 A...3200 A
Secondary current	1 A, 5 A	
Accuracy class	0.2; 0.5S; 0.5; 1	

INPUT:

200 A  
...  
3200 A

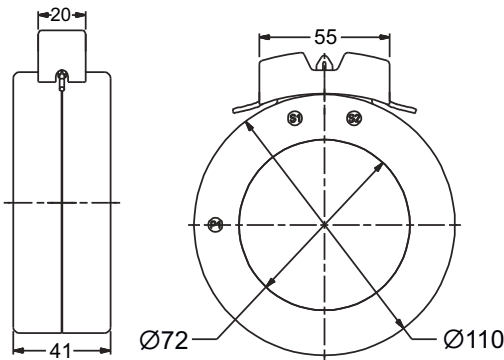
OUTPUTS:

5 A 1 A

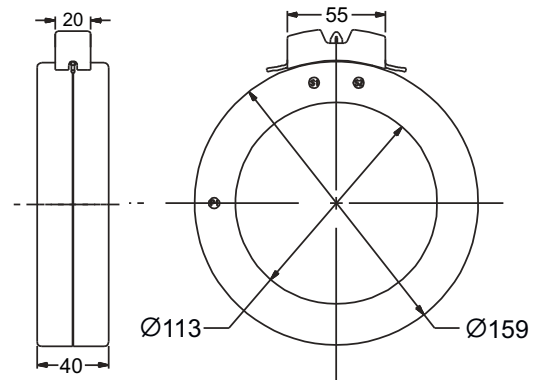


## DIMENSIONS

LW05



LW06



## ORDERING CODES

Transformer type	LW05								LW06								
	0.2	0.5S	0.5	1	0.2	0.5S	0.5	1	0.2	0.5S	0.5	1	0.2	0.5S	0.5	1	
<b>Code</b>	<b>Transformer burden</b>																
<b>Rated primary current</b>																	
24	200 A	-	-	-	-	-	-	1.5 VA	031	-	-	-	-	-	-	-	-
27	250 A	-	-	-	-	1.5 VA	035	2.5 VA	051	-	-	-	-	-	-	-	
28	300 A	-	-	-	-	2.5 VA	055	5 VA	081	-	-	-	-	-	-	-	
31	400 A	2.5 VA	052	5 VA	086	7.5 VA	105	12.5 VA	121	-	-	-	-	-	-	-	
32	500 A	3.75 VA	072	7.5 VA	106	10 VA	115	15 VA	131	-	-	-	-	-	-	-	
33	600 A	5 VA	082	7.5 VA	106	10 VA	115	15 VA	131	1.5 VA	032	3.75 VA	076	5 VA	085	10 VA	111
37	800 A	10 VA	112	15 VA	136	15 VA	135	30 VA	151	2.5 VA	052	7.5 VA	106	10 VA	115	15 VA	131
39	1000 A	10 VA	112	15 VA	136	15 VA	135	30 VA	151	3.75 VA	072	7.5 VA	106	10 VA	115	15 VA	131
40	1200 A	-	-	-	-	-	-	-	-	15 VA	132	15 VA	136	20 VA	145	30 VA	151
41	1250 A	-	-	-	-	-	-	-	-	15 VA	132	15 VA	136	20 VA	145	30 VA	151
42	1500 A	-	-	-	-	-	-	-	-	15 VA	132	15 VA	136	20 VA	145	30 VA	151
43	1600 A	-	-	-	-	-	-	-	-	15 VA	132	15 VA	136	20 VA	145	30 VA	151
44	2000 A	-	-	-	-	-	-	-	-	15 VA	132	20 VA	146	25 VA	205	45 VA	161
46	2500 A	-	-	-	-	-	-	-	-	15 VA	132	20 VA	146	25 VA	205	45 VA	161
48	3000 A	-	-	-	-	-	-	-	-	15 VA	132	25 VA	206	30 VA	155	45 VA	161
49	3200 A	-	-	-	-	-	-	-	-	15 VA	132	25 VA	206	30 VA	155	45 VA	161

Code

LW                L000000

Transformer type	Code
LW05	05
LW06	06

Secondary current	Code
x/5A	5
x/1A	1

Ordering example: Order code LW 05285055L000000 means the transformer LW05 300/5A; Class 0.5; power 2.5VA

3 YEAR WARRANTY

shop.lumel.com.pl

EPLAN

# LE - ROUND CURRENT TRANSFORMERS



INPUT:

50 A  
...  
600 A

OUTPUTS:

5 A 1 A



	LE 73/30 (50)	LE 92/43 (41)	LE 95/50 (40)	LE 100/58 (41)
Hole diameter	∅ 30 mm	∅ 43 mm	∅ 50 mm	∅ 58 mm
Depth	50 mm	41 mm	40 mm	41 mm
Outer diameter	∅ 73 mm	∅ 92 mm	∅ 95 mm	∅ 100 mm
Primary current	50 A...200 A	200 A...400 A	200 A...300 A	400 A...600 A
Secondary current	1 A, 5 A			
Accuracy class	1; 5	1		

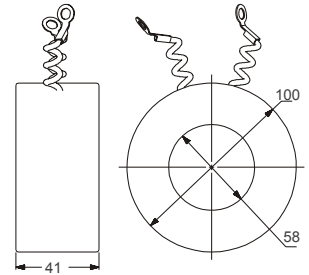
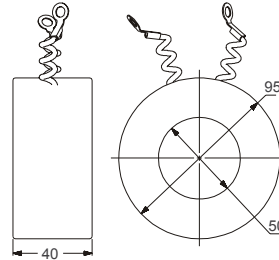
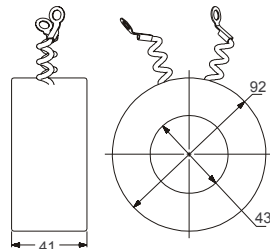
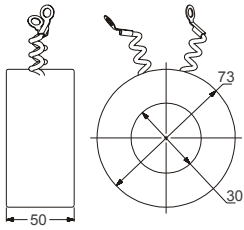
## DIMENSIONS

LE 73/30 (50)

LE 92/43 (41)

LE 95/50 (40)

LE 100/58 (41)



## ORDERING CODES

Transformer type	LE 73/30 (50)				LE 92/43 (41)				LE 95/50 (40)				LE 100/58 (41)							
	Accuracy class		Accuracy class		Accuracy class		Accuracy class		Accuracy class		Accuracy class		Accuracy class							
Code	1		5		1		1		1		1		1							
Rated primary current	Transformer burden																			
13	50 A	-	-	-	-	5 VA	087	-	-	-	-	-	-	-	-	-	-			
14	60 A	-	-	-	-	5 VA	087	-	-	-	-	-	-	-	-	-	-			
16	75 A	-	-	-	-	5 VA	087	-	-	-	-	-	-	-	-	-	-			
18	100 A	5 VA	081	-	-	-	-	-	-	-	-	-	-	-	-	-	-			
22	150 A	5 VA	081	-	-	-	-	-	-	-	-	-	-	-	-	-	-			
24	200 A	5 VA	081	15	131	-	-	-	-	-	-	-	-	-	-	-	-			
27	250 A	-	-	-	-	5 VA	081	10 VA	111	15 VA	131	5 VA	081	10 VA	111	15 VA	131			
28	300 A	-	-	-	-	5 VA	081	10 VA	111	15 VA	131	5 VA	081	10 VA	111	15 VA	131			
31	400 A	-	-	-	-	5 VA	081	-	-	15 VA	131	-	-	-	-	5 VA	081	15 VA	131	
32	500 A	-	-	-	-	-	-	-	-	-	-	-	-	-	-	-	5 VA	081	15 VA	131
33	600 A	-	-	-	-	-	-	-	-	-	-	-	-	-	-	-	5 VA	081	15 VA	131

Code

LE                L000000

Transformer type	Code
LE 73/30 (50)	01
LE 92/43 (41)	03
LE 95/50 (40)	04
LE 100/58 (41)	05

Secondary current	Code
x/5A	5
x/1A	1

Ordering example: Order code LE 01185081L000000 means the transformer LE 73/30(50) 100/5A; Class 1; power 5VA

# LE - ROUND CURRENT TRANSFORMERS

	LE 110/72 (41)	LE 135/85 (30)	LE 159/113 (40)	LE 165/130 (30)
Hole diameter	∅ 72 mm	∅ 85 mm	∅ 113 mm	∅ 130 mm
Depth	41 mm	30 mm	40 mm	30 mm
Outer diameter	∅ 110 mm	∅ 135 mm	∅ 159 mm	∅ 165 mm
Primary current	800 A...1000 A	800 A...1200 A	1200 A...2000 A	2400 A...5000 A
Secondary current	1 A, 5 A			
Accuracy class	1			

INPUT:

800 A  
...  
5000 A

OUTPUTS:

5 A 1 A



3 YEAR WARRANTY

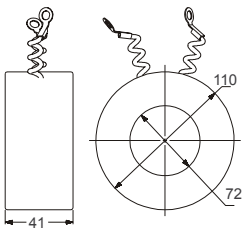
shop.lumel.com.pl



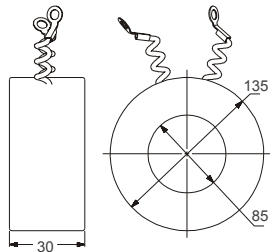
EPLAN

## DIMENSIONS

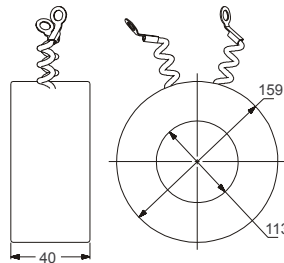
LE 110/72 (41)



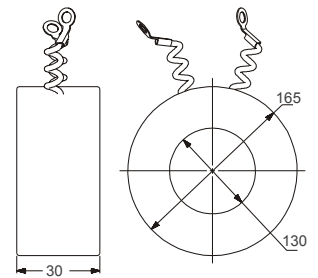
LE 135/85 (30)



LE 159/113 (40)



LE 165/130 (30)



## ORDERING CODES

Transformer type	LE 110/72 (41)	LE 135/85 (30)	LE 159/113 (40)	LE 165/130 (30)									
Accuracy class	1	1	1	1									
Code	Rated primary current	Transformer burden											
37	800 A	5 VA	081	15 VA	131	5 VA	081	15 VA	131	-	-	-	-
39	1000 A	5 VA	081	15 VA	131	5 VA	081	15 VA	131	-	-	-	-
40	1200 A	-	-	-	-	-	-	15 VA	131	15 VA	131	-	-
42	1500 A	-	-	-	-	-	-	-	-	15 VA	131	-	-
43	1600 A	-	-	-	-	-	-	-	-	15 VA	131	-	-
44	2000 A	-	-	-	-	-	-	-	-	15 VA	131	-	-
45	2400 A	-	-	-	-	-	-	-	-	-	-	15 VA	131
46	2500 A	-	-	-	-	-	-	-	-	-	-	15 VA	131
48	3000 A	-	-	-	-	-	-	-	-	-	-	15 VA	131
51	4000 A	-	-	-	-	-	-	-	-	-	-	15 VA	131
52	5000 A	-	-	-	-	-	-	-	-	-	-	15 VA	131

Code

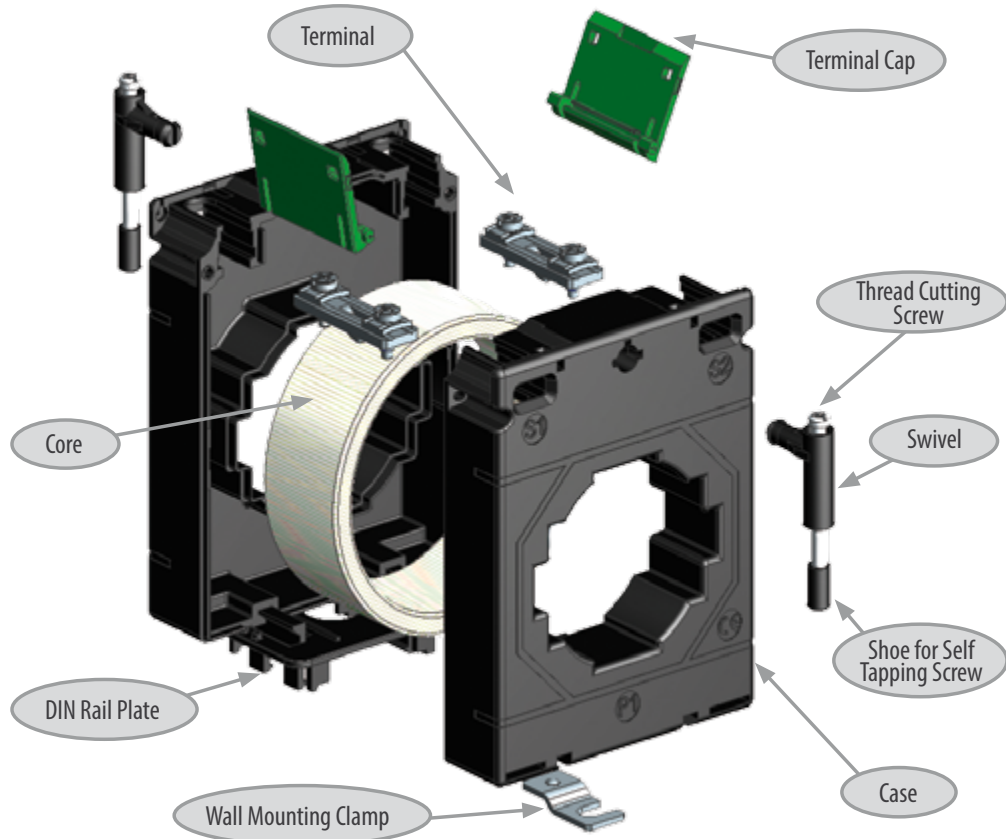
LE [ ] [ ] [ ] [ ] [ ] [ ] L000000

Transformer type	Code
LE 110/72 (41)	06
LE 135/85 (30)	07
LE 159/113 (41)	08
LE 165/130 (30)	09

Secondary current	Code
x/5A	5
x/1A	1

Ordering example: Order code LE 06395081L000000 means the transformer LE 110/72(41) 1000/5A; Class 1; power 5VA

# ACCESSORIES



## DIN rail mounting base:

(additional accessories - have to be order separately)

Order code	Transformer type	View
LH000-0904-130-123	LCTR 50/xx (30) LCTB 50/xx (30)	
LH000-0904-130-002	LCTR 45, LCTB 45	
LH000-0904-130-124	LCTM LCTR 62, LCTB 62, LCTB 74, LCTB 86, LCTB 104, LCTP	
LH000-0904-130-128 (for vertical or horizontal mounting)	LCTM, LCTR 62, LCTB 62, LCTB 74, LCTB 86, LCTB 104, LCTP	

Accessories		
Description	View	
Thread cutting screw 4 x 35mm		
Thread cutting screw 4 x 45mm		
Thread cutting screw 4 x 75mm		
Wall mounting clamp		
Swivel		
Shoe for self tapping M4 screw		
(only for transformers of LCTS type)	Nut of M4 screw	
	Locking pin	
	Thread cutting screw M4 x 45 mm	

3 YEAR WARRANTY

shop.lumel.com.pl

EPLAN



## Busbar mounting kit:

(delivered with each current transformer)

Kit order code	Description	No of pcs.	Transformer type
LH000-0904-130-140	Wall mounting clamp	2	LCTR 45, LCTB 45, LCTM 62W, LCTM 74W
LH000-0904-130-141	Thread cutting screw 4 x 35mm	2	LCTR 50, LCTB 50
	Wall mounting clamp	2	
	Swivel	2	
	Shoe for self tapping M4 screw	2	
LH000-0904-130-142	Thread cutting screw 4 x 45mm	2	LCTR 62, LCTB 62, LCTB 74, LCTB 86
	Wall mounting clamp	2	
	Swivel	2	
LH000-0904-130-147	Thread cutting screw 4 x 35mm	6	LCTB 100/100 V, LCTB 100/130 V
	Wall mounting clamp	2	
	Shoe for self tapping M4 screw	6	
LH000-0904-130-143	Thread cutting screw 4 x 45mm	4	LCTB 104
	Wall mounting clamp	2	
	Swivel	4	
	Shoe for self tapping M4 screw	4	
LH000-0904-130-144	Thread cutting screw 4 x 75mm	4	LCTB 140/80, LCTB 140/100H, LCTB 140/100V
	Wall mounting clamp	2	
	Swivel	4	
	Shoe for self tapping M4 screw	4	
LH000-0904-130-145	Thread cutting screw 4 x 75mm	1	LCTB 140/130 V
	Thread cutting screw 4 x 45mm	5	
	Wall mounting clamp	2	
	Shoe for self tapping M4 screw	6	
LH000-0904-130-146	Thread cutting screw 4 x 75mm	6	LCTB 225
	Wall mounting clamp	2	
	Shoe for self tapping M4 screw	6	
LH000-0904-130-623	Thread cutting screw M4 x 45mm	4	LCTS 93/30SC
	Wall mounting clamp	2	
	Shoe for self tapping M4 screw	4	
	Locking pin	1	
	Nut of M4 screw	4	
LH000-0904-130-624	Thread cutting screw M4 x 45 mm	6	LCTS 125/50SC
	Wall mounting clamp	2	
	Shoe for self tapping M4 screw	6	
	Locking pin	1	
	Nut of M4 screw	6	
LH000-0904-130-625	Thread cutting screw M4 x 45 mm	8	LCTS 155/80SC
	Wall mounting clamp	2	
	Shoe for self tapping M4 screw	8	
	Locking pin	1	
	Nut of M4 screw	8	

3 YEAR WARRANTY

shop.lumel.com.pl



**ePLAN**



# LUMEL

LUMEL has been known, since 1954, all over the world, as a manufacturer of top quality industrial automation devices. In 2020, international reports listed Lumel as one of the world's leaders in the production of electrical quantity transducers, network parameter analyzers and analog meters.

Lumel offers consists of product categories, such as:

- ▶ Network parameter meters and analyzers
- ▶ Electrical and non-electrical quantity transducers
- ▶ Digital meters
- ▶ Recorders and data loggers
- ▶ Controllers
- ▶ Analog meters
- ▶ Current transformers
- ▶ Shunts

Depending on the needs of the customer, the automation products and systems our offer relay on various data communication protocols (MODBUS, ETHERNET, PROFINET, BACNET or MQTT).

Apart from the products, Lumel specializes in complex systems used for:

- ▶ monitoring and optimizing the cost of electricity and other utilities (water, gas, compressed air)
- ▶ monitoring environmental parameters: temperature, humidity, light intensity, CO<sub>2</sub>, volatile gases
- ▶ solar energy

In addition to its manufacturing activity, Lumel offers also:

- ▶ OEM services in the scope of housing designing, electronics, mechanics, hardware and software. All under one roof.
- ▶ EMS services
- ▶ ODM services

We are a member of an international capital group which consists of the following companies: LUMEL S.A., LUMEL ALUCAST Sp. z o.o., Rishabh Instruments Pvt. Ltd., Sifam Tinsley US, Sifam Tinsley UK.

APRIL 2023

## LUMEL S.A.

ul. Stubicka 4  
65-127 Zielona Góra, Poland  
tel.: 68 45 75 100,  
fax. 68 45 75 508  
[www.lumel.com.pl](http://www.lumel.com.pl)

## EXPORT DEPARTMENT:

☎ + 48 68 45 75 130 or + 48 693 290 962  
✉ [export@lumel.com.pl](mailto:export@lumel.com.pl)

## CUSTOMER SERVICE:

☎ + 48 68 45 75 151  
☎ + 48 68 45 75 152  
☎ + 48 68 45 75 153  
☎ + 48 68 45 75 154

## X-ON Electronics

Largest Supplier of Electrical and Electronic Components

*Click to view similar products for [Current Transformers](#) category:*

*Click to view products by [LUMEL](#) manufacturer:*

Other Similar products are found below :

[L595100](#) [ACST-260](#) [BV EI 302 3989](#) [BV EI 303 2506](#) [BV EI 481 1290](#) [BV UI 302 0161](#) [45077](#) [PACT RCP-4000A-UIRO-PT-D14](#) [PACT RCP-4000A-UIRO-PT-D19](#) [HCT22K-ACQD-TN](#) [44206](#) [PTE504S](#) [HCT1001LD](#) [HCT415B-L](#) [HCT401L](#) [HCT418B-L](#) [HCT401C-B](#) [HCT35K-GG](#) [HCT401C-L](#) [LMZJ1-0.5 200/5A](#) [CBCT-210-1-CE](#) [CBCT-35-1-CE](#) [FC-SCT2010-200T](#) [FC-SCT5.0-1:50-20A](#) [FC-SCT1010-1:200T-40A](#) [FC-SCTEE8.3-100-1-30A-T](#) [FC-SCTEE8.5-1-100T](#) [FC-SCT1010-1:100T-40A](#) [FC-SCT5.0-1:70-20A](#) [FC-ACT25-50A-1000T-1T](#) [FC-SCT1090-300T-50A](#) [FC-SCT4.2-1:100](#) [FC-SCT5.0-1:125-20A](#) [FC-SCT6.0\(100-1\)-801-30A-S](#) [FC-SCT1090-100T-50A](#) [FC-SCT1010-1:50T-40A](#) [FC-SCT1010-1:180T-40A](#) [FC-SCT1010-1:70T-40A](#) [FC-SCT4.6-1:70](#) [FC-SCT5.0-1:100-20A](#) [FC-SCT4.6-1:100](#) [FC-SCT4.2-1:70](#) [FC-SCTEE8.3-200-1-30A-T](#) [FC-SCT2010-100T](#) [FC-SCT4.2-1:50](#) [FC-SCT4.6-150-1-20A](#) [FC-SCT1010-1:150T-40A](#) [FC-SCT1010-1:125T-40A](#) [FC-SCT1090-200T-50A](#) [ZHTM205](#)