

FK1 MINI® Style Blade Fuse Rated 32V



Blade Fuses



Specifications

DIN 72581/3F
ISO 8820
UL 248 Special Purpose Fuses

cULus Recognized: File No. E211637
Insulating body: Out of thermoplastic (UL 94-V0, heat-resistant)
Interrupting Rating: 1000 A @32 VDC
Cover: Out of thermoplastic (V0, transparent)
 Visible melting-element
 Red, not transparent
Terminals: Blade contacts
 Copper alloy, gal. Sn plated
 Edge-protected

Packaging:

Series Serien	Pack Size
168.6785.xxx7	50
168.6785.xxx2	8000

The FK1 32V automotive standard fuse link in a MINI® package. Three part construction with copper contacts for excellent reliability in harsh environment conditions with low voltage drop. Current ratings 1A thru 30A. See-through cover for easy detection of blown fuses.

Die FK1 32V-Standsicherung im MINI®-Gehäuse. Dreiteiliger Aufbau mit Kupferkontakten, niedriger Spannungsabfall und hohe Zuverlässigkeit unter rauen Umgebungsbedingungen. Nennstrom 1A bis 30A, transparente Abdeckung zur leichten Erkennung durchgebrannter Sicherungen.

Time-Current Characteristics / Schmelzeit-Grenzwerte

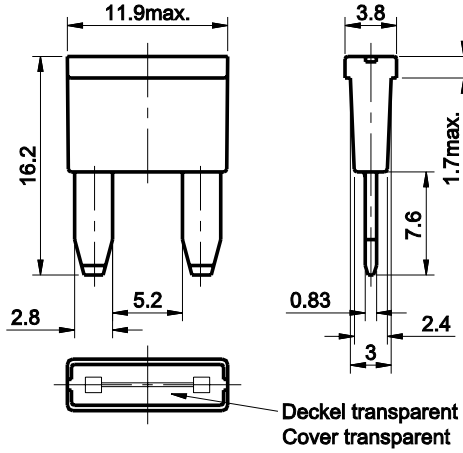
% of Rating % des Nennstromes	Opening Time Min / Max (s) Schmelzcharakteristik Min / Max (s)
110	360,000 s / –
135	0.75 s / 1,800 s
200	0.15 s / 5 s
350	0.040 s / 0.500 s
600	0.020 s / 0.100 s

Part Number Artikel-Nr.	Current Rating Nennstrom	Housing Color Kennfarbe	Typ. Voltage Drop Typ. Spannungsfall		Cold Resistance Kaltwiderstand	I²t
			Standard DIN max.	Littelfuse max.		
168.6785.410_	1 A	Black	225 mV	135 mV	100 mΩ	0.83 A²s
168.6785.420_	2 A	Grey	200 mV	110 mV	43.0 mΩ	3.31 A²s
168.6785.430_	3 A	Purple	175 mV	110 mV	27.0 mΩ	7.45 A²s
168.6785.440_	4 A	Pink	175 mV	110 mV	21.3 mΩ	16.7 A²s
168.6785.450_	5 A	Brown	175 mV	105 mV	16.2 mΩ	19.8 A²s
168.6785.475_	7.5 A	Dark Brown	150 mV	100 mV	9.70 mΩ	44.5 A²s
168.6785.510_	10 A	Red	125 mV	110 mV	7.40 mΩ	79.2 A²s
168.6785.515_	15 A	Blue	125 mV	105 mV	4.50 mΩ	178 A²s
168.6785.520_	20* A	Yellow	–	100 mV	3.10 mΩ	331 A²s
168.6785.525_	25* A	White	–	120 mV	2.60 mΩ	653 A²s
168.6785.530_	30* A	Green	–	105 mV	1.95 mΩ	1,264 A²s
160.6785.000_	Shunt* A	White	–	60 mV	1.35 mΩ	1,800 A²s

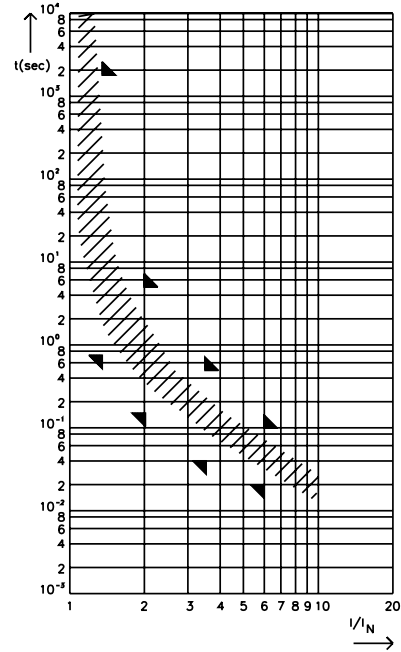
* Not mentioned in the standards
Corresponding holder see Section "Fuse Holders."

FK1 MINI® Style Blade Fuse Rated 32V

Dimensions in mm / Maße in mm



Pre-arcing Time - limits / Schmelzzeit-Grenzwerte DIN



FI = 1.33 (max. operating current: $0.75 \times I_{rat}$ at 23°C)

X-ON Electronics

Largest Supplier of Electrical and Electronic Components

Click to view similar products for [Automotive Fuses](#) category:

Click to view products by [Littelfuse](#) manufacturer:

Other Similar products are found below :

[HBO-10](#) [HBO-100](#) [HBO-150](#) [HBO-25](#) [HBO-40](#) [HBO-50](#) [AFX-150](#) [AT-10](#) [AT-30](#) [AT-5](#) [ATM-4LP](#) [ACL-30](#) [ACL-50](#) [AFX-50](#) [HBO-15](#)
[HBO-70](#) [AT-20](#) [AT-25](#) [AT-3](#) [142.7010.5502](#) [BK-HBH-I](#) [BK-AGX-1-2](#) [142.0020.6152](#) [FMM-15](#) [0695030.PXPS](#) [0695040.PXPS](#)
[0297003.WXT](#) [0695025.PXPS](#) [0695015.PXPS](#) [0200300](#) [02400106P](#) [0297002.WXT](#) [0297004.WXT](#) [0297010.WXT](#) [0297015.WXT](#)
[0297020.WXT](#) [0297025.WXT](#) [0297030.WXT](#) [029707.5WXT](#) [0602930](#) [0602935](#) [0602940](#) [0602950](#) [0602960](#) [0611100](#) [0611125](#) [0611150](#)
[0611175](#) [0611200](#) [0611225](#)