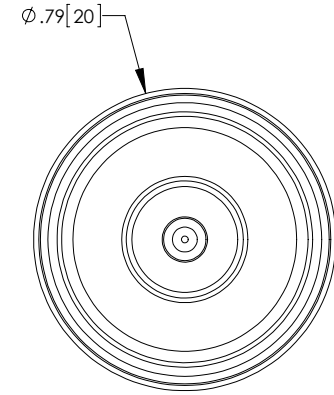
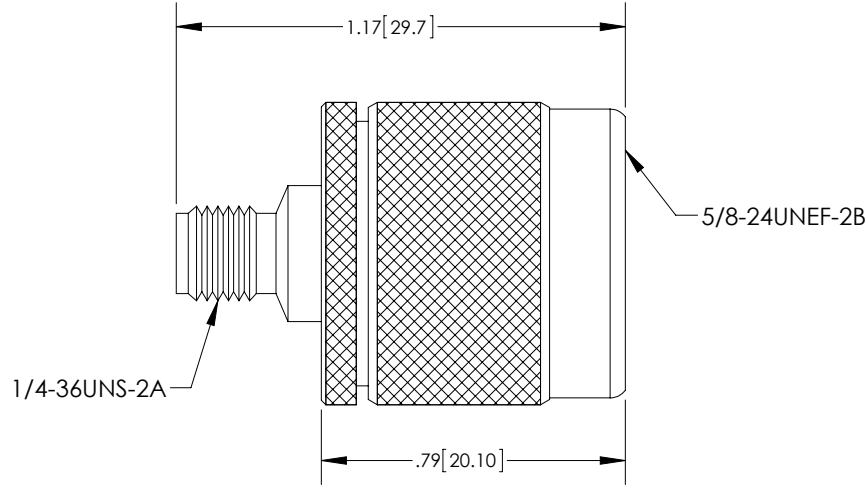
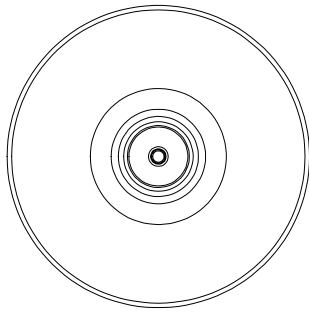
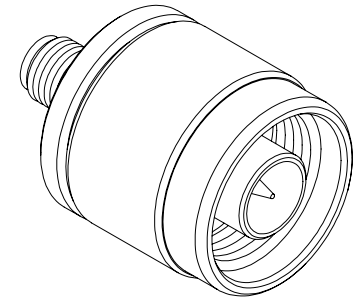


THE INFORMATION CONTAINED IN THIS DRAWING IS THE SOLE PROPERTY OF L-COM, INC. ANY REPRODUCTION IN PART OR WHOLE WITHOUT THE WRITTEN PERMISSION OF L-COM, INC. IS PROHIBITED.

REVISIONS			
REV	DESCRIPTION	DATE	APPROVED
A	INITIAL RELEASE	01/29/13	D.GRIFFIN
-	-	-	-
-	-	-	-

DESCRIPTION	MATERIAL	FINISH
BODY	BRASS	NICKEL
PIN	BRASS	GOLD
DIELECTRIC	PTFE	-
GASKET	RUBBER	-



**NOTES:**

**ELECTRICAL:**

IMPEDANCE: 50 OHMS  
 WITHSTAND VOLTAGE: 1000V  
 FREQUENCY RANGE: 0~6 GHz  
 VOLTAGE RATING: 500V PEAK  
 INSERTION LOSS: .15 dB MAX

**MISCELLANEOUS:**

COMPONENTS SHALL BE INDIVIDUALLY PACKAGED IN ACCORDANCE WITH L-COM SPECIFICATIONS PS-0031.

ALL DIMENSIONS ARE FOR REFERENCE ONLY.

**RoHS Compliant** ✓

UNLESS OTHERWISE SPECIFIED, DIMENSIONS ARE IN INCHES [mm]  DIMENSIONAL TOLERANCES: .X = ±.1 .XX = ±.01 .XXX = ±.005  ANGULAR TOLERANCES: ALL = ± 1°  PROJECTION 	APPROVALS	DATE		45 BEECHWOOD DRIVE NORTH ANDOVER, MA 01845
	DRAWN BY B.PUCHASKI	01/29/13		
	CHECKED BY K.BURGNER	01/29/13	CATEGORY COAXIAL	
	APPROVED BY K.BURGNER	01/29/13	PRODUCT DESCRIPTION N MALE TO SMA FEMALE ADAPTER	
	CONFIGURATION DETAILS OF UNDIMENSIONED FEATURES MAY VARY		SIZE <b>A</b>	FSCM NO. <b>43321</b>
	COLOR VARIATIONS MAY OCCUR		DWG. NO. AXA-NMSF	REV. <b>A</b>
			SCALE: NONE	CAD FILE: AXA-NMSF.SLDRW
				SHEET 1 OF 1

## X-ON Electronics

Largest Supplier of Electrical and Electronic Components

*Click to view similar products for [RF Adapters - Between Series](#) category:*

*Click to view products by [L-Com](#) manufacturer:*

Other Similar products are found below :

[5945-9503-000](#) [ADPL75-A1-PL75](#) [BJ158FL](#) [9317505](#) [ADBJ20-E2-BJ79](#) [ADBJ77-A1PL3155](#) [M55339/49-00349](#) [UAD95](#) [242235](#) [TM-FMEM-NDS-50](#) [AD-HQF-QCM-PM-2.5](#) [242291](#) [CT2771](#) [CT2762](#) [CT3387](#) [SMPP\(FD\)-HKP](#) [ADBJ377-A1-PL74](#) [ADT-2685-TM-SMM-02](#) [VA301](#) [ADT-2681-NM-SMF-02](#) [000-78875](#) [ADUBJ20-E1-PL375](#) [AD-UBJ20-E1-BJ89](#) [CT2940](#) [CT3389](#) [5300](#) [N9910X-602](#) [000-2900](#) [R191630007](#) [1057377-1](#) [1059825-1](#) [RF2-02-T-02-50-G](#) [RF2-03-T-00-50-G](#) [4295](#) [MCX/M-SMA/F](#) [1270](#) [BNC\(75\)J-H.FLJ-BPA-V\(40\)](#) [1296](#) [1297](#) [400PSM-CR](#) [1468](#) [53K164-S00N1](#) [SMA6251A1-3GT50G-50](#) [FME/M-SMA/F](#) [82-6532](#) [ETC1-1-10](#) [BD2130J5050A00](#) [BD2326L50200A00](#) [73386-0192](#) [73386-0103](#)