

5210 5270	DATA SHEET	
Valid from: 25.05.2018	SKINDICHT® SHV-M	

SKINDICHT® SHV-M is a water pressure-tight cable gland for extremely demanding applications. The special conical seal element is pulled through the entire gland and thus ensures excellent compression strength and strain relief.



Material:

Gland body	Brass, Nickel-plated
Pressure screw	Brass, Nickel-plated
Sealing cone	CR
Pressure cone	Brass, Nickel-plated
Pressure washer	Steel, zinc-plated
O-Ring	NBR

Technical features:

Connecting thread	M12x1,5 up to M32x1,5 acc. to EN 60423
Protection class	IP68 – 10bar, acc. to DIN EN 60529
Temperature range	-20°C up to +80°C

Additional features:

- Gentle cable clamping
- Robust

Approvals:



Reference Standards

DIN EN 62444

Suitable accessories:

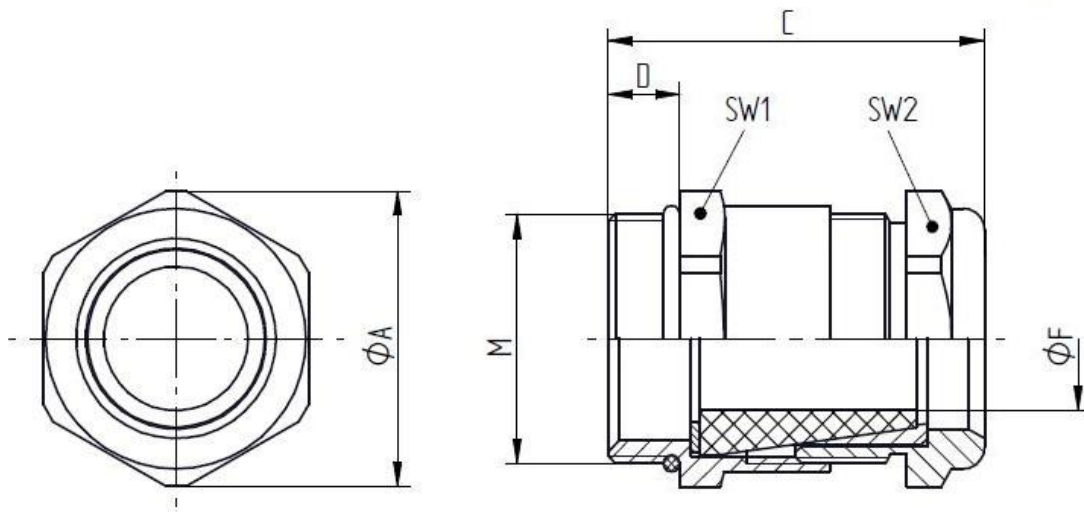
- SKINDICHT® SM-M
- SKINDICHT® SHV Pressure cone

For more information please see our current catalogue. Please do not hesitate to contact our laboratory if there are any questions regarding resistance against aggressive agents and special oil.

Creator: MAU1/PDP Released: DAMU1/PDP	Document: DB52105270EN Version: 02	Page 1 of 2
--	---------------------------------------	-------------

5210 5270	DATA SHEET	
Valid from: 25.05.2018	SKINDICHT® SHV-M	

Technical drawing:



Dimension table:

Thread M	SW1 [mm]	SW2 [mm]	Ø A [mm]	C max. [mm]	D [mm]	Clamping range Ø F [mm]	Part No.
M12x1,5	14	14	15,5	26,0	5,0	3 – 4,8	5210 5270
M16x1,5	18	17	18,9	26,5	5,0	4,5 – 5,8	5210 5280
M16x1,5	18	17	18,9	26,5	5,0	4,5 – 6,8	5210 5290
M20x1,5	22	20	24,4	31,0	6,0	4,5 – 6,8	5210 5300
M20x1,5	22	20	24,4	31,0	6,0	6,5 – 8,8	5210 5310
M20x1,5	22	22	24,4	32,5	6,0	6,5 – 8,8	5210 5320
M20x1,5	22	22	24,4	32,5	6,0	9 – 10,8	5210 5330
M20x1,5	24	24	24,4	34,5	6,0	9 – 10,8	5210 5340
M20x1,5	24	24	24,4	34,5	6,0	9,5 – 12,8	5210 5350
M20x1,5	24	24	24,4	34,5	6,0	13 – 14,8	5210 5360
M25x1,5	30	30	33,5	38,5	7,0	13,5 – 15,8	5210 5370
M25x1,5	30	30	33,5	38,5	7,0	15 – 17,8	5210 5380
M25x1,5	30	30	33,5	38,5	7,0	17,5 – 19,8	5210 5390
M32x1,5	40	40	43,5	42,5	8,0	17,5 – 21,8	5210 5400
M32x1,5	40	40	43,5	42,5	8,0	19 – 23,8	5210 5410
M32x1,5	40	40	43,5	42,5	8,0	23 – 25,8	5210 5420

Weitere Angaben entnehmen Sie bitte unserem aktuellen Katalog.

Bei Beständigkeitsfragen über aggressive Medien oder bestimmte Öle kann unser Labor Sie gerne beraten.

Creator: MAU1/PDP Released: DAMU1/PDP	Document: DB52105270EN Version: 02	Page 2 of 2
--	---------------------------------------	-------------

X-ON Electronics

Largest Supplier of Electrical and Electronic Components

Click to view similar products for [Cable Glands, Strain Reliefs & Cord Grips](#) category:

Click to view products by [Lapp Kabel](#) manufacturer:

Other Similar products are found below :

[DBZM-6828](#) [1498](#) [1.587.3400.71](#) [300623](#) [CD21NS-01](#) [5525](#) [35882](#) [M4340GAE](#) [NG-9516 Gasket](#) [52006157](#) [BM4963L](#) [53629556](#)
[53629570](#) [53629675](#) [52025230](#) [52015833](#) [52024853](#) [52103160](#) [52115810](#) [52115820](#) [52115830](#) [53017640](#) [53017810](#) [53019051](#) [53019071](#)
[53019081](#) [53019090](#) [53019091](#) [53019290](#) [53111457](#) [53111477](#) [53112055](#) [53112165](#) [53112270](#) [53112330](#) [53112360](#) [53112665](#) [53112689](#)
[53112690](#) [53112755](#) [53112775](#) [53112840](#) [53112860](#) [53112879](#) [53112886](#) [53112925](#) [53112926](#) [53119063](#) [54110844](#) [54110845](#)