


52103405	DATA SHEET	
Valid from: 24.11.2023	SKINDICHT® BL-M hexagonal	

The SKINDICHT® BL-M hexagonal brass blind plugs with metric thread for ensuring the unused threaded holes are closed and sealed, incl. O-Ring.



Components:

Body	Brass, nickel-plated Brass lead free, nickel-plated
O-Ring	NBR (On request VITON® O-Ring)

Technical features:


Connecting thread	M12x1,5 up to M63x1,5 acc. to EN 60423
Protection class	IP68 - 5bar, test acc. to EN 60529
Temperature range	-30 °C up to +100 °C

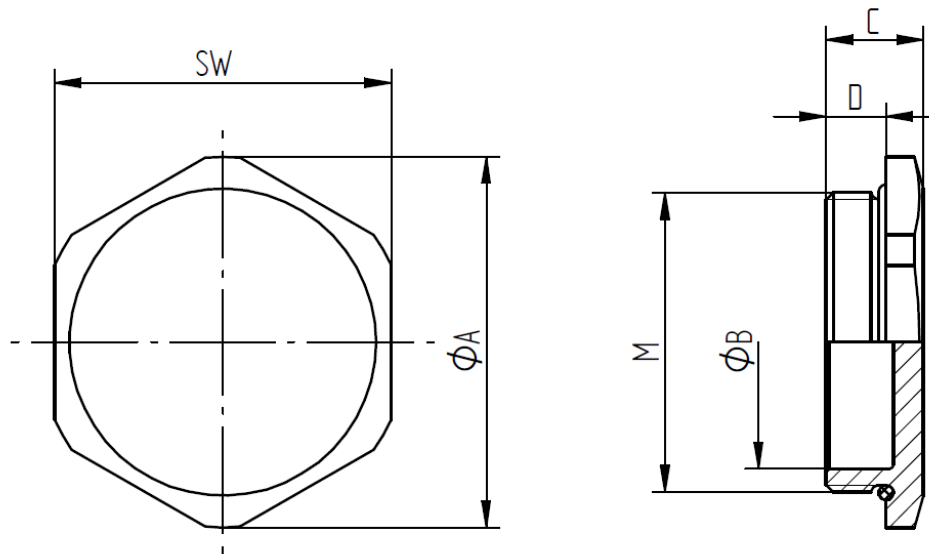
Norm references:



VITON® is a registered trademark of DuPont de Nemours.

Creator: T. Dvoulety /PDP Released: DAMU1/PDP	Document: DB52103405EN Version: 05	Page 1 of 2
--	---------------------------------------	-------------

52103405	DATA SHEET	
Valid from: 24.11.2023	SKINDICHT® BL-M hexagonal	



Thread M	SW [mm]	Ø A [mm]	Ø B [mm]	C [mm]	D [mm]	Article No.	
						Brass	Brass lead free
M12x1,5	16	17,8	8,2	8	5	52103405	52103405LF
M16x1,5	20	22	12,1	8	5	52103415	52103415LF
M20x1,5	24	26,4	16	9,5	6	52103425	52103425LF
M25x1,5	29	31,9	20	11	7	52103435	52103435LF
M32x1,5	36	39,6	26,2	12	8	52103445	52103445LF
M40x1,5	45	49,5	33,8	13	8	52103455	52103455LF
M50x1,5	54	59	42,2	15	9	52103465	52103465LF
M63x1,5	67	73,5	55	16	10	52103475	52103475LF

For more information please see our current catalogue. Please do not hesitate to contact our laboratory if there are any questions regarding resistance against aggressive agents and special oil.

Creator: T. Dvoulety /PDP Released: DAMU1/PDP	Document: DB52103405EN Version: 05	Page 2 of 2
--	---------------------------------------	-------------

X-ON Electronics

Largest Supplier of Electrical and Electronic Components

Click to view similar products for [Enclosures, Boxes & Cases](#) category:

Click to view products by [Lapp Kabel](#) manufacturer:

Other Similar products are found below :

[M-10-PLATED 60221-01](#) [M17-L-PLN 63310-01-000](#) [6711GSKT MDC-862-PLAIN-ALUM 83535-01-508](#) [90026-501-000](#) [1301280087](#)
[138-PLAIN 144011](#) [EAS-500 \(BLACK ANO\) 2062750000](#) [2697466](#) [1928952](#) [AKG 33 16 80 ME 2106-IR](#) [2792057](#) [2906241](#) [2906254](#)
[H5031](#) [M-10-LID-PLATED CU-284](#) [MDC-532-PLAIN-ALUM B137](#) [5400TN](#) [043853](#) [11416P](#) [KR8-315](#) [UM-SE-A73-R BK](#) [TUF 55 25](#)
[100 ME 332-907](#) [52213](#) [EKJB](#) [24560-245](#) [144012](#) [M18-L-PLTD](#) [73095-510-000](#) [CNM-0303 Black](#) [S3A-453213-S](#) [ALUG702RD040-IR](#)
[P/4.2](#) [PC 1919 13 G-2FSH](#) [PC 200/175 XHT](#) [PCM 125/100 T](#) [PRO11.5](#) [P33133313](#) [13700401](#) [13701001](#) [12741401](#) [13750801](#)