


52005590	<b>DATA SHEET</b>	
Valid from: 06.06.2023	<b>SKINDICHT® SHZ / SHZ-XL</b>	

The SKINDICHT® SHZ / SHZ-XL are a compact brass gland for stable strain relief with single cleat and centre section. Sealing is achieved by a recessed sealing ring and an O-ring fitted onto the connecting thread. This cable gland is particularly suitable for use in plugs, switches and control panels and is corrosion and seawater-resistant.

The SKINDICHT® SHZ-M-XL is constructed identically as SKINDICHT® SHZ-M, but with long connecting thread.



**Components:**

Gland body	Brass, nickel-plated
Pressure screw with single clamp	Brass, nickel-plated
Incised sealing ring	CR
Pressure washers	Steel, zinc-plated
O-ring	NBR

**Technical features:**


Connecting thread	PG7 up to PG48 acc. to DIN 40430
Protection class	IP55 acc. to EN 60529
Temperature range	-20 °C up to +80 °C

**Norm references:**

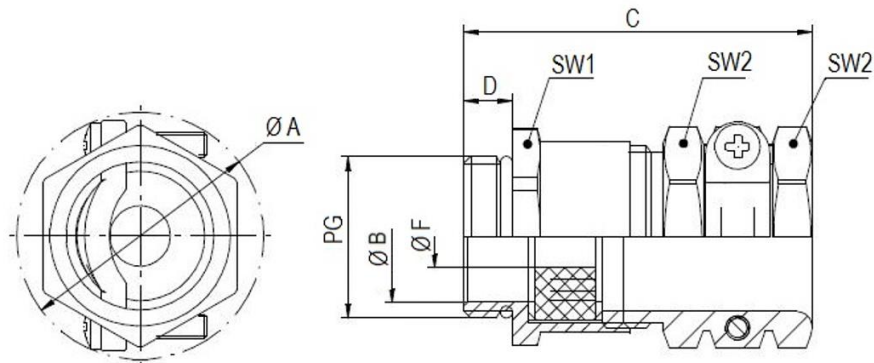


For more information please see our current catalogue. Please do not hesitate to contact our laboratory if there are any questions regarding resistance against aggressive agents and special oil.

Creator: FICE1 /PDP Released: VACH1/PDP	Document: DB52005590EN Version: 04	Page 1 of 2
--	---------------------------------------	-------------

52005590	<b>DATA SHEET</b>	
Valid from: 06.06.2023	<b>SKINDICHT® SHZ / SHZ-XL</b>	

**Product drawing:**



**Dimension tables:**

**SKINDICHT® SHZ**

PG	SW1 [mm]	SW2 [mm]	Ø A [mm]	C [mm] max.	D [mm]	Ø F [mm] incised sealing ring	Ø B [mm]	O-Ring [mm]	Article No.
PG7	14	15	24	30	5,0	5	8	10x1,5	52005590
PG9	17	17	28	34	6,0	5/8	10	13x1,5	52005600
PG11	20	20	30	35	6,0	7/10/12,5	12	16x1,5	52000930
PG13,5	22	22	34	40	6,5	7/10,5/13/16	14	18x1,5	52000940
PG16	24	24	36	42	6,5	8/10,5/13,5/16	16	20x1,5	52000950
PG21	30	30	46	47	7,0	11/15/18/20	21	26x2	52000960
PG29	40	41	59	53	8,0	18/23/27/31	30	34x2	52000970
PG36	50	50	73	61	9,0	24/28/31/35	38	44x2	52000980
PG42	57	57	79	66	10,0	30/35,5/39/42,5/46	43	50x2	52005610
PG48	64	64	87	68	10,0	36/40/44/47/50,5	48	55x2	52005620

**SKINDICHT® SHZ-XL**

PG	SW1 [mm]	SW2 [mm]	Ø A [mm]	C [mm] max.	D [mm]	Ø F [mm] incised sealing ring	Ø B [mm]	O-Ring [mm]	Article No.
PG7	14	15	24	40,0	15	5	8	10x1,5	52023716
PG9	17	17	28	43,0	15	5/8	10	13x1,5	52023717
PG11	20	20	30	44,0	15	7/10/12,5	12	16x1,5	52023718
PG13,5	22	22	34	48,5	15	7/10,5/13/16	14	18x1,5	52023719
PG16	24	24	36	50,5	15	8/10,5/13,5/16	16	20x1,5	52023720
PG21	30	30	46	55,0	15	11/15/18/20	21	26x2	52024840
PG29	40	41	59	60,0	15	18/23/27/31	30	34x2	52025530
PG36	50	50	73	67,0	15	24/28/31/35	38	44x2	52023721
PG42	57	57	79	71,0	15	30/35,5/39/42,5/46	43	50x2	52023722
PG48	64	64	87	73,0	15	36/40/44/47/50,5	48	55x2	52023723

## X-ON Electronics

Largest Supplier of Electrical and Electronic Components

*Click to view similar products for [Cable Glands, Strain Reliefs & Cord Grips](#) category:*

*Click to view products by [Lapp Kabel](#) manufacturer:*

Other Similar products are found below :

[DBZM-6828](#) [1498](#) [1.587.3400.71](#) [300623](#) [CD21NS-01](#) [5525](#) [35882](#) [M4340GAE](#) [NG-9516 Gasket](#) [52006157](#) [BM4963L](#) [53629556](#)  
[53629570](#) [53629675](#) [52025230](#) [52015833](#) [52024853](#) [52103160](#) [52115810](#) [52115820](#) [52115830](#) [53017640](#) [53017810](#) [53019051](#) [53019071](#)  
[53019081](#) [53019090](#) [53019091](#) [53019290](#) [53111457](#) [53111477](#) [53112055](#) [53112165](#) [53112270](#) [53112330](#) [53112360](#) [53112665](#) [53112689](#)  
[53112690](#) [53112755](#) [53112775](#) [53112840](#) [53112860](#) [53112879](#) [53112886](#) [53112925](#) [53112926](#) [53119063](#) [54110844](#) [54110845](#)