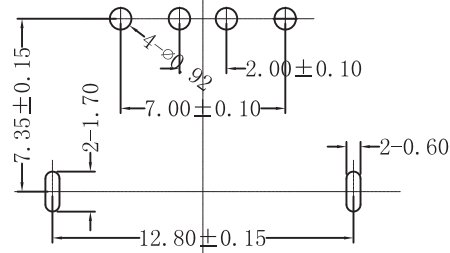
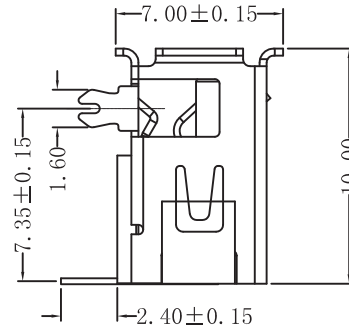
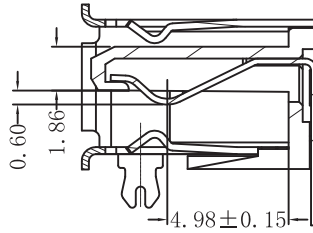
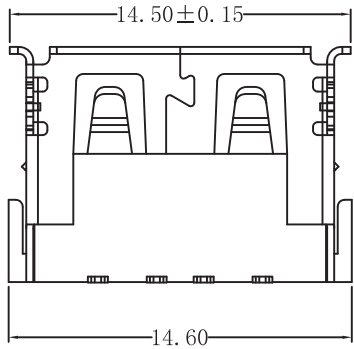
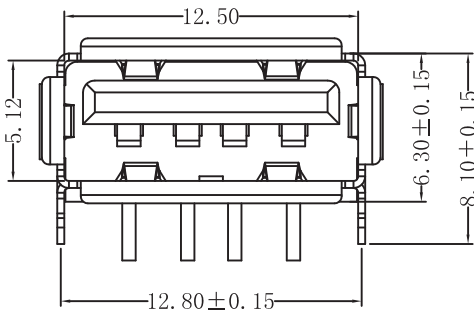


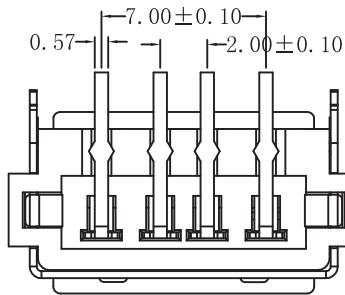
REV.	ECN NO	LTR	DESCRIPTION	REVISER	DATE



RECOMMENDED PCB LAYOUT

规格说明 (Specifications):

- 1.0 电气特性 (Electrical):
 - 1.1 额定电流 (Current Rating):
1.5A/Contact Terminal
 - 1.2 额定电压 (Voltage Rating):
30V DC
 - 1.3 接触阻抗 (Contact Resistance):
30 Milliohms Max
 - 1.4 耐电压 (Dielectric Withstanding Voltage):
500 V AC AT Sea Level
 - 1.5 绝缘阻抗 (Insulation Resistance):
1000MEGA Ohms Min
- 2.0 物理性能 (Mechanical):
 - 2.1 插拔力 (Connector Mate And Unmate Force):
Mating Force: 3.57kgf (Max)
Unmating Force: 1.02kgf (Min)
 - 2.2 端子保持力 (Terminal Retention):
1.2kgf (Min)
- 3.0 原材料 (Material):
 - 3.1 塑胶 (Housing):
High Temperature Thermoplastics
UL 94V-0 PBT/LCP White/Black
 - 3.2 端子 (Contact):
Copper Alloy C2680 T=0.20MM
 - 3.3 外壳 (Shell):
Copper/Ferro Alloy C2680/SPCC T=0.30MM
- 4.0 电镀 (Finish):
 - 4.1 端子 (Contact):
Plated Gold in Mating Area
Sn ≥ 100U" Ni ≥ 40U" Au = 1U" / 3U" / 5U" / ...
 - 4.2 外壳 (Shell):
Nickel Plating
12H (Cu ≥ 80U" Ni ≥ 60U")
24H (Cu ≥ 100U" Ni ≥ 80U")
48H (Cu ≥ 120U" Ni ≥ 100U")
...
- 5.0 Dimension marked must be controlled in QIP.



产品图 PRODUCT CHART DWG				深圳市金航标电子有限公司			WWW.BDS666.COM		
公差一览表 TOLERANCE UNLESS OTHERWISE				KH-AF90QC-10JB-H6.3			0755-83044319		
X.	±0.25	X.	±5.°	单位 UNITS	MM	制图 DRAWING	制图料号 PRODUCT PART NO.		
.X	±0.20	.X	±2.°	比例 SCALE	1:1	审核 CHKD	产品名称 PRODUCT NO.		
.XX	±0.15	.XX	±1.°	日期 DATE	2017.03.10	核准 APPD	角法 VIEW		版本 VER
.XXX	±0.10	.XXX	±0.5°						AO

A
B
C
D
E

1 2 3 4 5 6 7

X-ON Electronics

Largest Supplier of Electrical and Electronic Components

Click to view similar products for [USB Connectors](#) category:

Click to view products by [Kinghelm](#) manufacturer:

Other Similar products are found below :

[950](#) [MUSBD11135](#) [17-200721](#) [217450-1](#) [KMBVX-TH-5S-B30](#) [KUSBX-AS2N-W](#) [KUSBX-SMT2AP1S-W30](#) [935](#) [957](#) [30-498-6](#) [SK-60A-2](#)
[1734082-1](#) [30-470](#) [30-489](#) [30-541](#) [A-USB A-2P-C](#) [MIKROE-1451](#) [USBFTVSCCG](#) [1-1734084-2](#) [10135326-001LF](#) [4198](#) [USB-A-D-VT](#)
[USB-A-S-RA-TSMT](#) [1310-1023-02](#) [690-024-633-031](#) [UB-20PMFP-LC7001](#) [17-200011](#) [UB-20AFMM-LL7A01](#) [1040870124](#) [CAP-](#)
[WCCMLPB1](#) [CAP-WCCMLPC1](#) [2274475-3](#) [UB-20BMFA-SL8001](#) [914-614A2025S10200](#) [USB3FTV7SAGF059](#) [ZX40-B-5S-1500-](#)
[STDA\(30\)](#) [GSB3116344HR](#) [USB3FTV2SAZNF459](#) [USB3FTV7SAZNF459](#) [U221-041N-1WVS62-F5D](#) [HYCW153-USBD05-500B](#)
[HYCW219-USBD05-075B](#) [HYCW148-USBD05-117B](#) [HYCW149-USBD05-740B](#) [HYCW204-USBD05-108B](#) [HYCW214-USBA04-113B](#)
[HYCW213-USBA04-113B](#) [UB-20AMFM-SL7A01](#) [KMMX-BSMT35S-1-B30TR](#) [2345986-1](#)