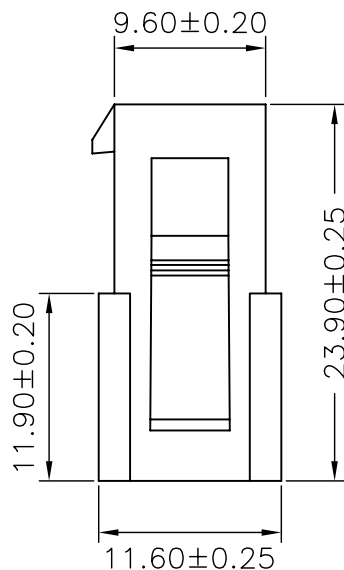
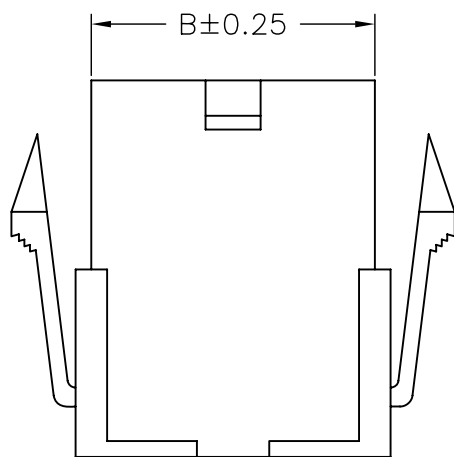


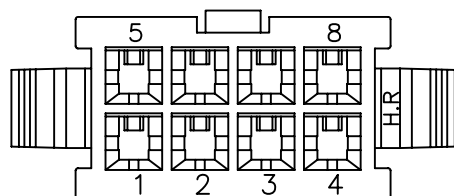
SPECIFICATIONS

Current Rating: 9A AC,DC
 Voltage Rating: 600V AC,DC
 Temperature Range: -25°C ~ +85°C
 Contact Resistance: 10mΩ Max
 Insulation Resistance: 1000MΩ Min
 Withstanding Voltage: 1500V AC/minute
 Material: Nylon 66,UL94V-2
 Color: Natural(Translucent)



Ordering Information & Dimensions

| PART NO. | Dimensions | |
|---------------|------------|-------|
| | A | B |
| C4255HM-2X01P | --- | 5.40 |
| C4255HM-2X02P | 4.20 | 9.60 |
| C4255HM-2X03P | 8.40 | 13.80 |
| C4255HM-2X04P | 12.60 | 18.00 |
| C4255HM-2X05P | 16.80 | 22.20 |
| C4255HM-2X06P | 21.00 | 26.40 |
| C4255HM-2X07P | 25.20 | 30.60 |
| C4255HM-2X08P | 29.40 | 34.80 |
| C4255HM-2X09P | 33.60 | 39.00 |
| C4255HM-2X10P | 37.80 | 43.20 |
| C4255HM-2X11P | 42.00 | 47.40 |
| C4255HM-2X12P | 46.20 | 51.60 |



| | | | |
|-------------------|-------------|-------------------------|--|
| | | | |
| UNIT | SCALE | SHEET | TITLE: |
| mm | | 1 of 1 | 4.20mm PITCH HOUSING-PLUG, MINI-FIT |
| DRAWN BY | APPROVED BY | | |
| 李勤 | 董正一 | | |
| 2006.06.07 | 2006.06.07 | | |
| GENERAL TOLERANCE | | | |
| A0 | NEW RELEASE | 2006.06.07 | |
| REV. | DESCRIPTION | DATE | |
| | | X.X±0.25 | ANGLE± |
| | | X.XX±0.15 | |
| | | X.XXX±0.05 | |
| | | DRAW NO. : C4255HM-2XNP | |
| | | REV. A0 | |

X-ON Electronics

Largest Supplier of Electrical and Electronic Components

Click to view similar products for [Headers & Wire Housings](#) category:

Click to view products by [Joint Tech](#) manufacturer:

Other Similar products are found below :

[0015917161](#) [0022155065](#) [57102-F02-18ULF](#) [58102-G61-06LF](#) [582553-1](#) [01.001.5753.1](#) [0050291907](#) [02.125.8002.8](#) [609-3404](#) [61062-3](#)
[CSU011177004](#) [622-0430](#) [622-3653LF](#) [63453-116](#) [636-1030](#) [636-1427](#) [636-3427](#) [636-4007](#) [641938-9](#) [65495-038](#) [65692-001LF](#) [65781-018](#)
[65781-047](#) [65817-010LF](#) [65817-015LF](#) [67095-007LF](#) [67601157](#) [68631-112](#) [68645-018](#) [699319-000](#) [70.362.1628.0](#) [70-4210](#) [70-4226B](#) [70-](#)
[4853B](#) [71.350.2428.0](#) [733-134](#) [733-162](#) [760-3052](#) [MHR-64-VUAL](#) [80.063.4001.1](#) [800-90-001-10-001000](#) [801-43-002-10-013000](#)
[801-43-006-10-002000](#) [803-43-024-10-001000](#) [803-93-012-10-001000](#) [8-1437020-4](#) [819-22-004-30-001101](#) [820-22-006-30-001101](#)
[820-22-008-30-001101](#) [821-22-002-10-001101](#)