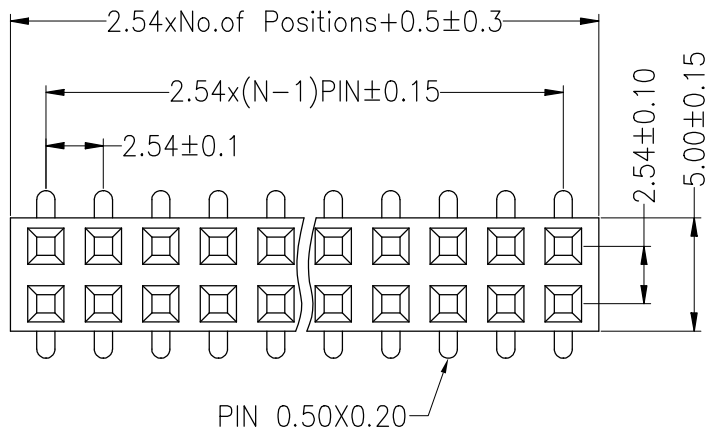




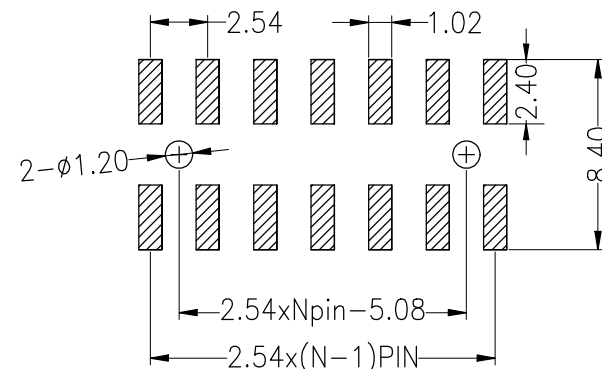
SPECIFICATIONS

Rated Current:3.0AMP
 Contact Resistance:20mΩ Max
 Withstand Voltage:1000V AC/DC
 Insulation Resistance:1000MΩ Min
 Operation Temperature:-40°C to +105°C

Contact Material:Brass
 Contact Plating:Au or Sn Over Ni
 Insulator Material:Polyester(UL94V-0)
 Resistance To Soldering Heat:
 260°C±5°C, 10s(PA6T&PA9T&LCP insulator)



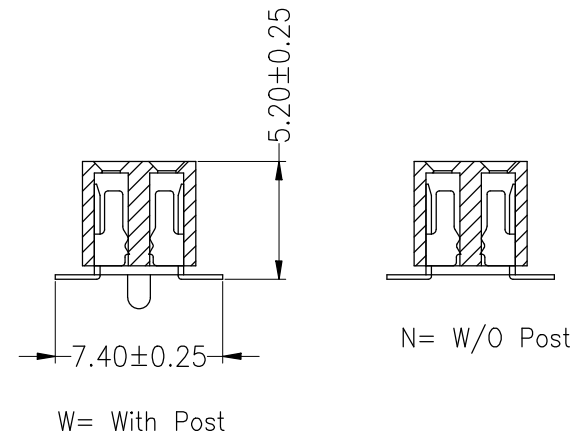
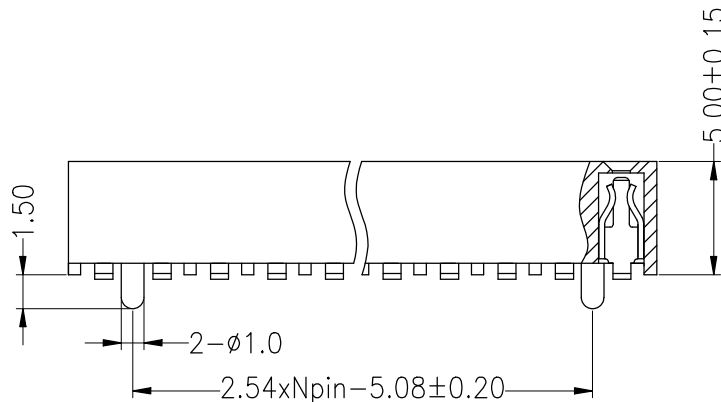
Recommended P.C.B Layout(Top Side)
 (PCB BOARD TOLERANCE±0.05)



Ordering Information

2250 02 XX X W XX M U X 0X

- No. of Pins Per Row 02~40P
- Insulator Material Option
 C=BK-PA6T
 E=BK-PA9T
 F=BK-LCP
- Contact Plating
 G1:Gold Flash
 G2:1.5u" Gold
 G3:2u" Gold
 G4:3u" Gold
 G5:5u" Gold
 G6:10u" Gold
 G7:15u" Gold
 G8:30u" Gold
 S0:Gold Flash/Tin
 SN:Tin
- Packing
 T=Tube
 P=Tube+Cap
 R=Reel+Cap
 M=Reel+Mylar



				OPERATION		DRAW	YiYuSheng	15.01.23	SCALE	FIT
				X.X	±0.30				UNIT	mm
				X.XX	±0.20	CHECK			SIZE	A4
				X.XXX	±0.10		SHEET	1/1		
A0	2015.01.23	NEW DRAWING		Angle	±3°	APPROVE			PART NO.	225002XXXXXXMUX0X
REV	DATE	MODIFICATION DESCRIPTION		DIM	TOL		PROJ.	☯	TITLE:	2.54PF H5.0mm 2xNpin SMT W7.40

JILN 深圳市锦凌电子有限公司
 SHENZHEN JINLING ELECTRONICS CO.,LTD

Tel: 86-755-27483253 Fax: 86-755-2997-5588

PART NO.	225002XXXXXXMUX0X
TITLE:	2.54PF H5.0mm 2xNpin SMT W7.40

X-ON Electronics

Largest Supplier of Electrical and Electronic Components

Click to view similar products for [Headers & Wire Housings](#) category:

Click to view products by [JILN](#) manufacturer:

Other Similar products are found below :

[892-18-020-10-001101](#) [0010894062](#) [0010977306](#) [0015477636](#) [0015917161](#) [0022104068](#) [0022121042](#) [0022155065](#) [0022281023](#) [57102-F02-18ULF](#) [PCN6B-10P-2.5DS](#) [58102-G61-06LF](#) [582553-1](#) [0015911208](#) [01.001.5753.1](#) [0022285048](#) [0050291907](#) [02.125.8002.8](#)
[CSU011177004](#) [622-0430](#) [63453-116](#) [636-1030](#) [636-1427](#) [636-3427](#) [636-4007](#) [641938-9](#) [65495-038](#) [65692-001LF](#) [65781-018](#) [65781-047](#)
[65817-010LF](#) [67095-007LF](#) [67601157](#) [68631-112](#) [68645-018](#) [699319-000](#) [70.362.1628.0](#) [70-4210](#) [70-4226B](#) [70-4853B](#) [707-5028](#)
[71.350.2428.0](#) [733-134](#) [733-162](#) [760-3052](#) [80.063.4001.1](#) [800-90-001-10-001000](#) [801-43-002-10-013000](#) [801-43-006-10-002000](#)
[803-43-024-10-001000](#)