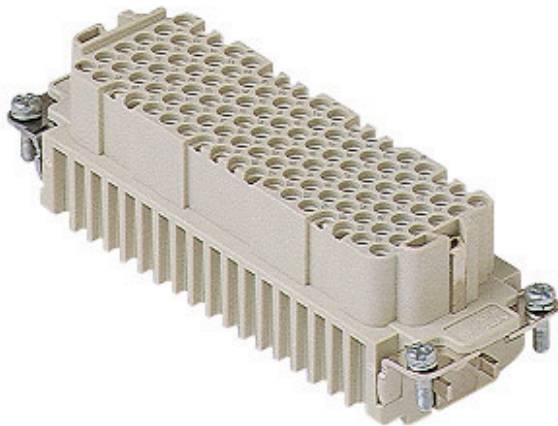



Item code

CDDF 108



Brief description:

female insert, 108 poles + PE, crimp connections, 10A, 250V, 4kV, 2, size "104.27", CLASS insert series

| Product description | |
|---|---|
| Model | female insert |
| Version | crimp connections |
| Series | CDD |
| Product type | for female contacts 10A |
| Family | CLASS inserts |
| Size | size "104.27" |
| N° of poles | 108 poles +  |
| Technical data | |
| Current | 10 A |
| Voltage | 250 V |
| Sustained impulse voltage | 4kV |
| Pollution degree | 2 |
| Operating temperature range (min, max) | -40°C ... +125°C |
| Plugging cycles | ≥ 500 |
| IP degree of protection | IP20 without enclosure; IP65/IP66/IP67/IP68 with enclosure |
| Connection type PE | Screw |
| Stripping length PE connection | 7 mm |
| Wire cross section PE | 0,14 - 4 mm ² ; AWG 20 - 12 |
| Tightening torque for PE connection (screwdriver) | M4: 1,2 Nm, 10,6 lb.in (Ph2 or 1,0x5,5mm) |
| Other technical details | |
| Characteristics according to EN61984 | 10A 250V 4kV 2 |
| Insulation resistance | ≥ 10 GΩ |
| Contact resistance | ≤ 3 mΩ |
| Rated voltage according to UL/CSA | 600V |
| UL 94 flammability rating | V-0 |
| Blade size for main contact | 6 - 8 mm |
| Tightening torque for fixing screws (screwdriver) | M3: 0.5 Nm; 4.4 lb.in (Ph1 or 0.8x4 mm) |
| Weight | 80,00 g |

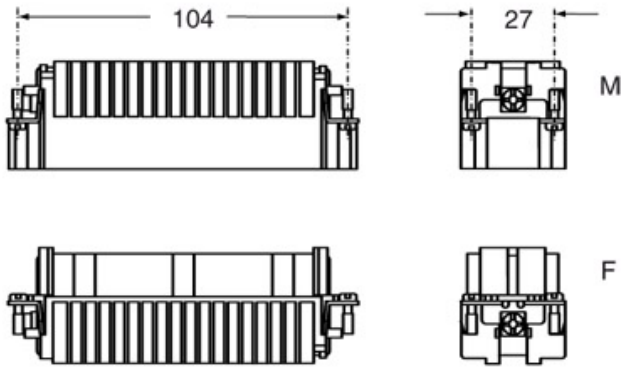
| Approvals / Standards | |
|------------------------------|---|
| Reference standard | EN 61984 (2001-11) |
| Quality mark |    , EAC |
| Conformity | CQC, CE |
| General ordering information | |
| EAN code | 8015747013598 |
| Tariff number | 85369095 |
| Country of origin | Made in EU (IT) |
| ETIM classification | EC000438 |
| Packaging Information | |
| Packaging length | 210,00 mm |
| Packaging height | 130,00 mm |
| Packaging width | 240,00 mm |
| Packaging weight | 2,37 kg |
| Packaging volume | 6,55 dm ³ |
| Packaging description | Carton box |
| Packaging quantity | 30 Pcs |
| Packaging EAN code | 8015747013604 |
| Sub-packaging weight | 0,40 kg |
| Sub-packaging description | Carton |
| Sub-packaging quantity | 5 Pcs |
| Sub-packaging EAN barcode | 8015747013611 |

Item code

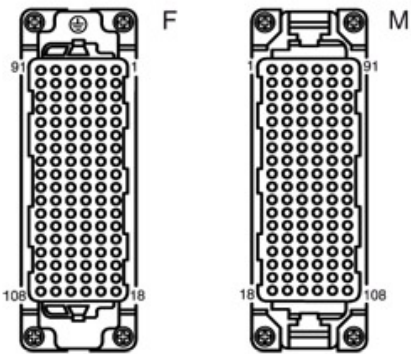
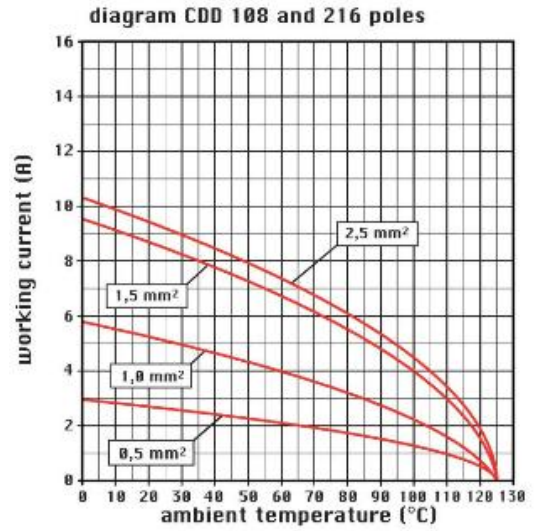
CDDF 108



Catalogue drawings



Catalogue drawings



X-ON Electronics

Largest Supplier of Electrical and Electronic Components

Click to view similar products for [Heavy Duty Power Connectors](#) category:

Click to view products by [ILME](#) manufacturer:

Other Similar products are found below :

[6646058-2](#) [6646137-1](#) [6646138-1](#) [6646940-1](#) [6651091-1](#) [6651525-1](#) [6651529-1](#) [696475-1](#) [702-32-01109](#) [73000005059](#) [73080254296](#)
[73080965046](#) [7310205040001](#) [765-15-0080A](#) [765-16-0080B](#) [765-18-0080D](#) [PS00/A0620/6300](#) [129-1J](#) [E6374G1](#) [157-43GW8](#) [MS3117-](#)
[14AC](#) [1643543-1](#) [1766966-1](#) [1791340000](#) [NLDFT-3-BL-L-S120-M40A](#) [NLDFT-N-W-L-C240-M40B](#) [1926015-1](#) [NLS-N-W-C240-M40B](#) [2-](#)
[1589900-8](#) [2199314-1](#) [KA8102](#) [9300480317](#) [294-0091-01100](#) [296-0040-01100](#) [1648582-1](#) [A32595-0049](#) [1766249-1](#) [1766280-1](#) [1766818-1](#)
[AN0264023](#) [279-0841-10100A](#) [30-9717](#) [RMSB4](#) [4729](#) [492H414-9-01](#) [BSB5](#) [419-2083-301](#) [LCDX4/0-14B-X](#) [075-8519-001](#) [078238-1613](#)