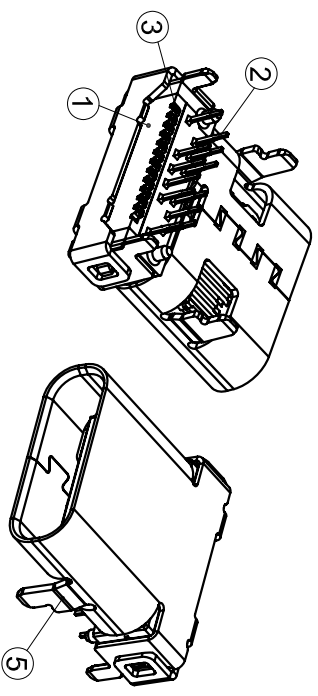
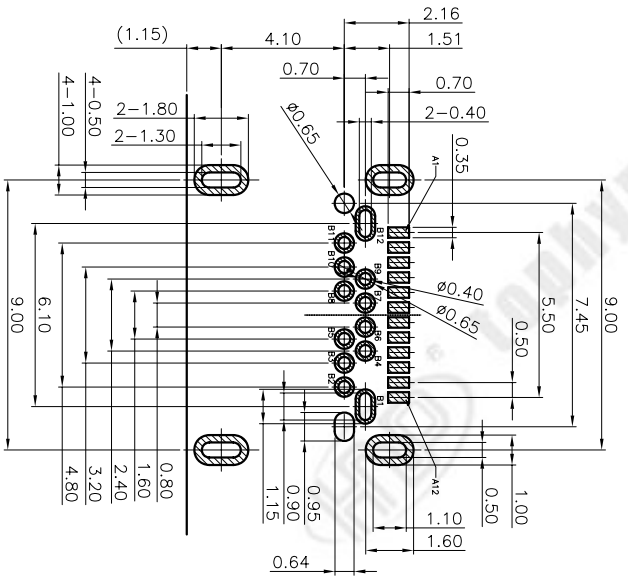


REV	ECN No.	DATE	REMARK
A	NEW	2021.05.23	NEW RELEASE

PART NO.: SEE THE PART NUMBER CODE		HON YUAN HON YUAN PRECISION IND. CO., LTD. SHENZHEN, CHINA, R.O.C.	
QUALITY SYMBOL ○ GENERAL TOLERANCES (UNLESS SPECIFIED) XXXXX ± 0.10 XXXX ± 0.25 XXX ± 0.30 ▲ ANGULAR		TITLE USB 3.1 C TYPE REC. TOP CONNECTOR SINGLE SHELL (CL=1.75 L=10.0mm)	
DWG. NO. TC020-24LB02R-C3		SHEET NO. 1 OF 2	
DIMENSION STYLE MM ONLY		DESIGN UNITS METRIC	
SCALE 1:1		APPROVED BY W.P. Lu	
DATE 2021.05.23		DATE 2021.05.23	
CHECKED BY S.L.LI		DATE 2021.05.23	
DRAWN BY K.DING		DATE 2021.05.23	

THIRD ANGLE PROJECTION

Frame size: A4



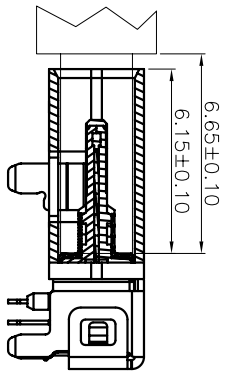
NOTE:

- Electrical Characteristics:
 - 1-1: Current Rating: 5A For Pin(A4,A9,B4,B9) 1.25A For Pin(B5) 0.25A For Others Pin
 - 1-2: VOLTAGE RATING:20V
 - 1-3: Insulation Resistance: 100MΩ Min.
 - 1-4: Contact Resistance: VBUS & GND PINS AND OTHER PINS: 40mΩ/PIN MAX. SHEILD:50mΩ/MAX.
 - 1-5: Dielectric Withstanding Voltage: 100V/AC 1minute
- Mechanical Characteristics:
 - Insertion Force: 5~20N
 - Extraction Force: Initial: 8~20N
 - After durability: 6~20N
 - Durability :10000 Cycles
 - Operating Temperature: -25°C TO +85°C
- Operating Temperature: -25°C TO +85°C
- MID PLATE, EMC PLATE, SHELL CONNECTED TOGETHER
- PART NUMBER CODE:(*为品料号)
 T020-24 X X XX B-C3
 (1) (2) (3) (4)

RECOMMEND P.C.B LAYOUT(COMPONENT SIDE)
 TOLERANCE FOR PCB LAYOUT IS ± 0.05
 KEEP OUT AREA

USB TYPE-C PIN ASSIGNMENTS

PIN NUMBER	SIGNAL NAME	PIN NUMBER	SIGNAL NAME
A1	GND	B12	GND
A2	SSTXp1	B11	SSRXp1
A3	SSTXn1	B10	SSRXn1
A4	VBUS	B9	VBUS
A5	CC1	B8	SBU2
A6	Dp1	B7	Dn2
A7	Dn1	B6	Dp2
A8	SBU1	B5	CC2
A9	VBUS	B4	VBUS
A10	SSRXn2	B3	SSTXn2
A11	SSRXp2	B2	SSTXp2
A12	GND	B1	GND



MATED CONDITION(REF.)

TYPE:

NO.	DESCRIPTION	MATERIAL	REMARKS	QTY
6	EMC PLATE	SUS301 T=0.10mm	CLEAR ONLY	2PCS
5	SHELL	SUS304 T=0.20mm	NICKEL 30U" MIN PLATING	1PCS
4	SHIELDING PLATE	SUS301 T=0.15mm	CLEAR ONLY	1PCS
3	SWIT CONTACT	C18150-H T=0.12mm	TO 50% MIN. TUBER MATTER OVER ALL PLATED ON THE FUNCTIONAL AREA OF CONTACT.	1SET
2	DIP CONTACT	C18150-H T=0.12mm	TO 50% MIN. TUBER MATTER OVER ALL PLATED ON THE FUNCTIONAL AREA OF CONTACT.	1SET
1	HOUSING	LCP UL94V-0	BLACK	1PCS

PART NO.: **HON YUAN**
 SEE THE PART NUMBER CODE
 HON YUAN PRECISION IND. CO., LTD.
 SHENZHEN, CHINA, R.O.C.

QUALITY SYMBOL	GENERAL TOLERANCES (UNLESS SPECIFIED)	TITLE	DIMENSION STYLE	DESIGN UNITS	SHEET NO.	CHECKED BY	DATE
	XXXXXX ± 0.10 XXXXX ± 0.25 XXX ± 0.30 ANGULAR ± --°	USB 3.1 C TYPE REC. TOP CONNECTOR SINGLE SHELL (QL=1.75 L=10.0mm)	MM ONLY	MM ONLY	2 OF 2	S.L.LI	2021.05.23
		T020-24LB02R-C3		METRIC	SCALE 1:1	W.P.LU	2021.05.23

DRAWN BY: K.DING DATE: 2021.05.23
 CHECKED BY: S.L.LI DATE: 2021.05.23
 APPROVED BY: W.P.LU DATE: 2021.05.23
 THIRD ANGLE PROJECTION
 Frame size: A4

X-ON Electronics

Largest Supplier of Electrical and Electronic Components

Click to view similar products for [USB Connectors](#) category:

Click to view products by [HYP](#) manufacturer:

Other Similar products are found below :

[950](#) [MUSBD11135](#) [17-200721](#) [217450-1](#) [KMBVX-TH-5S-B30](#) [KUSBX-AS2N-W](#) [KUSBX-SMT2AP1S-W30](#) [935](#) [957](#) [30-498-6](#) [SK-60A-2](#)
[1734082-1](#) [30-470](#) [30-489](#) [30-541](#) [A-USB A-2P-C](#) [MIKROE-1451](#) [USBFTVSCCG](#) [1-1734084-2](#) [10135326-001LF](#) [4198](#) [USB-A-D-VT](#)
[USB-A-S-RA-TSMT](#) [1310-1023-02](#) [690-024-633-031](#) [UB-20PMFP-LC7001](#) [17-200011](#) [UB-20AFMM-LL7A01](#) [1040870124](#) [CAP-](#)
[WCCMLPB1](#) [CAP-WCCMLPC1](#) [2274475-3](#) [UB-20BMFA-SL8001](#) [914-614A2025S10200](#) [USB3FTV7SAGF059](#) [ZX40-B-5S-1500-](#)
[STDA\(30\)](#) [GSB3116344HR](#) [USB3FTV2SAZNF459](#) [USB3FTV7SAZNF459](#) [U221-041N-1WVS62-F5D](#) [HYCW153-USBD05-500B](#)
[HYCW219-USBD05-075B](#) [HYCW148-USBD05-117B](#) [HYCW149-USBD05-740B](#) [HYCW204-USBD05-108B](#) [HYCW214-USBA04-113B](#)
[HYCW213-USBA04-113B](#) [UB-20AMFM-SL7A01](#) [KMMX-BSMT35S-1-B30TR](#) [2345986-1](#)