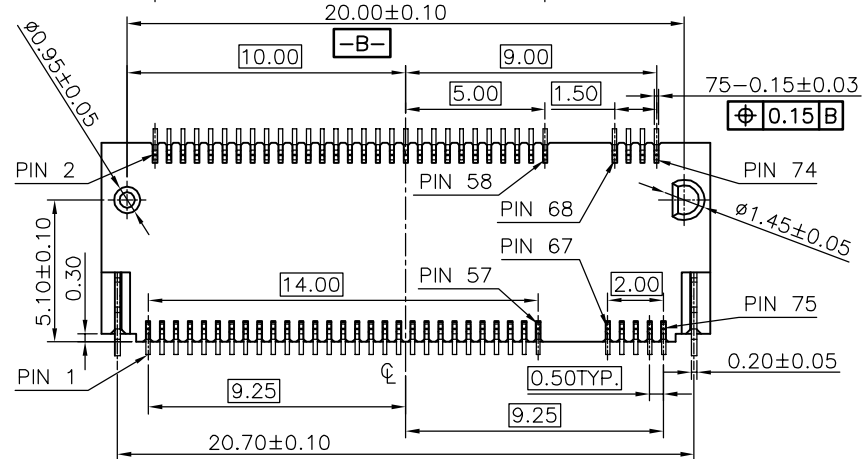
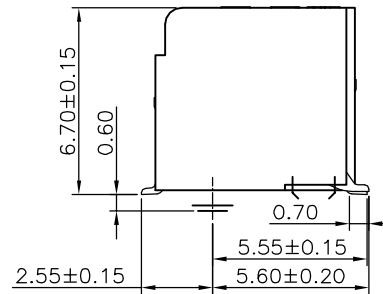
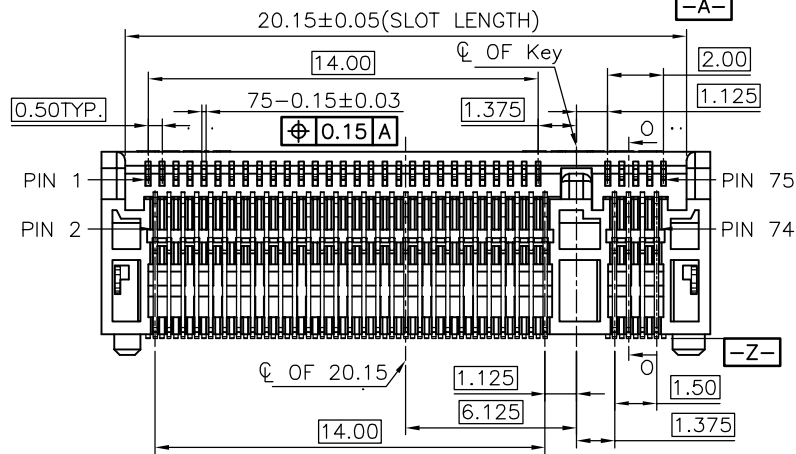


SEE SECTION O-O



Notes:

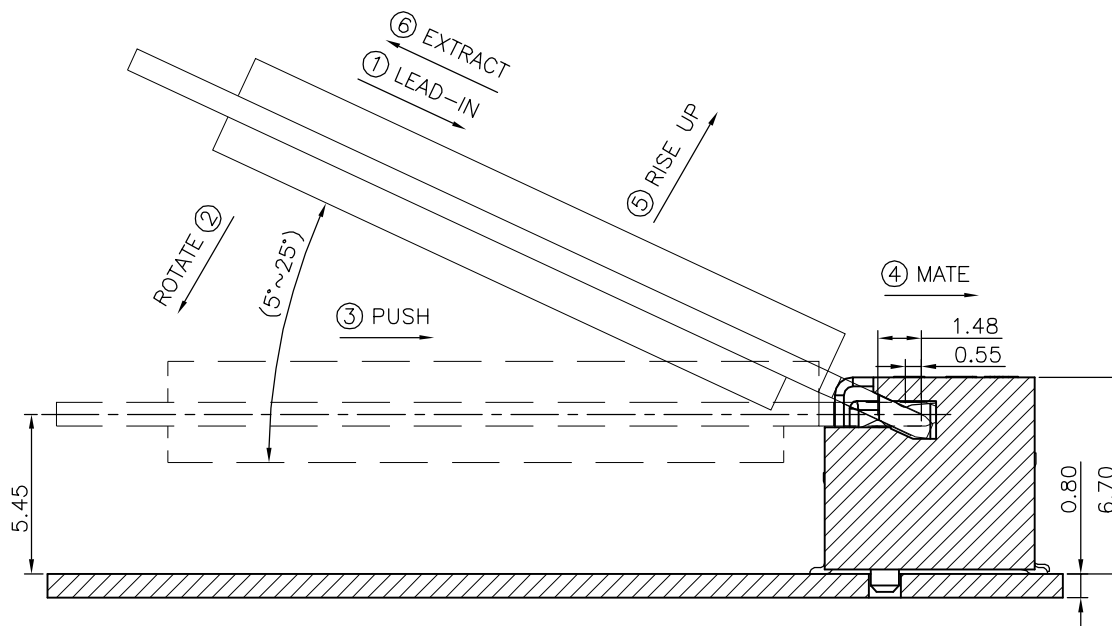
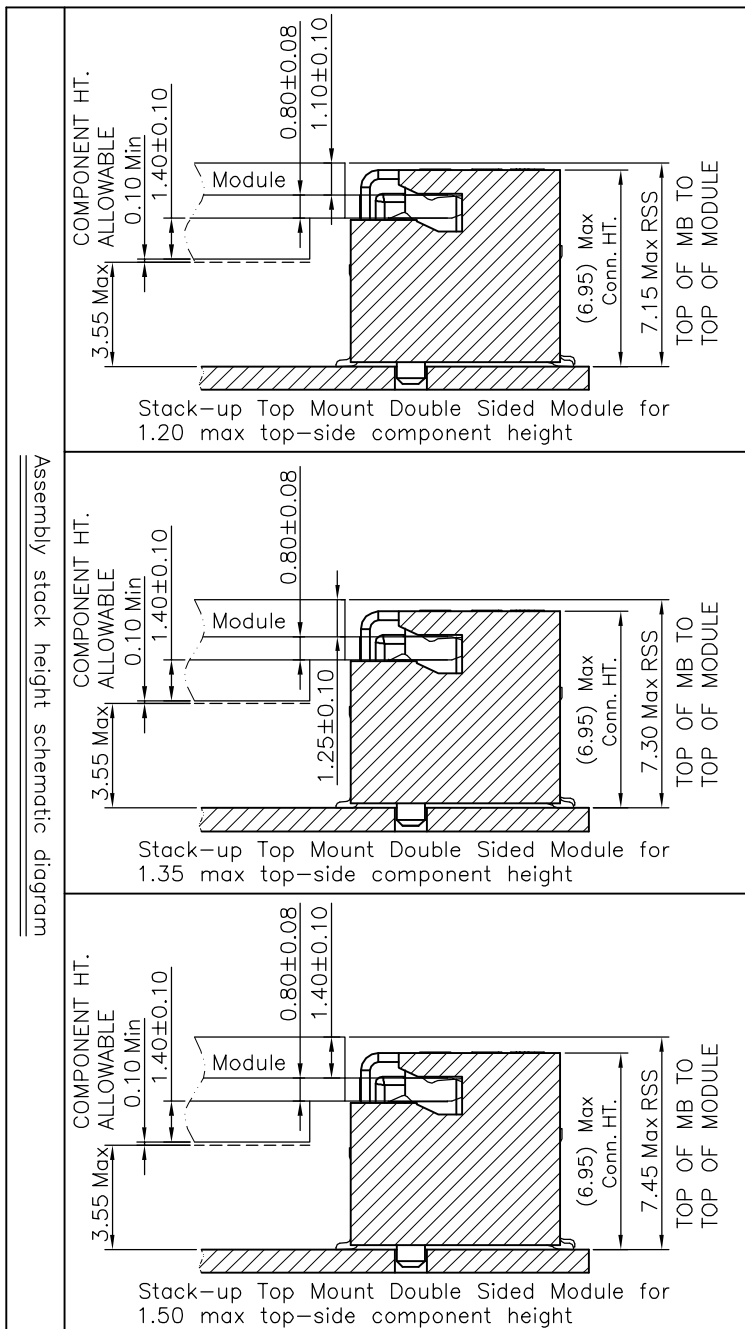
1. MATERIAL SPECIFICATION:
  - 1.1. HOUSING:LCP+40%GF,UL94V-0,COLOR:BLACK.
  - 1.2. CONTACT:COPPER ALLOY.
  - 1.3. PEG:STEEL.
2. PLATING SPECIFICATION:
  - 2.1. CONTACT:50u" MIN. NICKEL UNDER PLATING OVER ALL. G/F PLATING ON SOLDER AREA. GOLD PLATING ON CONTACT AREA:SEE TABLE
  - 2.2. PEG:50u" MIN. NICKEL UNDER PLATING OVER ALL. 80u" MIN. MATTE TIN PLATING ON SOLDER AREA.
3. HF COMPLIANT, RoHS COMPLIANT.
4. DATE CODE: XX XX XX  
 DAY  
 WEEK  
 YEAR
5. MECHANICAL PERFORMANCE:
  - 5.1. DURABILITY: SEE TABLE
6. ELECTRICAL PERFORMANCE:
  - 6.1. CURRENT: 0.5A PER PIN.
  - 6.2. LLCR: INITIAL 55mΩ MAX.;FINAL ΔLLCR=20mΩ MAX.
7. IR REFLOW:
 

THE TEMPERATURE SHALL BE 260±5°C MAINTAINING 10±1 SECONDS.
8. OPERATING TEMPERATURE : -40° C TO +85° C.



深圳市华宇创精密电子有限公司

TOLERANCE: X.X ±0.30 X.XX ±0.25 X.XXX ±0.15 X' ±2' X.X' ±0.5'	DRAWN BY : 陈一鸣	DATE : 2014-02-23	PART NAME: 0.5MM PITCH M.2 H6.7 (KEY M)
	CHECKED BY: 马跃	DATE : 2014-02-23	PART NO. HYCW23M-05NGFF-670B
UNIT: mm [inch] SCALE:1:1 SIZE: A4	APPROVED BY: 柯南	DATE : 2014-02-23	DRAW NO: HYC-1920011328
			SHEET NO. 1 OF 1


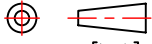


HOW TO MATE AND EXTRACT

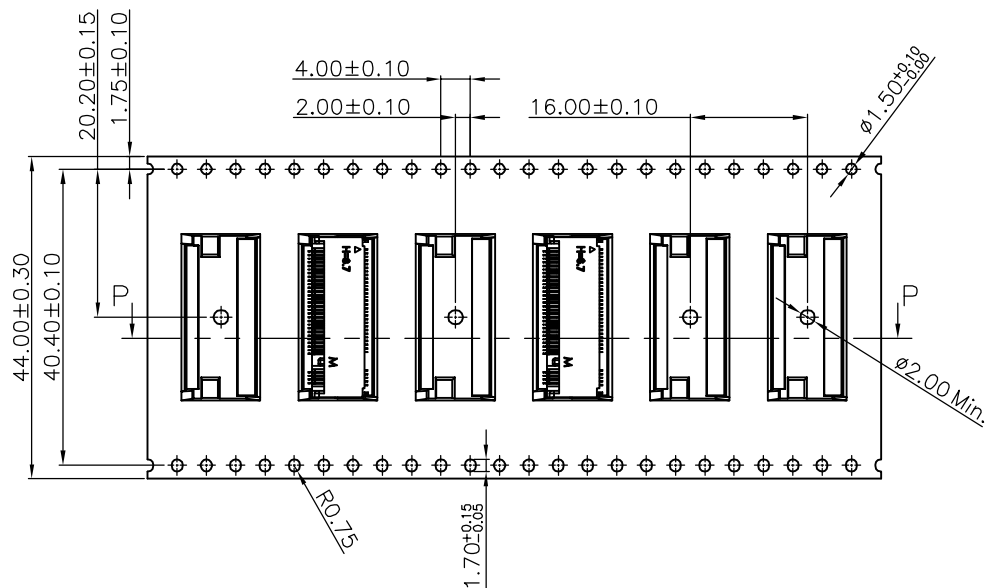
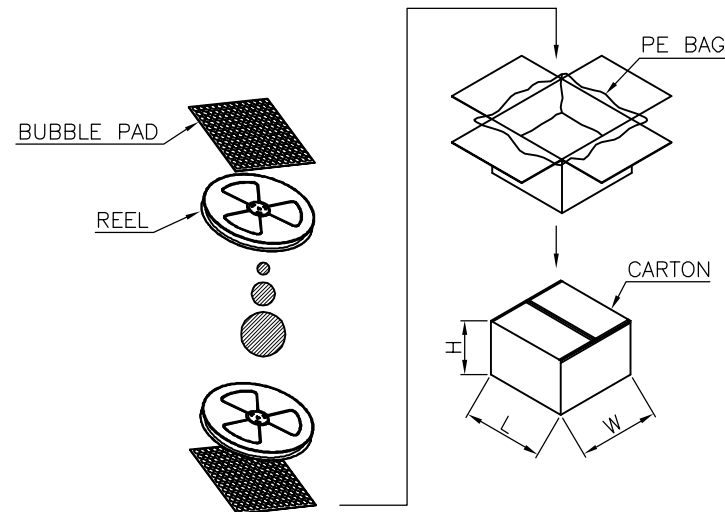
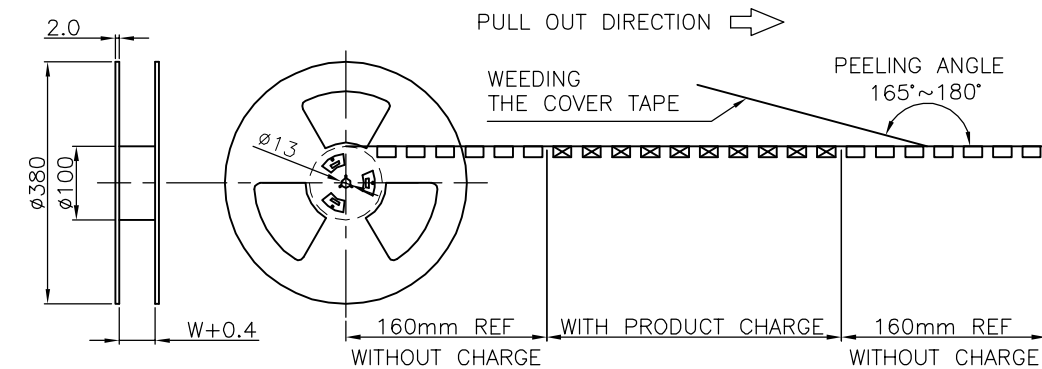
MATE: ① → ④

EXTRACT: ⑤ → ⑥

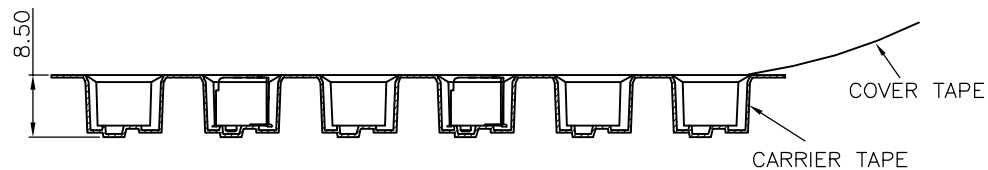
NOTE: Mating force will generate from step 3 to step 4.

 <b>深圳市华宇创精密电子有限公司</b>			
<b>TOLERANCE:</b> X.X ±0.30 X.XX ±0.25 X.XXX ±0.15 X.' ±2' X.X' ±0.5'	<b>DRAWN BY :</b> 陈一鸣	<b>DATE :</b> 2014-02-23	<b>PART NAME:</b> 0.5MM PITCH M.2 H6.7 (KEY M)
	<b>CHECKED BY:</b> 马跃	<b>DATE :</b> 2014-02-23	<b>PART NO.</b> HYCW23M-05NGFF-670B
 <b>UNIT: mm [inch]</b> <b>SCALE:1:1 SIZE: A4</b>	<b>APPROVED BY:</b> 柯南	<b>DATE :</b> 2014-02-23	<b>DRAW NO:</b> HYC-1920011328
			<b>SHEET NO.</b> 1 OF 1





PULL OUT DIRECTION →



SECTION P-P

700	4200
PCS/REEL	PCS/CARTON

**深圳市华宇创精密电子有限公司**

<b>TOLERANCE:</b> X.X ±0.30 X.XX ±0.25 X.XXX ±0.15 X' ±2' X.X' ±0.5'	<b>DRAWN BY :</b> 陈一鸣	<b>DATE :</b> 2014-02-23	<b>PART NAME:</b> 包装图		
	<b>CHECKED BY:</b> 马跃	<b>DATE :</b> 2014-02-23	<b>PART NO.</b>		
<b>UNIT: mm [inch]</b> <b>SCALE:1:1 SIZE: A4</b>	<b>APPROVED BY:</b> 柯南	<b>DATE :</b> 2014-02-23	<b>MOLD NO.</b>		
			<b>DRAW NO:</b>		
			<b>SHEET NO.</b>	1 OF 1	

## X-ON Electronics

Largest Supplier of Electrical and Electronic Components

*Click to view similar products for [I/O Connectors](#) category:*

*Click to view products by [HOAUC](#) manufacturer:*

Other Similar products are found below :

[571763P](#) [59811-0000](#) [67-06P12-60SX](#) [D20419-211](#) [75-107636-15G](#) [PCR-E20LMD-SL+](#) [PCR-E36PM](#) [PCS-XE26LKA](#) [G38A71314B](#)  
[1571250010](#) [157-22500-3](#) [B1005A1-001-N](#) [192991-0703](#) [FCN-260C024-AL0](#) [2000314-1](#) [200331-1](#) [PCS-E28FS+](#) [PCS-XE26SLFDT+](#)  
[G730VID08BDC24](#) [HDR-E14MSG1+](#) [54182-0605](#) [38113800006](#) [DP3AR020WQ1R200](#) [DRA-26PC-F0R](#) [Z4.102.0680.0](#) [500-1040](#) [ZP-](#)  
[4008-66L](#) [0760665001](#) [5554841-1](#) [0756405005](#) [10099439-003C-TRLF](#) [226-0348-000](#) [10137239-0011LF](#) [70.060.1028.0](#) [109029-ZZ](#) [GT1-](#)  
[DA04CST](#) [231-303](#) [FCN-260C024-C/S3](#) [FCN-261R024-G/5L](#) [FCN-260C024-A/S3](#) [10148298-101LF](#) [10148112-101LF](#) [B7B-ZR](#) [1-1888321-](#)  
[2](#) [1-1888321-3](#) [UPFS-4M08-00C6](#) [10137846-0010LF](#) [52370-2670](#) [171224-1013](#) [10031567-001C-TRLF](#)