

RoHS Compliant

SPECIFICATIONS:

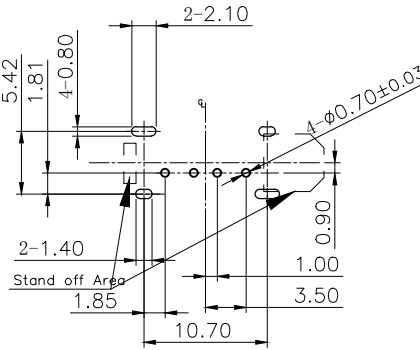
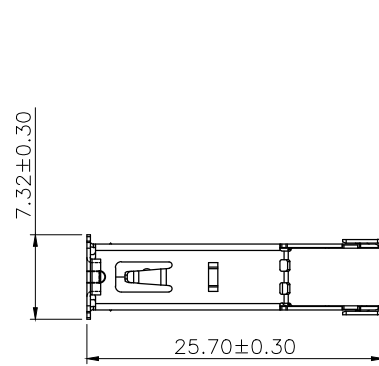
Contact current Rating:
 1.8 Amperes for pin1&pin4.
 0.25 Amperes other contacts
 Dielectric Withstanding Voltage:AC 100V(RMS)
 Insulation resistance:100Megohms Minimum.
 Contact Resistance:
 30mΩ Max for pin1&pin4
 50mΩMax for other contacts
 Mechanical Characteristics:
 Mating Force:35 Newtons.Maximum
 Unmating Force:10 Newtons.Minimum.
 8N Min After Durability

MATERIAL:

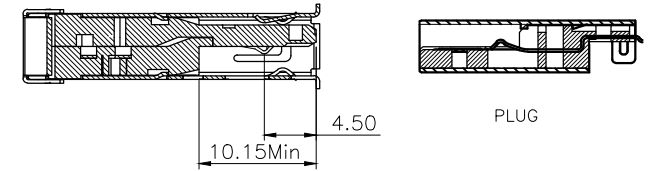
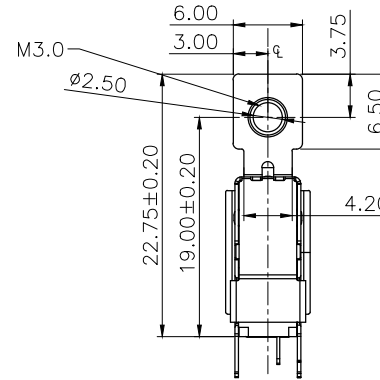
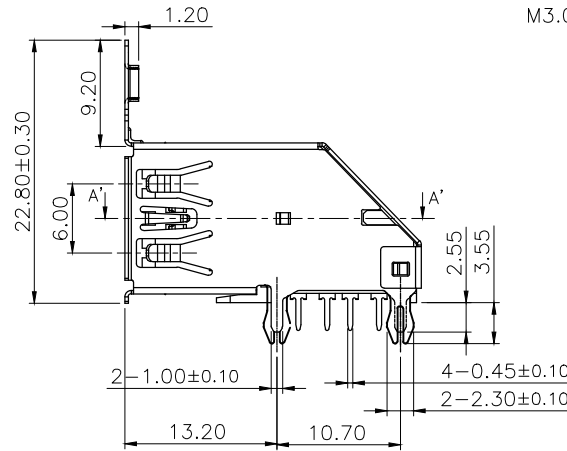
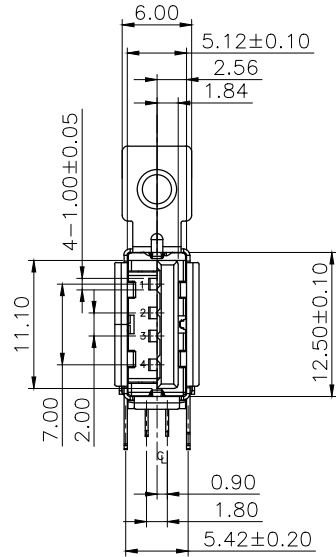
Housing: LCP+30%GF 94V-0 COLOR:BLACK
 Contact: copper alloy(T=0.25mm)
 Shell: Stainless Steel

PLATING:

Contact: 1u" Gold Plated on Contact Area,
 80u" Min.Matte Tin Plated on Solder Tails Area,
 50u" Min.Nickel Underplating Over All.
 Shell: 50u" Min.Nickel Underplating Over All.
 operating Temperature:-55°to+85°



PCB LAYOUT (TOP VIEW)
RECOMMENDED PCB LAYOUT(TOP VIEW)
 GENERAL TOLERANCES:±0.05

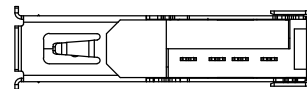


FEMALE

SECTION A-A'

ITEM	PART NAME	Material	Q'TY	REMARK
1	4P Semi-	Housing LCP	1	Black UL94V-0
2	manufactured Goods	Contact COPPER ALLOY	4	T=0.25 Plating Gld/Tin
3	5P Semi-	Housing LCP	1	Black UL94V-0
4	manufactured Goods			
5	Shell	SUS304-1/2H	1	T=0.3

Pin Number	Signal Name
1	VBUS
2	D-
3	D+
4	GND
Shell	Shield



單位	mm	*: Inspection Item		HJ-Tech 东莞市皇捷通讯科技有限公司	
比例	1:1	©:Op/Cpk and SPC Control Item		手机: 15015262131 手机: 13714786106	
張數	1/1	TOLERANCE UNLESS OTHERWISE SPECIFIED		圖號	2LS00S0022
製圖	XCL	.X±0.30	.X'±4'	名稱	USB 2.0 AF 90° 側插
版本	NEW ISSUE	.XX±0.25	.X'±2'	圖號	
REV.	MODIFICATION	.XXX±0.20	.XX±	角法	客戶圖
	日期	修改	核准	PROJ.	
	DATE	DRAW	APPROVE		
		CHECKED			

X-ON Electronics

Largest Supplier of Electrical and Electronic Components

Click to view similar products for [USB Connectors](#) category:

Click to view products by [HJ Tech](#) manufacturer:

Other Similar products are found below :

[950](#) [MUSBD11135](#) [17-200721](#) [217450-1](#) [KMBVX-TH-5S-B30](#) [KUSBX-AS2N-W](#) [KUSBX-SMT2AP1S-W30](#) [935](#) [957](#) [30-498-6](#) [SK-60A-2](#)
[1734082-1](#) [30-470](#) [30-489](#) [30-541](#) [A-USB A-2P-C](#) [MIKROE-1451](#) [USBFTVSCCG](#) [1-1734084-2](#) [10135326-001LF](#) [4198](#) [USB-A-D-VT](#)
[USB-A-S-RA-TSMT](#) [1310-1023-02](#) [690-024-633-031](#) [UB-20PMFP-LC7001](#) [17-200011](#) [UB-20AFMM-LL7A01](#) [1040870124](#) [CAP-](#)
[WCCMLPB1](#) [CAP-WCCMLPC1](#) [2274475-3](#) [UB-20BMFA-SL8001](#) [914-614A2025S10200](#) [USB3FTV7SAGF059](#) [ZX40-B-5S-1500-](#)
[STDA\(30\)](#) [GSB3116344HR](#) [USB3FTV2SAZNF459](#) [USB3FTV7SAZNF459](#) [U221-041N-1WVS62-F5D](#) [HYCW153-USBD05-500B](#)
[HYCW219-USBD05-075B](#) [HYCW148-USBD05-117B](#) [HYCW149-USBD05-740B](#) [HYCW204-USBD05-108B](#) [HYCW214-USBA04-113B](#)
[HYCW213-USBA04-113B](#) [UB-20AMFM-SL7A01](#) [KMMX-BSMT35S-1-B30TR](#) [2345986-1](#)