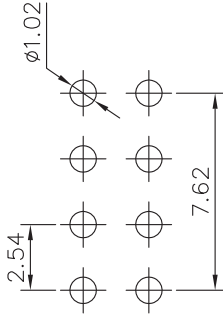
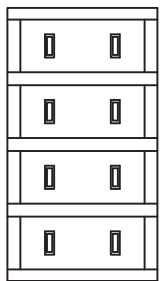
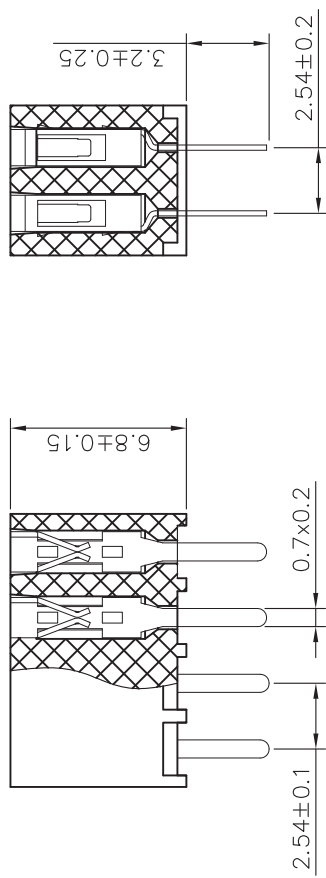


SPECIFICATIONS

Current Rating: 3 Amps
 Insulation Resistance: 1000MΩ Min
 Contact Resistance: 20mΩ Max
 Withstanding Voltage: AC 1000V
 Operation Temperature: -40° to +105°
 Contact Material: Brass
 Insulator Material: Polyester (UL 94V-0) PA6T
 Standard:
 Max. Processing Temp: 200° C for 30-60seconds
 (220° C for 10seconds)



RECOMMEND P. C. B LAYOUT
 PCB TOLERANCE: ±0.05 (TOP VIEW)



HJ-2.54-FH-2-XX-68-S-32-58-G0-U-B

- (1) Pin Spacing: 254=2.54mm
- (2) Product Name: FH=Female Header
- (3) No. of Rows: 1=Single Row ; 2=Dual Row
- (4) No. of Pins Per Row: 1~40
- (5) Insulator Material Height: 50=5.0mm; 85=8.5mm
- (6) Connector Type: S=Straight; R=Right Angle; M=SMT
- (7) Connector Material Length: 30=3.0mm; 32=3.2mm
- (8) Insulator Material Width: 50=5.0mm; 55=5.5mm
- (9) Contact Plating: G0=Gold Flash; AU15=Au 1.5u"
- (10) Connector Material Type: U=U Type; Y=Y Type
- (11) Insulator Material Option:
 A=BK-PBT; B=BK-PA6T; C=BK-PA46; D=KB-LCP; S=Special

No. of	DIM. A	DIM. B	No. of	DIM. A	DIM. B	No. of	DIM. A	DIM. B
1	0.00	2.54	11	25.40	27.94	21	50.80	53.34
2	2.54	5.08	12	27.94	30.48	22	53.34	55.88
3	5.08	7.62	13	30.48	33.02	23	55.88	58.42
4	7.62	10.16	14	33.02	35.56	24	58.42	60.96
5	10.16	12.70	15	35.56	38.10	25	60.96	63.50
6	12.70	15.24	16	38.10	40.64	26	63.50	66.04
7	15.24	17.78	17	40.64	43.18	27	66.04	68.58
8	17.78	20.32	18	43.18	45.72	28	68.58	71.12
9	20.32	22.86	19	45.72	48.26	29	71.12	73.66
10	22.86	25.40	20	48.26	50.80	30	73.66	76.20

HJ-Tech 东莞市皇捷通讯科技有限公司
 DONGGUAN HUANGJIE COMMUNICATION TECHNOLOGY CO., LTD.

UNLESS OTHERWISE SPECIFIED TOLERANCE		DRAWN NAME:	
X : ±0.3	X° : ±5°	2.54FH 2x4PIN 6.8塑高 180° PC3.2 塑宽 5.8 镀金 Y型 PA6T	
X.X : ±0.2	X.X° : ±1°	SIZE	A4
X.XX : ±0.1	X.XX° : ±0.5°	SCALE	N:1
CHECKED: LU JING NUAN 2020/03/25		UNIT	mm
		PROJECT	17-0039-002
		APPROVED:	
		PAGE	1/1

X-ON Electronics

Largest Supplier of Electrical and Electronic Components

Click to view similar products for [Headers & Wire Housings](#) category:

Click to view products by [HJ Tech](#) manufacturer:

Other Similar products are found below :

[57102-F02-18ULF](#) [58102-G61-06LF](#) [582553-1](#) [009176003701906](#) [01.001.5753.1](#) [0050291907](#) [02.125.8002.8](#) [609-3404](#) [61062-3](#)
[CSU011177004](#) [622-0430](#) [622-3653LF](#) [63453-116](#) [636-1030](#) [636-1427](#) [636-3427](#) [636-4007](#) [641938-9](#) [644827-2](#) [65495-038](#) [65692-001LF](#)
[65781-018](#) [65781-047](#) [65817-010LF](#) [65817-015LF](#) [66207-023LF](#) [67095-007LF](#) [67601157](#) [68631-112](#) [68645-018](#) [699319-000](#)
[M90C108951C](#) [70.362.1628.0](#) [70-4210](#) [70-4226B](#) [70-4853B](#) [707-5028](#) [71.350.2428.0](#) [71961-016LF](#) [733-134](#) [733-162](#) [754199-000](#) [760-](#)
[3052](#) [80.063.4001.1](#) [800-90-001-10-001000](#) [800-90-010-10-002000](#) [801-43-002-10-013000](#) [801-43-006-10-002000](#) [803-41-018-10-001000](#)
[803-43-024-10-001000](#)