

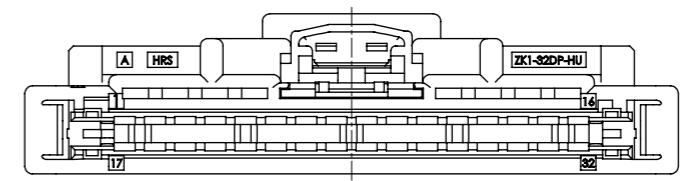
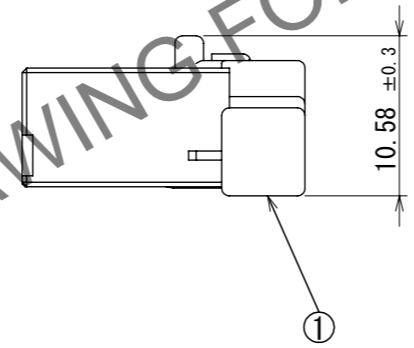
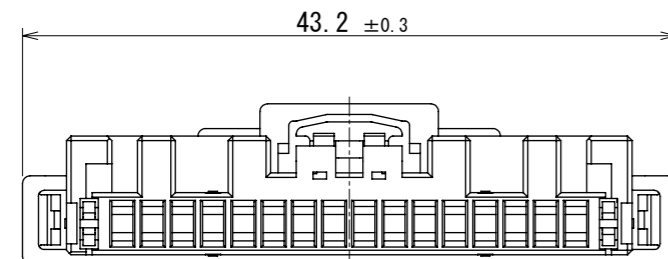
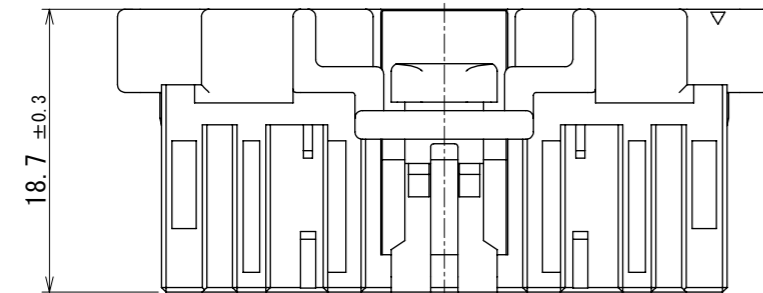
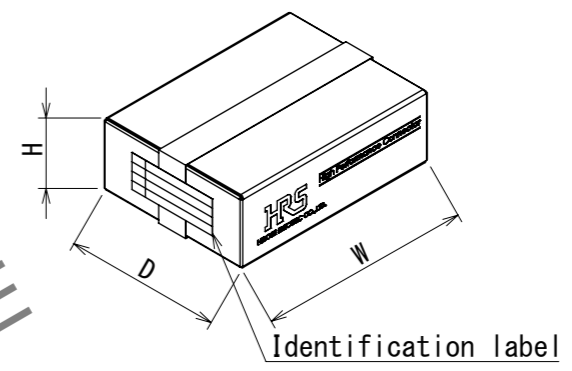
Dec.1.2024 Copyright 2024 HIROSE ELECTRIC CO., LTD. All Rights Reserved.  
In case of consideration for using Automotive equipment / device which demand high reliability, kindly contact our sales window correspondents.

**ELV, RoHS COMPLIANT**

**PACKAGING SPECIFICATION**

- (1) 100pcs parts are contained in a plastic bag.
- (2) 5 plastic bags are contained in a carton. (total 500 pcs in one carton)
- (3) Close the box and seal with packing tape.

W= (349) mm  
D= (258) mm  
H= (118) mm

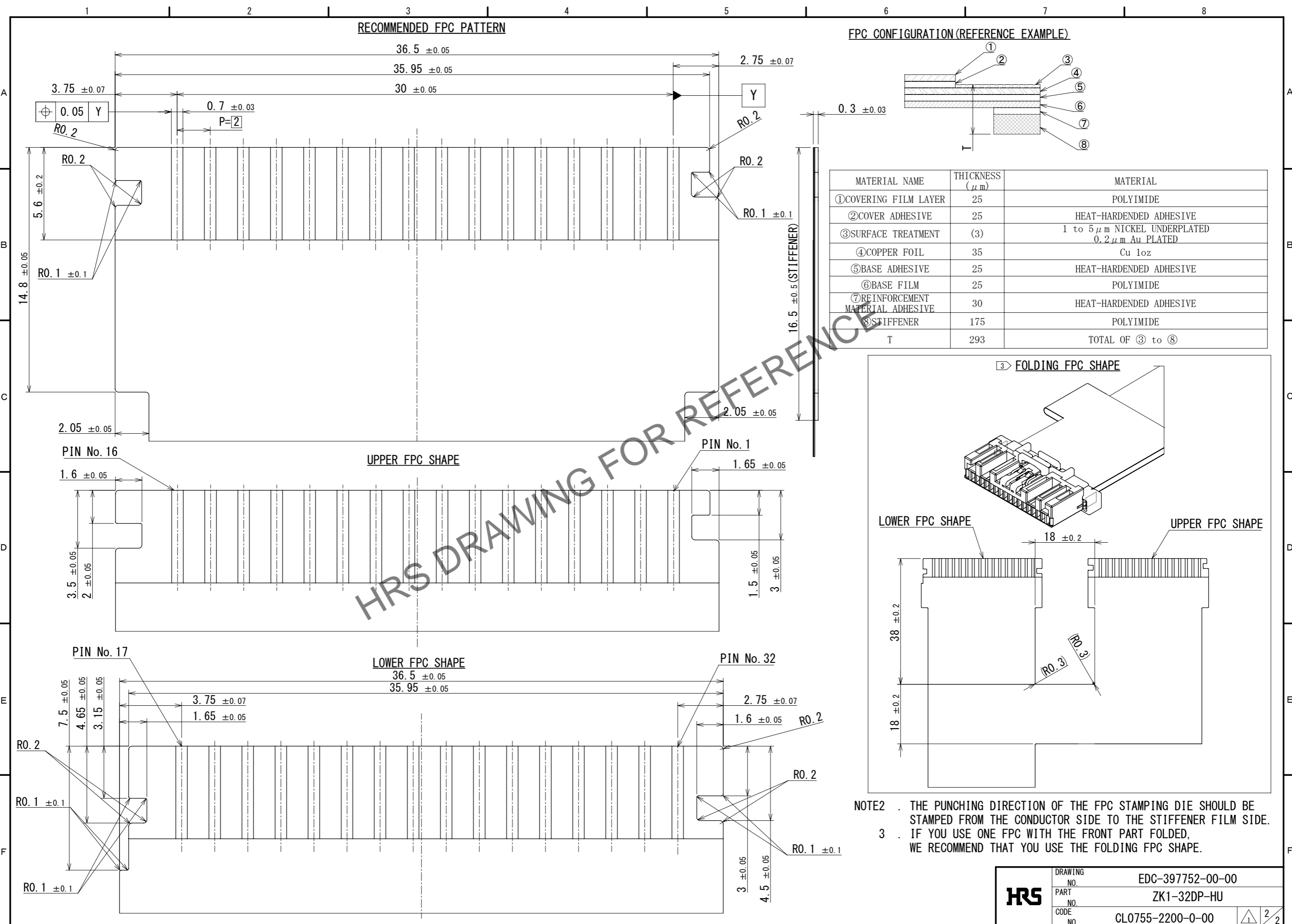


△ Correction of pin No.

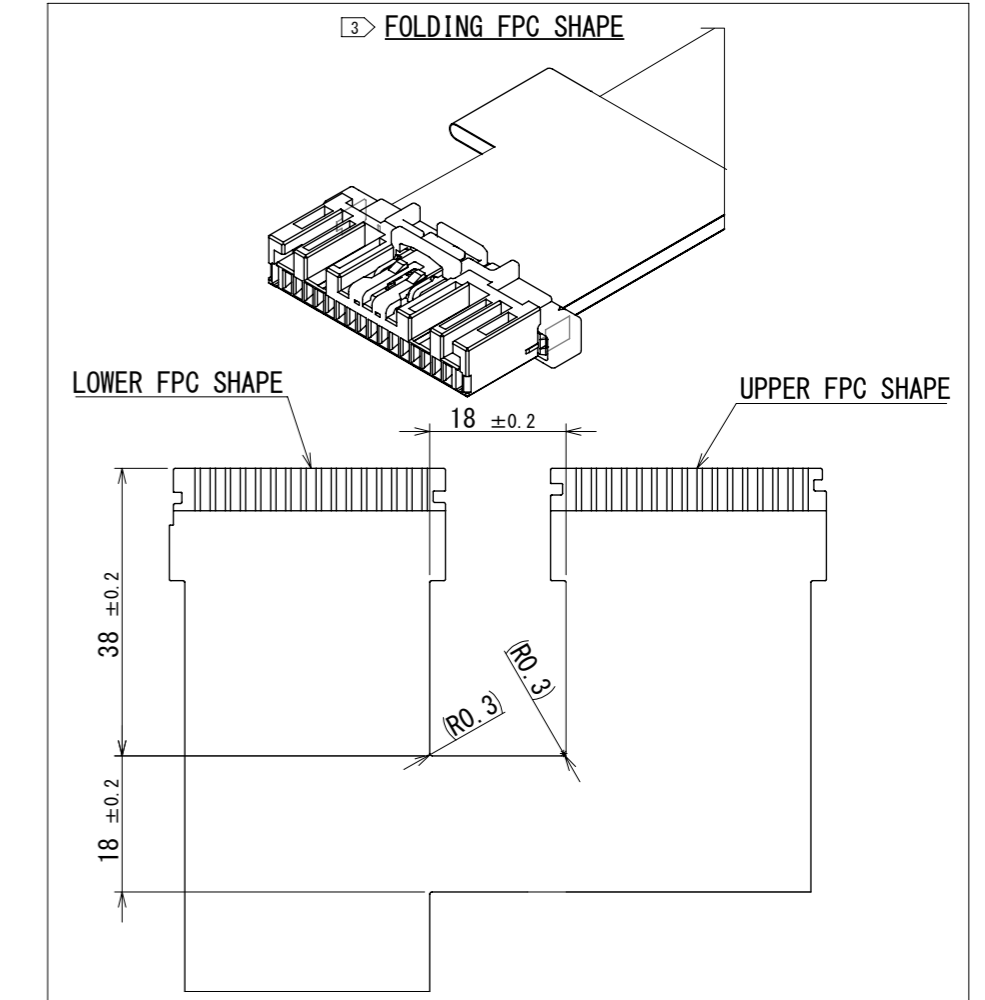
NOTE1. RETAINER ZK1-32DP-R (CL755-2201-0-00) SHOULD BE USED.

1	PA	BLACK						
NO.	MATERIAL	FINISH	REMARKS	NO.	MATERIAL	FINISH	REMARKS	
UNITS		SCALE	COUNT	DESCRIPTION OF REVISIONS		DESIGNED	CHECKED	DATE
mm		2:1	1	DIS-T-00020122		AN. SAIKI	HH. TSUKUMO	2024. 02. 09
<b>HRS</b> HIROSE ELECTRIC CO., LTD.		APPROVED : AH. EDASHIGE	2023. 10. 23	DRAWING NO.		EDC-397752-00-00		
		CHECKED : HH. TSUKUMO	2023. 10. 23	PART NO.		ZK1-32DP-HU		
		DESIGNED : TS. SHIMIZU	2023. 10. 23	CODE NO.		CL0755-2200-0-00		
		DRAWN : MA. TAGUCHI	2023. 10. 23					

Dec.1.2024 Copyright 2024 HIROSE ELECTRIC CO., LTD. All Rights Reserved.  
In case of consideration for using Automotive equipment / device which demand high reliability, kindly contact our sales window correspondents.



MATERIAL NAME	THICKNESS (μm)	MATERIAL
①COVERING FILM LAYER	25	POLYIMIDE
②COVER ADHESIVE	25	HEAT-HARDENED ADHESIVE
③SURFACE TREATMENT	(3)	1 to 5 μm NICKEL UNDERPLATED 0.2 μm Au PLATED
④COPPER FOIL	35	Cu 1oz
⑤BASE ADHESIVE	25	HEAT-HARDENED ADHESIVE
⑥BASE FILM	25	POLYIMIDE
⑦REINFORCEMENT MATERIAL ADHESIVE	30	HEAT-HARDENED ADHESIVE
⑧STIFFENER	175	POLYIMIDE
T	293	TOTAL OF ③ to ⑧



NOTE2 . THE PUNCHING DIRECTION OF THE FPC STAMPING DIE SHOULD BE STAMPED FROM THE CONDUCTOR SIDE TO THE STIFFENER FILM SIDE.  
3 . IF YOU USE ONE FPC WITH THE FRONT PART FOLDED, WE RECOMMEND THAT YOU USE THE FOLDING FPC SHAPE.

<b>HRS</b>	DRAWING NO.	EDC-397752-00-00
	PART NO.	ZK1-32DP-HU
	CODE NO.	CL0755-2200-0-00
		2/2

## X-ON Electronics

Largest Supplier of Electrical and Electronic Components

*Click to view similar products for [Automotive Connectors](#) category:*

*Click to view products by [Hirose](#) manufacturer:*

Other Similar products are found below :

[72.330.1035.1](#) [776880-1](#) [827153-1](#) [9-1326729-8](#) [9-221607-5](#) [925474-1](#) [968782-1](#) [98891-1012](#) [98989-1011](#) [12004468](#) [12004475-L](#)  
[12004483](#) [12033816](#) [12052466](#) [12066163](#) [12015909](#) [12077753](#) [12047958](#) [12084688](#) [12336-12](#) [12343-16-20](#) [13579678](#) [13669373](#)  
[13681974](#) [13688972](#) [13779834](#) [13796274](#) [13843152](#) [13581967](#) [13667961](#) [13669624](#) [13675513](#) [13753471](#) [13946876](#) [13955963](#) [13971791](#)  
[13979933](#) [13797473](#) [13805590](#) [13888202](#) [1428188-1](#) [1437287-3](#) [1428188-2](#) [DS07-19S-5020](#) [1456987-7](#) [APD-7CP-H](#) [APK-SB25A10L](#)  
[1452931-2](#) [15317331](#) [15326397](#)