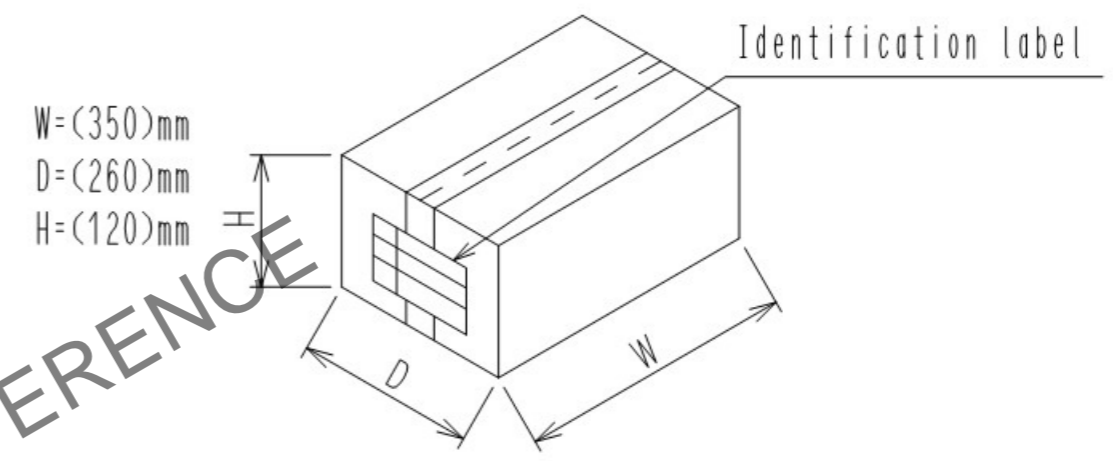
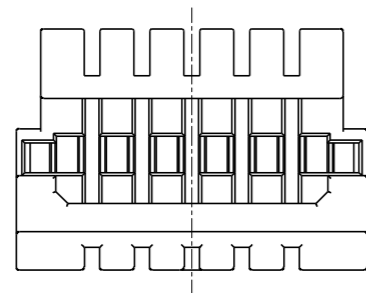
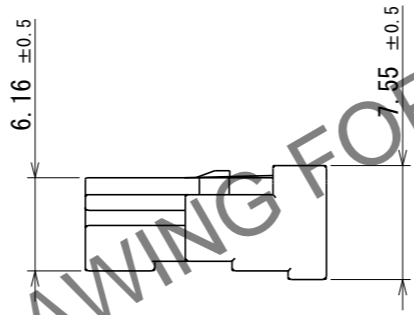
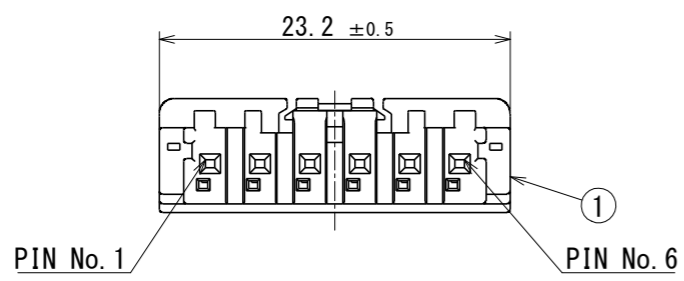
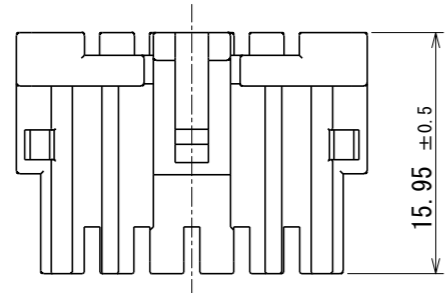


Jul.1.2024 Copyright 2024 HIROSE ELECTRIC CO., LTD. All Rights Reserved.
 In case of consideration for using Automotive equipment / device which demand high reliability, kindly contact our sales window correspondents.

ELV, RoHS COMPLIANT

1. PACKAGING SPECIFICATION

- △ (1) 200pcs parts are contained in a plastic bag.
- △ (2) 5 plastic bags are contained in a carton. (Total 1000 pcs in one carton)
- (3) Close the box and seal with packing tape.



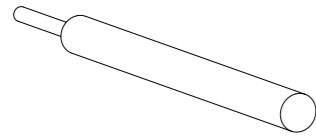
HRS DRAWING FOR REFERENCE

NOTE :
 1. RETAINER ZG05HV-6S-R (CLO754-2300-0-00) SHOULD BE USED.

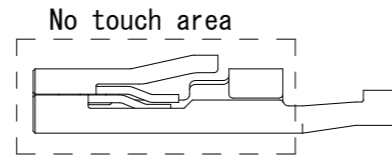
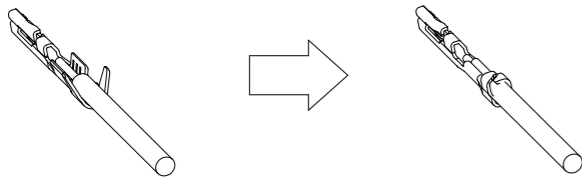
1	PA	ORANGE UL94V-0						
NO.	MATERIAL	FINISH	REMARKS	NO.	MATERIAL	FINISH	REMARKS	
UNITS mm		SCALE 2:1	COUNT 2	DESCRIPTION OF REVISIONS DIS-T-00019459		DESIGNED YANG CHUANXING	CHECKED MASAHIRO SHOUJI	DATE 20231102
HIROSE ELECTRIC CO., LTD.		APPROVED : MASAHIRO SHOUJI	20230714	DRAWING NO.		EDC-404062-00-00		
		CHECKED : MASAHIRO SHOUJI	20230714	PART NO.		ZG05HV-6S-HU (A)		
		DESIGNED : YANG CHUANXING	20230714	CODE NO.		CLO754-2207-0-00		
		DRAWN : YANG CHUANXING	20230714					

2. ASSEMBLY PROCESS

① Strip the cable. Note: Please refer to the Crimp Quality Standard for details on strip length.

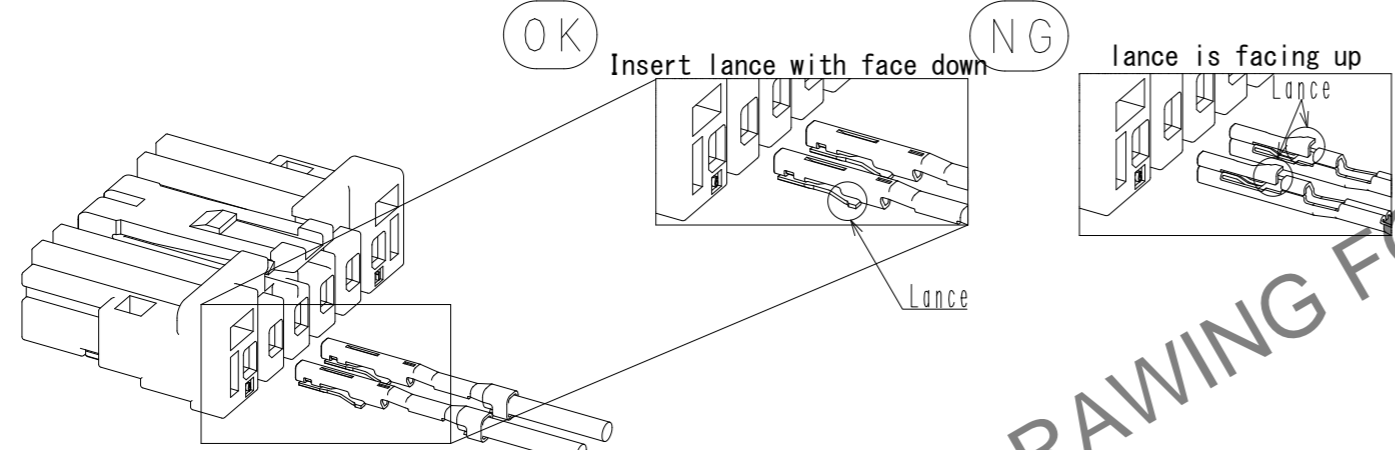


② Crimp wire in terminal ZG05A-2224SCF (##)



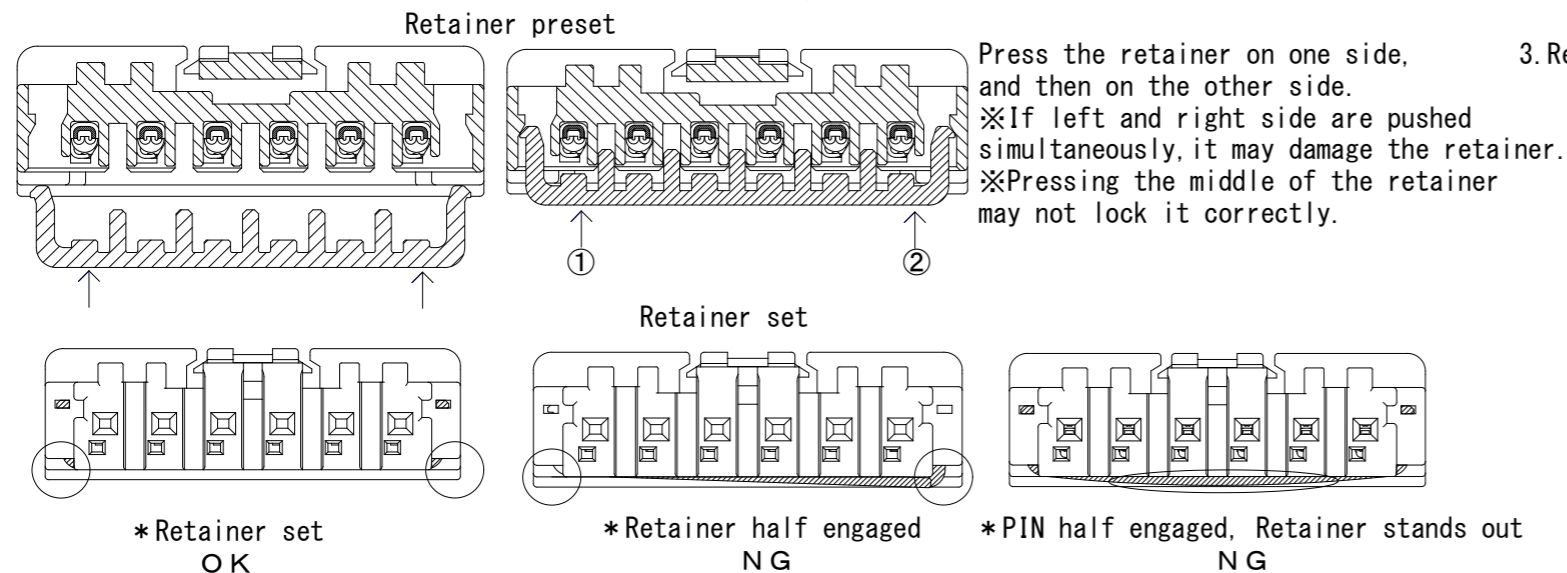
NOTE 1: Please use the Hirose crimp tool.
 NOTE 2: Please refer to the Crimp Quality Standard to confirm terminal compatibility and crimp condition check.
 NOTE 3: Please refer to the Crimp Condition List to confirm crimp height and insulation height.

③ Insert contact and push until a click is heard. Pull the crimped wire gently to make sure that it is locked.



Note: Inserting the terminal section while swinging the terminal up and down in the housing insertion hole, will deform the lance and it will not be possible to lock it. In that case, use a new terminal and do not reuse the damaged one.

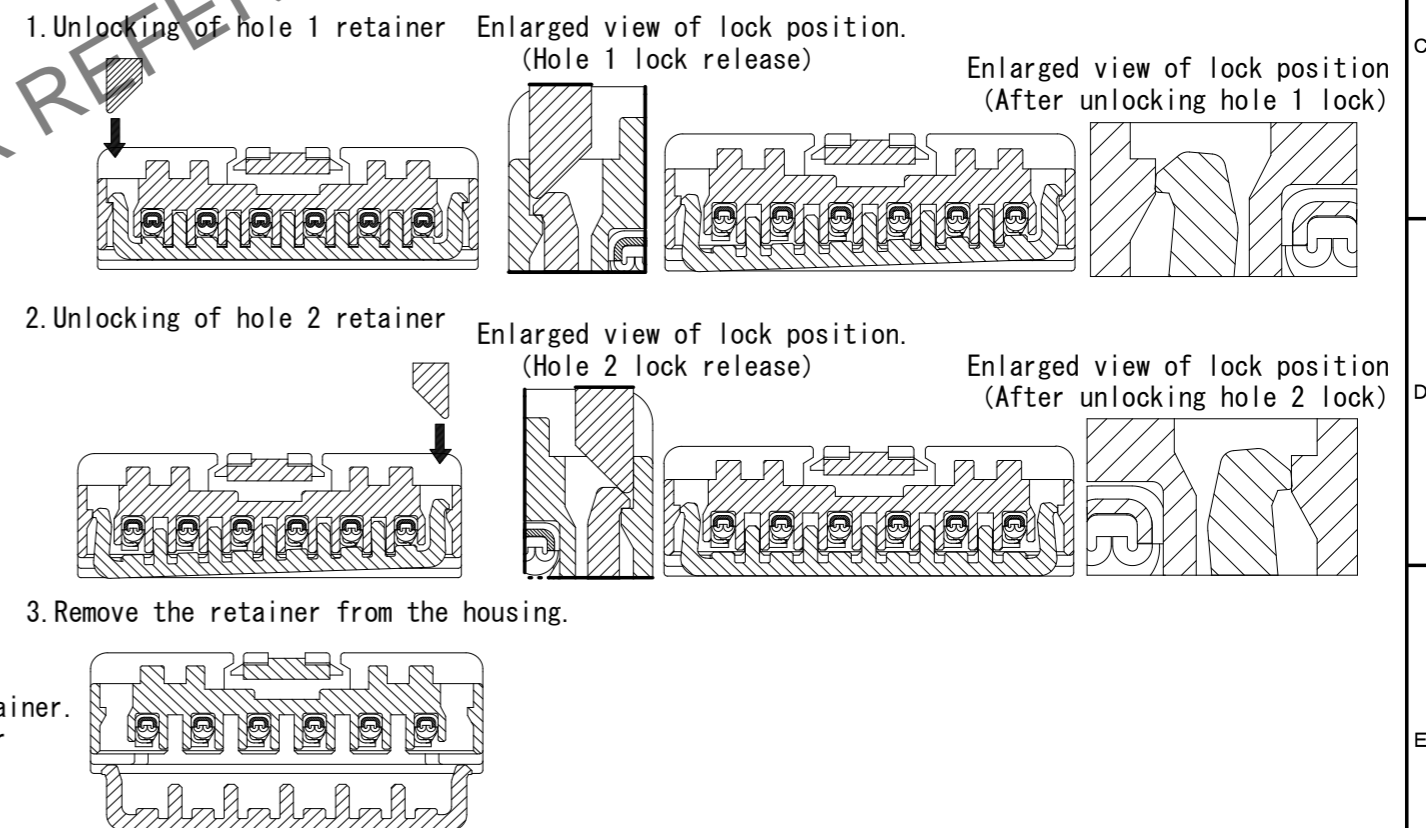
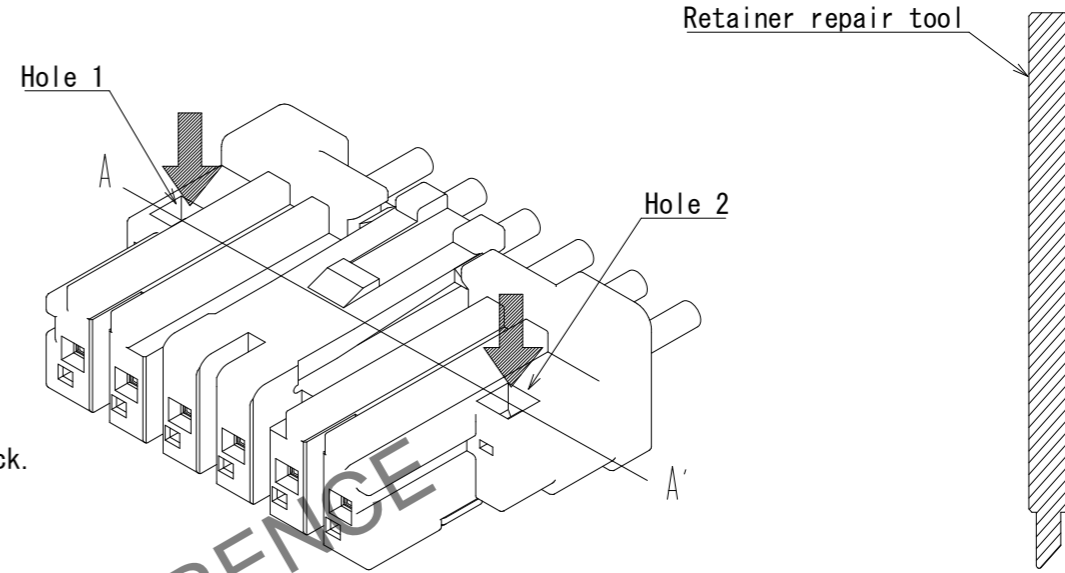
④ Press the retainer on one side, and then on the other side, to bring it to set position. (Refer to the attached sheet)



After setting the retainer, please inspect the housing from the view as shown below, and confirm that the retainer is not protruding from any side.

3. REPAIR PROCESS

① Insert the specified tool into the location shown in the illustration, holes 1 and 2, and unlock the retainer one side at a time.

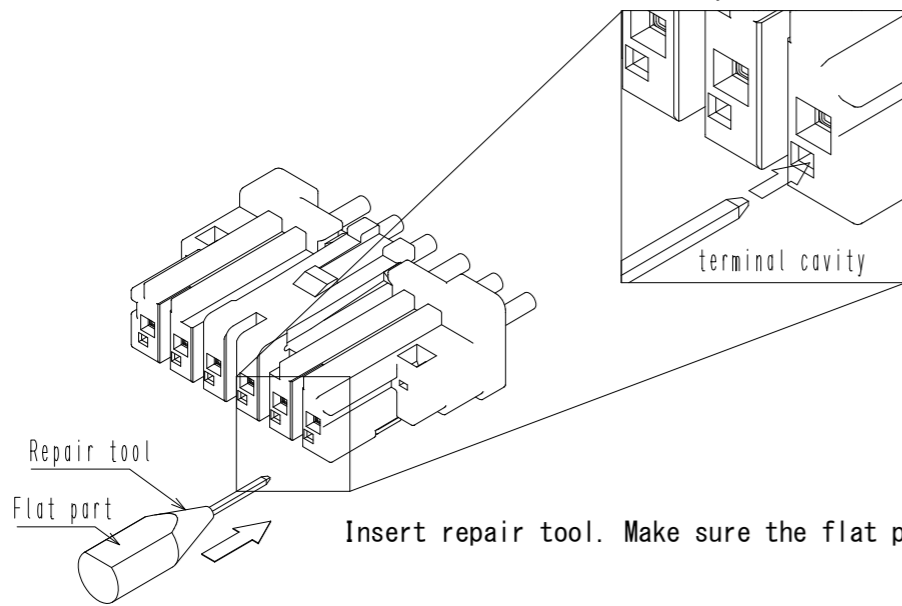


Note: Once the retainer is removed, it cannot be reused.

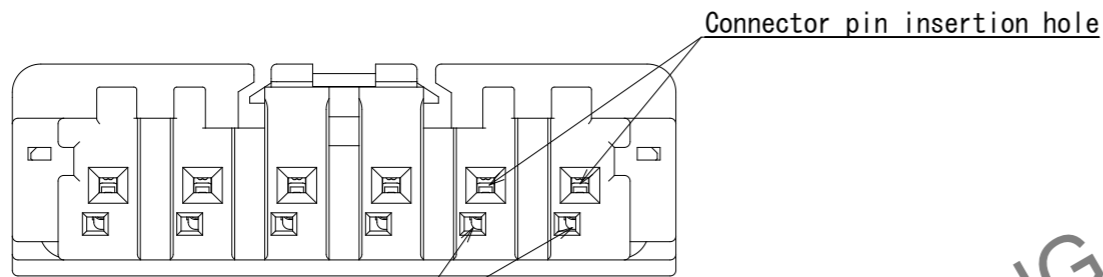
HRS	DRAWING NO.	EDC-404062-00-00	2/4
	PART NO.	ZG05HV-6S-HU (A)	
	CODE NO.	CL0754-2207-0-00	

3. REPAIR PROCESS

②Insert the repair tool into the terminal cavity and push until contact with the terminal is made. Maintain this position and remove the terminal.



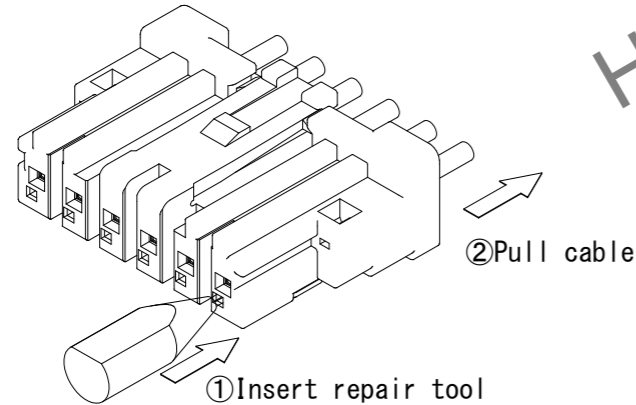
Insert repair tool. Make sure the flat part is on the top.



Repair tool insertion hole (terminal cavity)

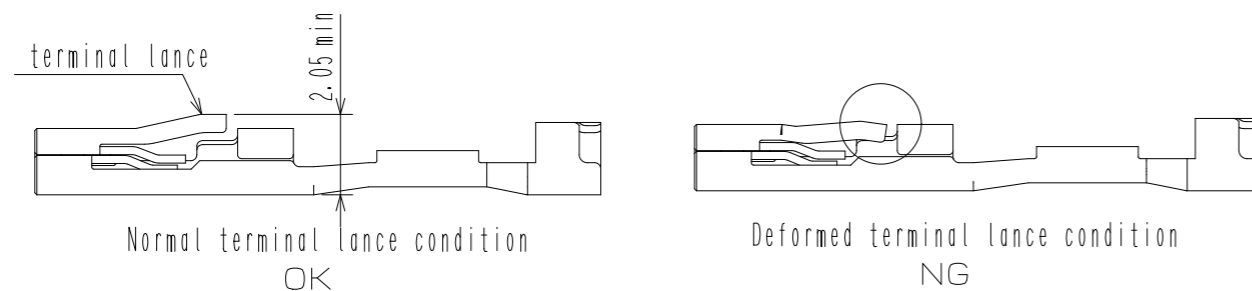
Note: Be careful not to insert the repair tool into the connector pin insertion hole.
 ※If inserted, contact part will be deformed and it will result on continuity failure.
 Use new terminal without reuse.

Condition of inserted repair tool



Note: Do not reuse the connectors. Please use a new connector after repairing.

Note: Do not reuse the terminal in case the lance has a transformation. Use a new terminal.



4. Other / Notes

- 1) Do not touch the terminal contact points or the interior of the barrel.
- 2) When handling the terminal, please wear gloves in order to prevent corrosion.
- 3) Placing items on top of a terminal or dropping a terminal may result in deformity or contamination. Please handle terminals with care.
- 4) In case the terminals become tangled, please do not pull or bend them apart. Please untangle them carefully.
- 5) Use caution when handling terminals in order to avoid deformation.
- 6) Make sure that the terminals of crimped cables do not become entangled. When bundling or stacking cables, please prevent the terminals from being subjected to any external force.
- 7) Use caution to ensure that the part is not subjected to any large impacts.
- 8) Avoid storing in dusty areas.
- 9) Do not place wire harnesses on the floor.
- 10) Refrain from any handling that may result in terminal damage or deformation.
- 11) In case any released retainer is found, please scrap both retainer and housing.
- 12) Do not use the housing in case it drops.

Dedicated tool summary

Crimped Terminal connection Tool - Part Number Summary

Applicable Part	Connection Tool Name		Connection Tool Part Number
ZG05A-2224SC (F) (##)	applicator	AP105-ZG05A-2224S	901-5240-0

(##) = specification number

Crimped Terminal Repair Tool - Part Number Summary

Applicable Part	Repair Tool Name	Repair Tool Part Number
ZG05A-2224SC (F) (##)	ZG05A/RE-MD	902-5146-0

(##) = specification number

Retainer Repair Tool Part No. List

Applicable Part	Repair Tool Name	Repair Tool Part Number
ZG05HV- (*) S-HU (##)	-	-

(*) = Specification pin number.

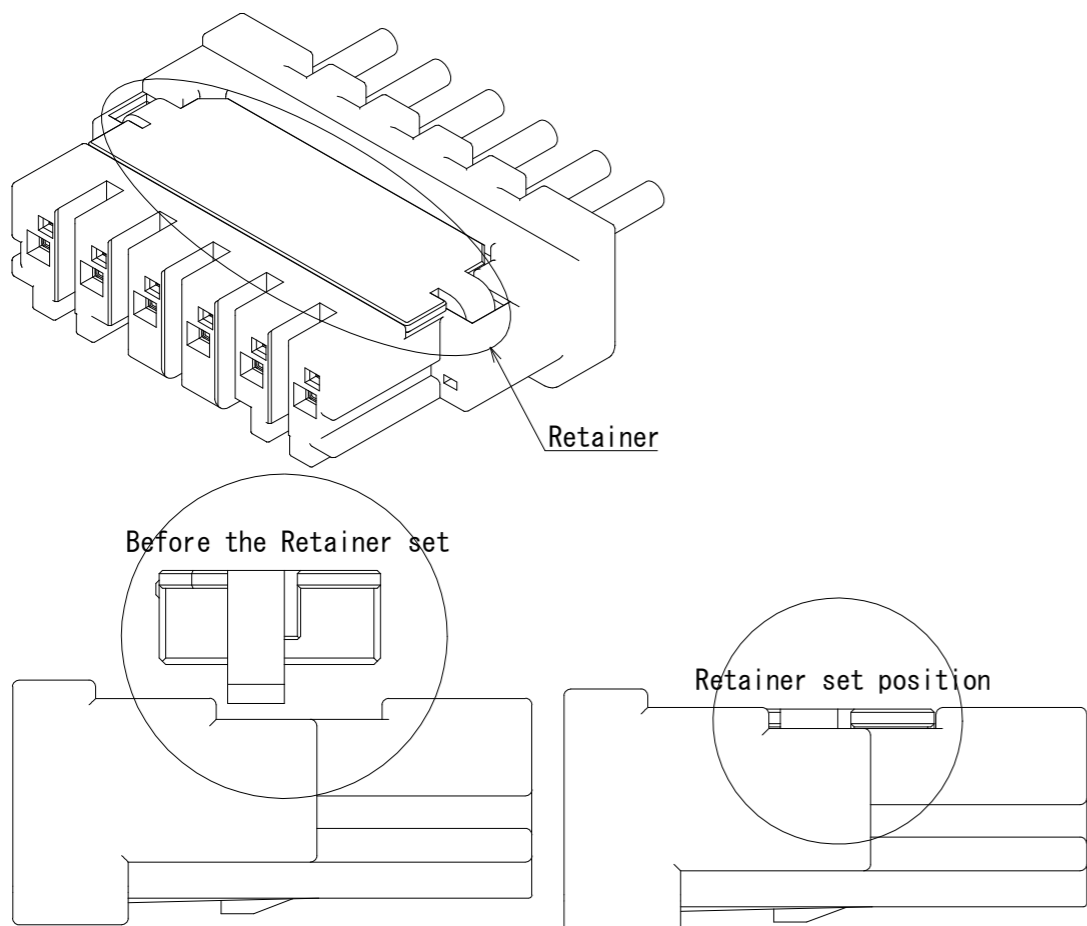
(##) = specification number

HRS	DRAWING NO.	EDC-404062-00-00	3/4
	PART NO.	ZG05HV-6S-HU (A)	
	CODE NO.	CL0754-2207-0-00	
	NO.		

Jul.1.2024 Copyright 2024 HIROSE ELECTRIC CO., LTD. All Rights Reserved.
 In case of consideration for using Automotive equipment / device which demand high reliability, kindly contact our sales window correspondents.

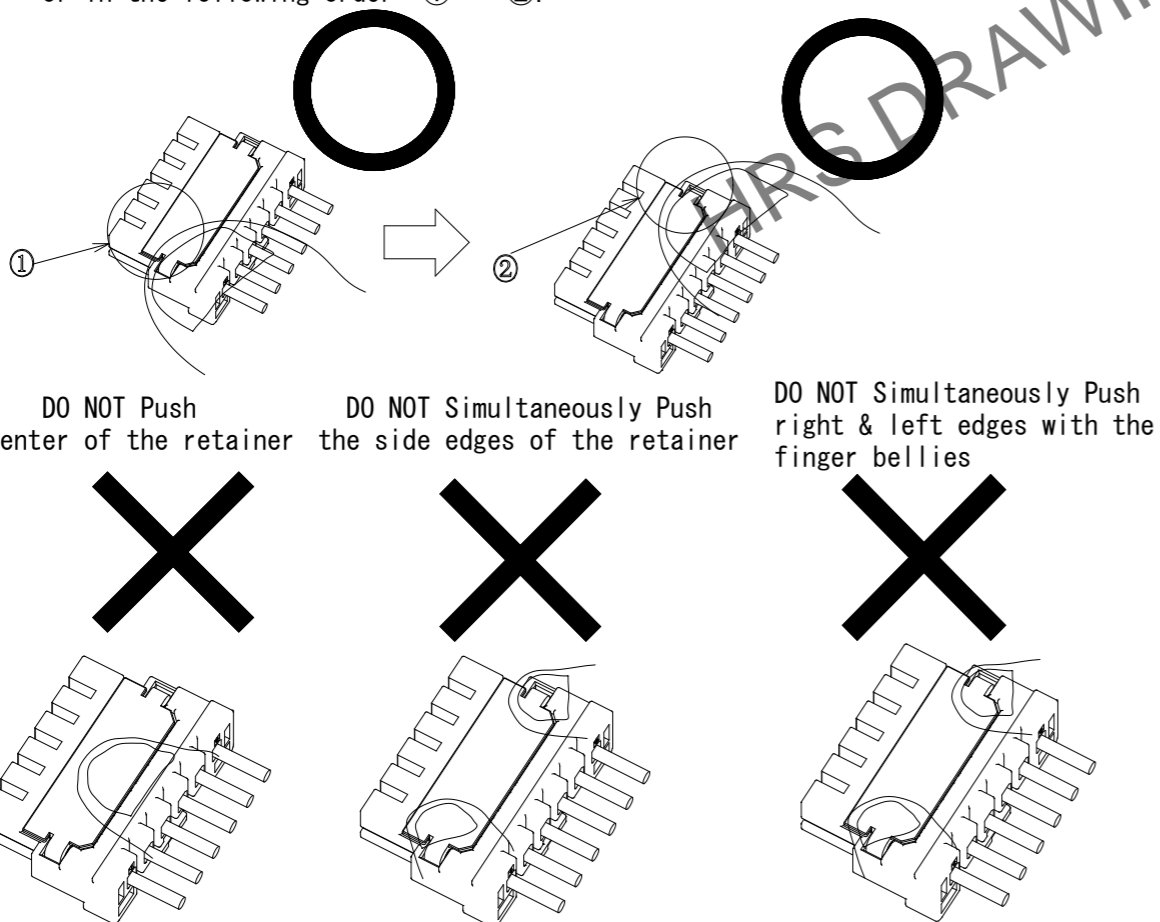
Precaution note: Retainer insertion procedure

CRIMP QUALITY STANDARD

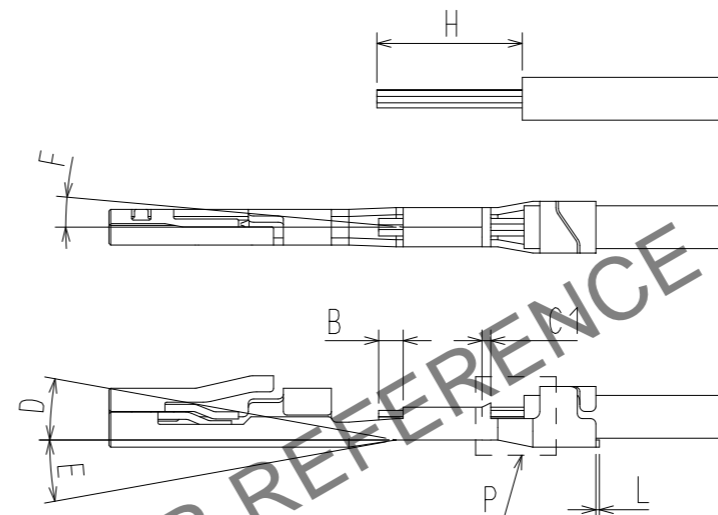


Precautions concerning retainer insertion procedure

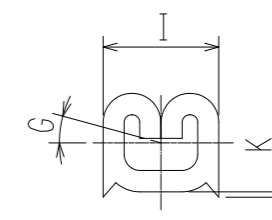
◆Manually push the retainer edges, starting from the left to the right side, or in the following order: ① → ②.



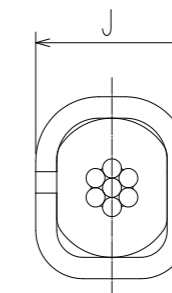
1. Scope
This technical specification prescribes crimp condition of ZG05A-2224SCF (CL754-2001-0)
2. Applicable wire
· Applicable wire size : 0.22~0.35SQ
· Applicable insulation size : $\phi 1.1 \sim \phi 1.4$
3. Quality standard



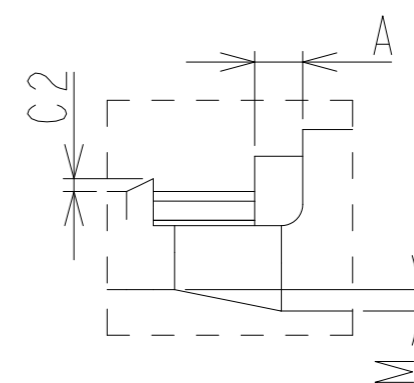
WIRE BARREL CROSS-SECTION IMAGE



INSULATION BARREL CROSS-SECTION IMAGE



P ENLARGED VIEW



CHECK POINT		MEASURE (mm)	
COVER LOCATION	A	0.1~1.3	
LOCATION OF TIP OF THE CORE	B	0.1~1.0	
BELL-MOUTH	C1	0.1~0.4	
	C2	-	
BEND-UP	D	3° max	
BEND-DOWN	E	3° max	
TWIST	F	$\pm 2^\circ$ max	
ROLLING	G	$\pm 5^\circ$ max	
STRIP LENGTH	H	3.5~4.0	
WIDTH	WIRE BARREL	I	1.36 max
	INSULATION BARREL	J	1.47 max
HEIGHT OF METAL CUT-OUT TEETH	K	0.15 max	
CUT-OFF TAB	L	0.1 max	
DIFFERENCE IN LEVEL BETWEEN WIRE BARREL	M	0.2 max	

Note1. Refer to a crimp condition list for the crimp height.
 Note2. There is a possibility that a terminal is involved in covering and crowded by the crimping, but it's no problem on the product function.
 Note3. Please confirm that the terminal which did crimp enters a housing.

X-ON Electronics

Largest Supplier of Electrical and Electronic Components

Click to view similar products for [Automotive Connectors](#) category:

Click to view products by [Hirose](#) manufacturer:

Other Similar products are found below :

[60993906-B](#) [72.330.1035.1](#) [776880-1](#) [827153-1](#) [9-1326729-8](#) [9-221607-5](#) [12004468](#) [12004475-L](#) [12004483](#) [12033816](#) [12052466](#) [12066163](#)
[12015909](#) [12077753](#) [12047958](#) [12336-12](#) [13579678](#) [13669373](#) [13681974](#) [13688972](#) [13783086](#) [13796274](#) [13843152](#) [13581967](#) [13667961](#)
[13669624](#) [13675513](#) [13946876](#) [13955963](#) [13971791](#) [13979933](#) [13797473](#) [13888202](#) [1428188-1](#) [1437287-3](#) [1428188-2](#) [DS07-19S-5020](#)
[APK-SB25A10L](#) [1452931-2](#) [15317331](#) [15326397](#) [15336198](#) [15435215](#) [15459772](#) [15305306](#) [15345479](#) [15396680](#) [15544350](#) [15482410](#)
[15489904](#)