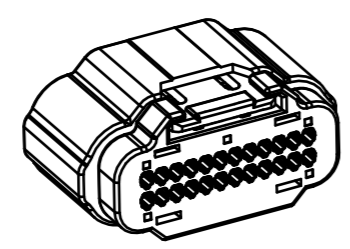
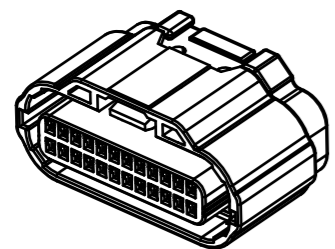
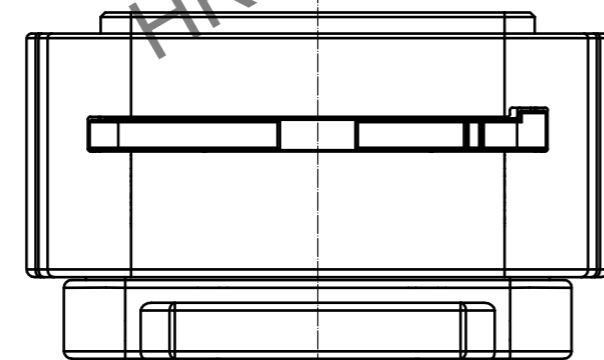
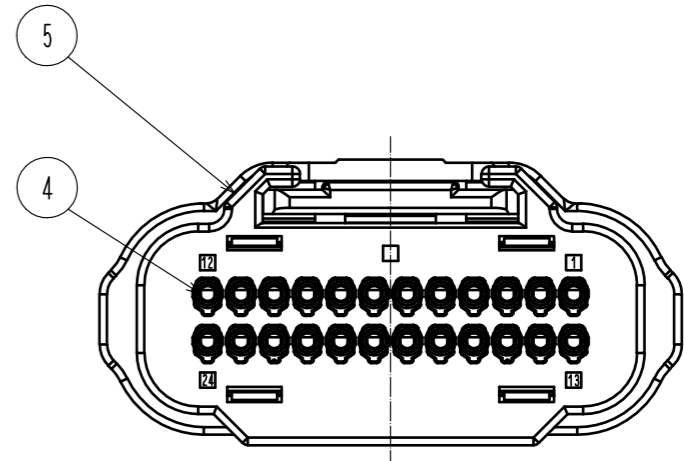
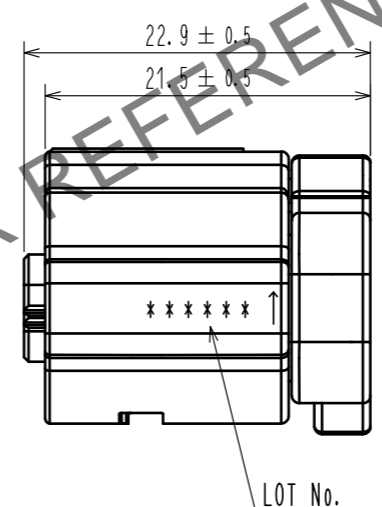
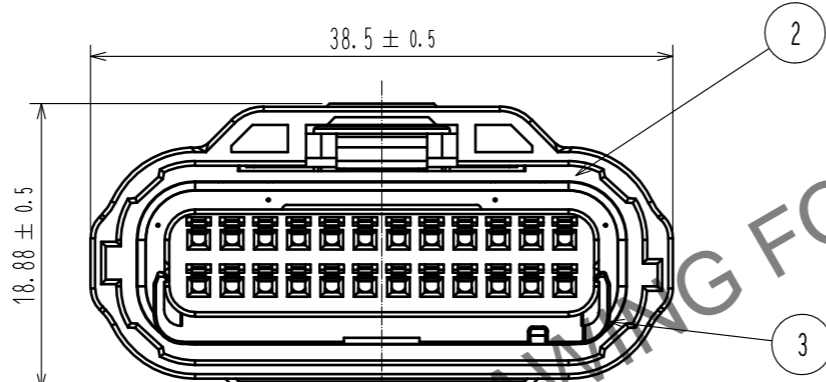
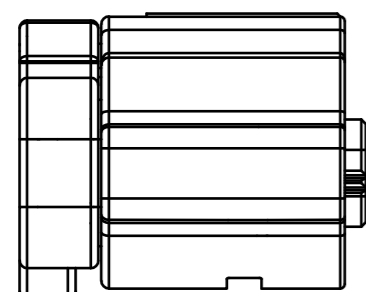
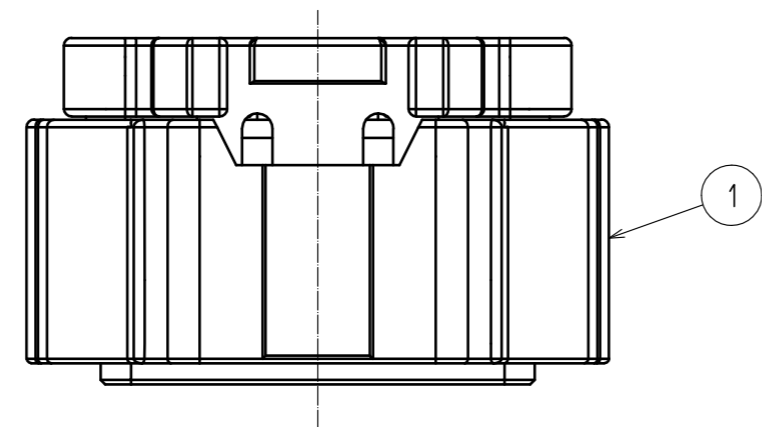
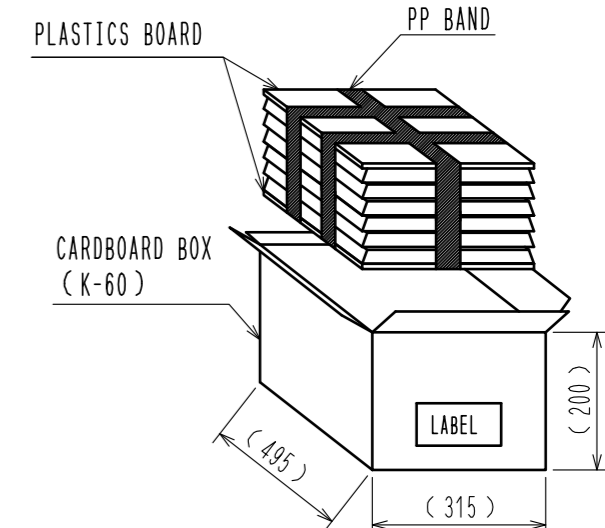


Dec.1.2024 Copyright 2024 HIROSE ELECTRIC CO., LTD. All Rights Reserved.  
In case of consideration for using Automotive equipment / device which demand high reliability, kindly contact our sales window correspondents.

ELV. RoHS COMPLIANT

⚠ DELETE PAGES 2-5

③ PACKING STYLE



- NOTE 1. APPLICABLE MATING CONNECTOR : ZE064W-24DP-HU/R(B)  
 2. THE APPLICABLE PARTS ARE AS FOLLOWS.  
 CRIMP CONTACT : ZE064-2022SCF  
 WATERPROOF CAP : ZE064W-WCP(2022)  
 ③ MAXIMUM NUMBER OF PRODUCT PER BOX : 55 PCS PER TRAY × 5 LAYERS = 275 PCS.  
 PUT AN EMPTY TRAY ON THE TOP ROW.  
 ⚠ 4. BEFORE USE, BE SURE TO REFER TO THE INSTRUCTION MANUAL ETAD-T0644-00.

3	PA	BEIGE, UL94 V-0					
2	SILICONE	RED, OIL BLEED ⚠	5	PBT	GRAY, UL94 V-0		
1	PA	GRAY, UL94 V-0	4	SILICONE	RED, OIL BLEED ⚠		
NO.	MATERIAL	FINISH, REMARKS	NO.	MATERIAL	FINISH, REMARKS		
UNITS mm	⊕	SCALE 2 : 1	COUNT 4	DESCRIPTION OF REVISIONS DIS-T-00016742	DESIGNED TY. MOGI	CHECKED AH. EDASHIGE	DATE 20230124
<b>HRS</b> HIROSE ELECTRIC CO., LTD.		APPROVED : HK. UMEHARA 20180613	DRAWING NO. EDC-374260-00-00				
		CHECKED : HH. TSUKUMO 20180613	PART NO. ZE064W-24DS-HU/R(B)				
		DESIGNED : AS. SHIBAHARA 20180613	CODE NO. CL0753-2006-0-00				
		DRAWN : GYEONGMIN LEE 20180613					

## X-ON Electronics

Largest Supplier of Electrical and Electronic Components

*Click to view similar products for [Automotive Connectors](#) category:*

*Click to view products by [Hirose](#) manufacturer:*

Other Similar products are found below :

[72.330.1035.1](#) [776880-1](#) [827153-1](#) [9-1326729-8](#) [9-221607-5](#) [925474-1](#) [968782-1](#) [98891-1012](#) [98989-1011](#) [12004468](#) [12004475-L](#)  
[12004483](#) [12033816](#) [12052466](#) [12066163](#) [12015909](#) [12077753](#) [12047958](#) [12084688](#) [12336-12](#) [12343-16-20](#) [13579678](#) [13669373](#)  
[13681974](#) [13688972](#) [13779834](#) [13796274](#) [13843152](#) [13581967](#) [13667961](#) [13669624](#) [13675513](#) [13753471](#) [13946876](#) [13955963](#) [13971791](#)  
[13979933](#) [13797473](#) [13805590](#) [13888202](#) [1428188-1](#) [1437287-3](#) [1428188-2](#) [DS07-19S-5020](#) [1456987-7](#) [APD-7CP-H](#) [APK-SB25A10L](#)  
[1452931-2](#) [15317331](#) [15326397](#)