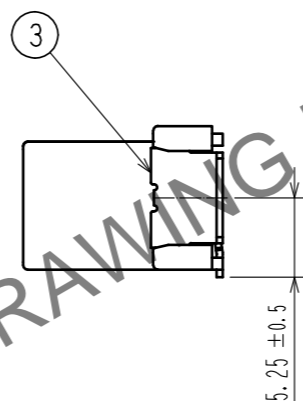
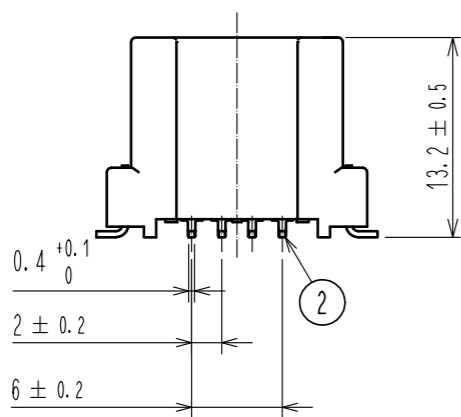
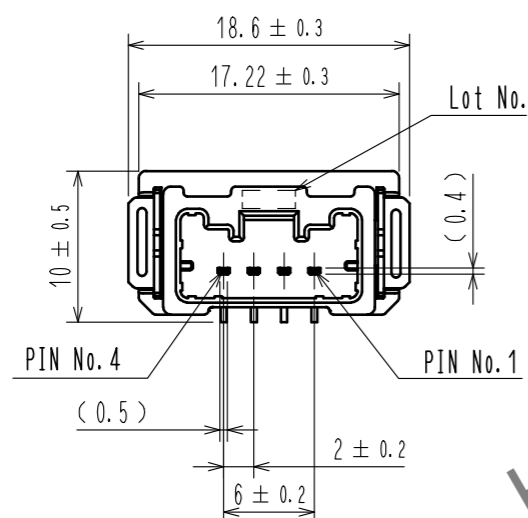
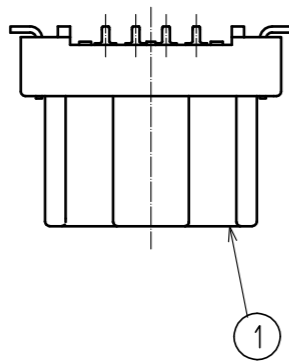
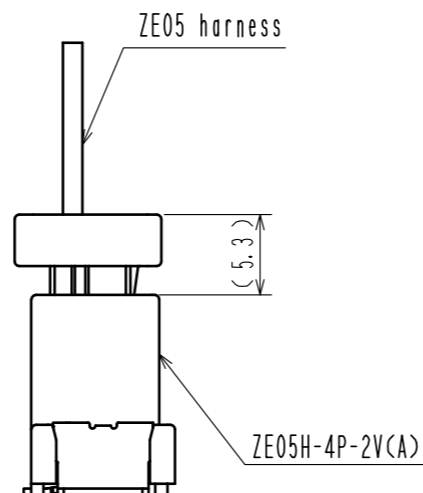


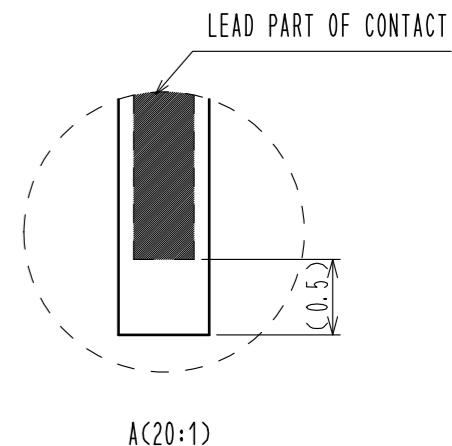
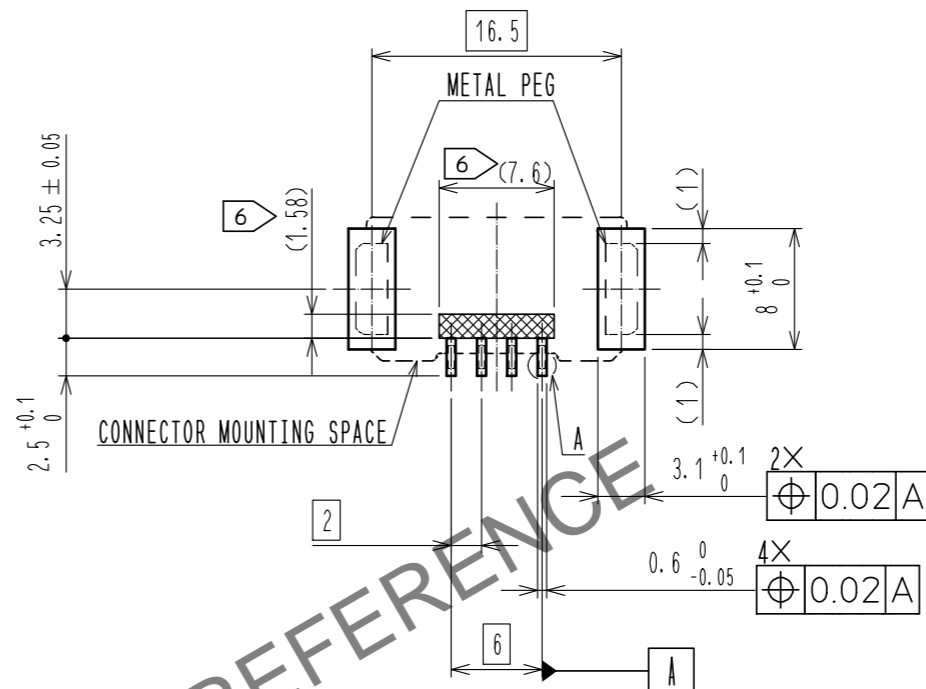
ELV, ROHS COMPLIANT



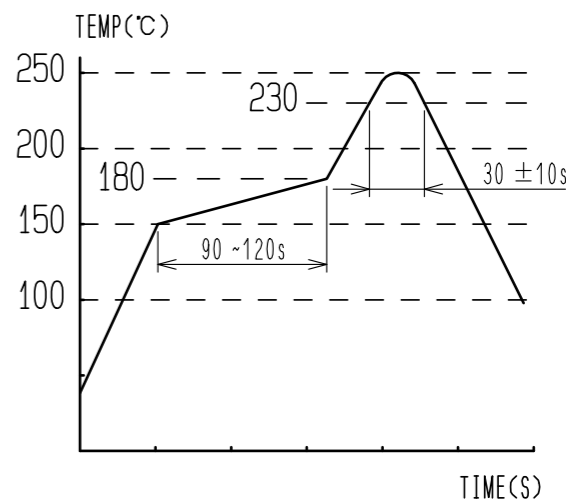
MATED CONNECTORS



RECOMMENDED PCB PATTERN



- NOTE 1. RECOMMENDED TEMPERATURE PROFILE FOR REFLOW (REFER TO RIGHT FIG.) USED REFLOW SYSTEM
 : IR IN THE AIR OR NITROGEN
 NO. OF CYCLES : 2 MAX
 PEAK : 250°C
 OVER 230°C : 20~40s
 PREHEAT : 150~180°C
 90~120s
2. TEMPERATURE FOR SOLDERING IRON : 280~300°C WITHIN 2s
3. CO-PLANARITY SHALL BE 0.1mm MAX.
4. RECOMMENDED PCB THICKNESS IS 1.6mm.
5. RECOMMENDED SOLDER THICKNESS IS 0.15mm.
6. [Symbol] : PROHIBITED PATTERN AREA



3	BRASS	SURFACE PLATING : TIN PLATING 1μm min			
		UNDER PLATING : NICKEL 1μm min			
2	BRASS	SURFACE PLATING : TIN PLATING 1μm min	6	POLYIMIDE	PICK & PLACE TAPE
		UNDER PLATING : NICKEL 1μm min	5	POLYESTER	
1	PA	GRAY UL94V-0	4	POLYSTYRENE	
NO.	MATERIAL	FINISH . REMARKS	NO.	MATERIAL	FINISH . REMARKS
UNITS	mm	SCALE	2 : 1	COUNT	2
DESCRIPTION OF REVISIONS			DESIGNED	YH. MAMADA	CHECKED
DIS-T-00006748			DATE	20200920	
APPROVED : HK. UMEHARA			20190607	DRAWING NO. EDC-388131-00-00	
CHECKED : HK. UMEHARA			20190607	PART NO. ZE05H-4P-2V(A)	
DESIGNED : YH. MAMADA			20190607	CODE NO. CL752-2320-0-00	
DRAWN : MINTAE KANG			20190607	1/2	

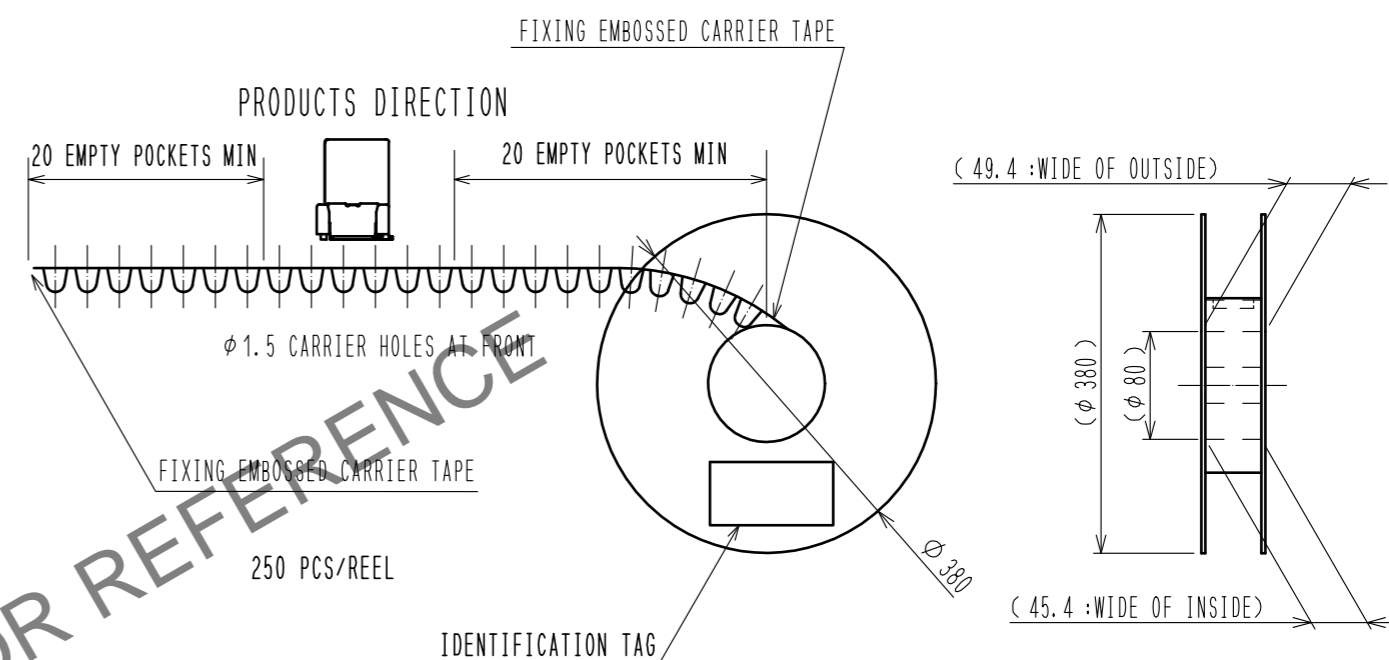
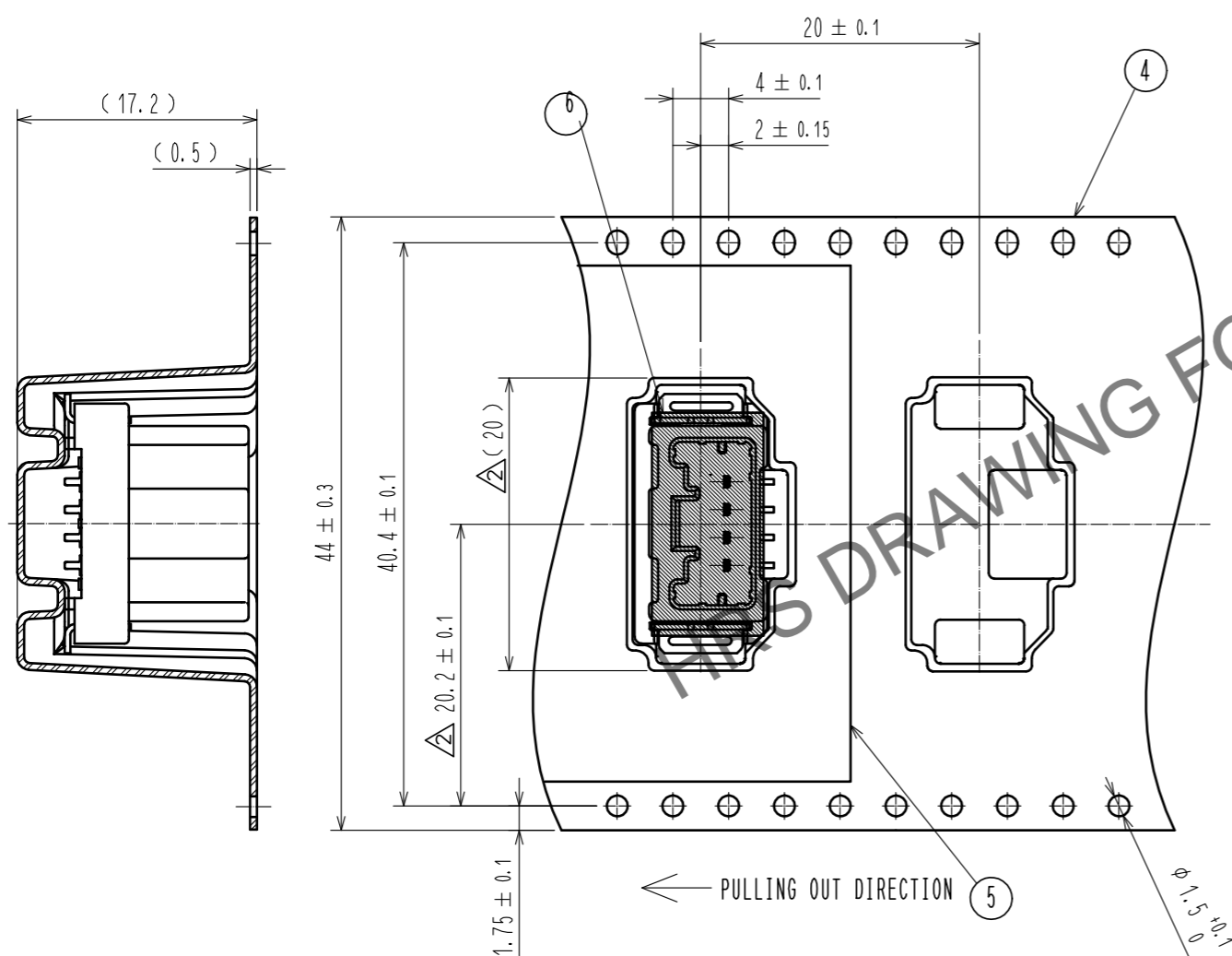
In case of consideration for using Automotive equipment / device which demand high reliability, kindly contact our sales window correspondents.

Jul.1.2024 Copyright 2024 HIROSE ELECTRIC CO., LTD. All Rights Reserved.
 In case of consideration for using Automotive equipment / device which demand high reliability, kindly contact our sales window correspondents.

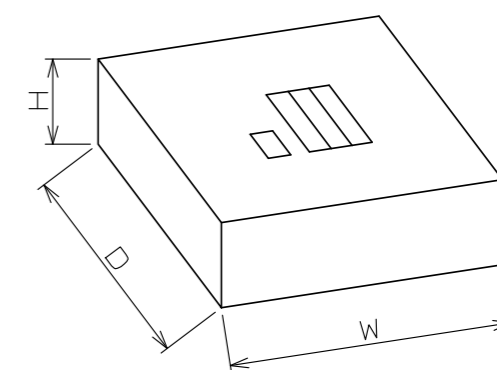
PACKING STYLE

REEL DIMENSION (FREE)

PACKING STYLE DRAWING



CARDBOARD DIMENSION (FREE)



W=(405) (mm)
 D=(405) (mm)
 H=(51) (mm)

HRS	DRAWING NO.	EDC-388131-00-00	Δ 2/2
	PART NO.	ZE05H-4P-2V(A)	
	CODE NO.	CL752-2320-0-00	

X-ON Electronics

Largest Supplier of Electrical and Electronic Components

Click to view similar products for [Automotive Connectors](#) category:

Click to view products by [Hirose](#) manufacturer:

Other Similar products are found below :

[60993906-B](#) [72.330.1035.1](#) [776880-1](#) [827153-1](#) [9-1326729-8](#) [9-221607-5](#) [98891-1012](#) [12004475-L](#) [12004483](#) [12033816](#) [12052466](#)
[12066163](#) [12015909](#) [12077753](#) [12336-12](#) [13579678](#) [13669373](#) [13681974](#) [13688972](#) [13796274](#) [13843152](#) [13581967](#) [13667961](#) [13669624](#)
[13675513](#) [13753471](#) [13946876](#) [13955963](#) [13971791](#) [13979933](#) [13790534-L](#) [13797473](#) [13888202](#) [1428188-1](#) [1437287-3](#) [1428188-2](#) [DS07-](#)
[19S-5020](#) [APK-SB25A10L](#) [1452931-2](#) [15317331](#) [15326397](#) [15336198](#) [15435215](#) [15459772](#) [15305306](#) [15345479](#) [15396680](#) [15544350](#)
[15482410](#) [15489904](#)