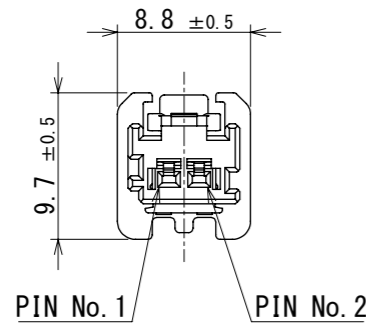
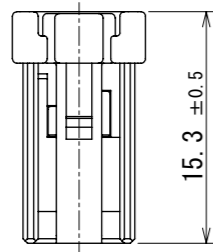
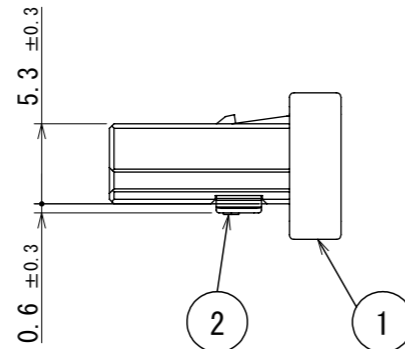


Feb.1.2025 Copyright 2025 HIROSE ELECTRIC CO., LTD. All Rights Reserved.
 In case of consideration for using Automotive equipment / device which demand high reliability, kindly contact our sales window correspondents.

ELV, RoHS COMPLIANT

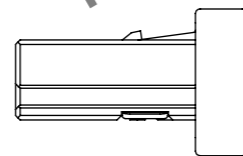
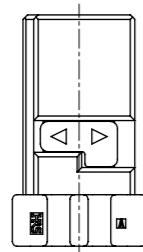


① RETAINER PRESET STATE



PIN No. 2 PIN No. 1

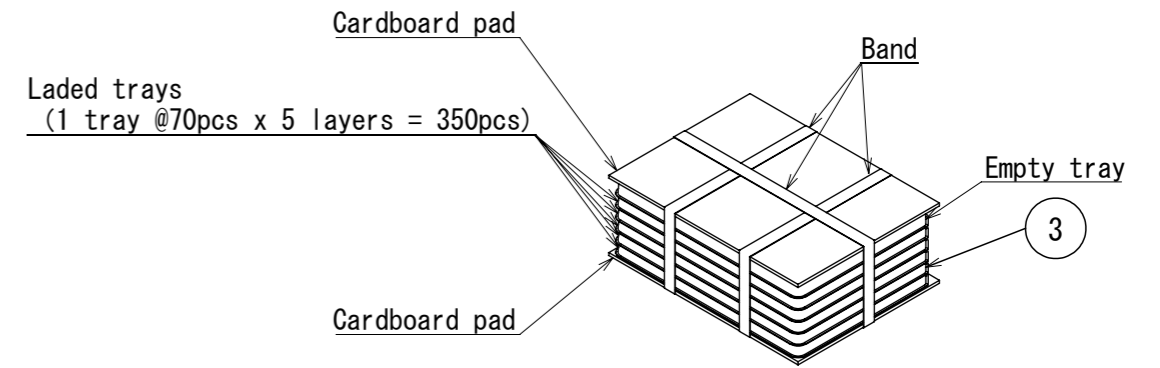
② RETAINER FIXED STATE



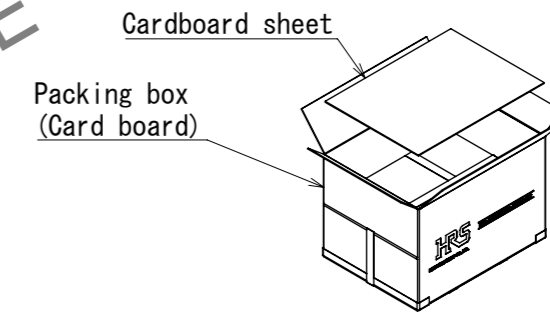
NOTE. ① RETAINER IS TEMPORARILY ASSEMBLED INTO HOUSING.
 ② RETAINER TO BE COMPLETELY ASSEMBLED INTO POSITION AFTER CONTACT IS INSERTED.
 3. PLEASE REFER TO INSTRUCTION SHEET ETAD-T0649-00 BEFORE USE.

Packaging Specification

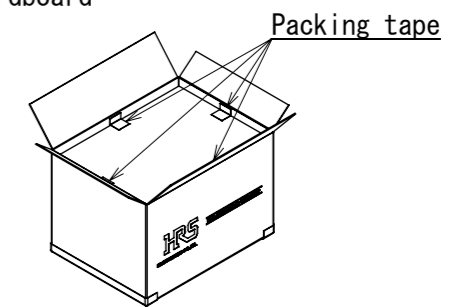
(1) After placing parts in trays, stack in six layers. (Top layer will be empty.)



(2) Place bound trays in box, then place cardboard sheet on top.

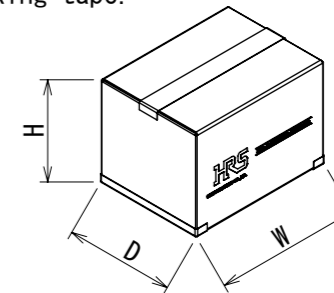


(3) Using packing tape, affix sheet of cardboard to box in four places.



(4) Place lid on box and seal with packing tape.

W=(365) mm
 D=(267) mm
 H=(126) mm

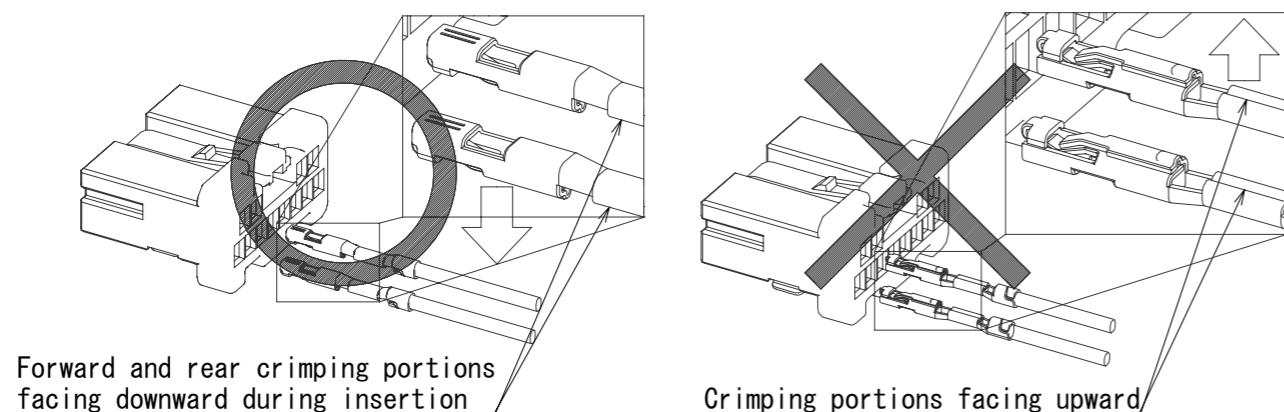


2	PA	BEIGE				
1	PA	VIOLET	3	POLYSTYRENE		
NO.	MATERIAL	FINISH	REMARKS	NO.	MATERIAL	FINISH
UNITS		SCALE	COUNT	DESCRIPTION OF REVISIONS		DESIGNED
mm		2:1	△			CHECKED
		HIROSE ELECTRIC CO., LTD.		APPROVED : AH. EDASHIGE	2023. 07. 10	DATE
				CHECKED : TY. MOGI	2023. 07. 10	DRAWING NO.
				DESIGNED : HR. EGAWA	2023. 07. 10	PART NO.
				DRAWN : AN. SAIKI	2023. 07. 10	CODE NO.
						EDC-402829-00-00
						ZE05-2S-HU/R (B)
						CL0752-2221-0-00
						1/2

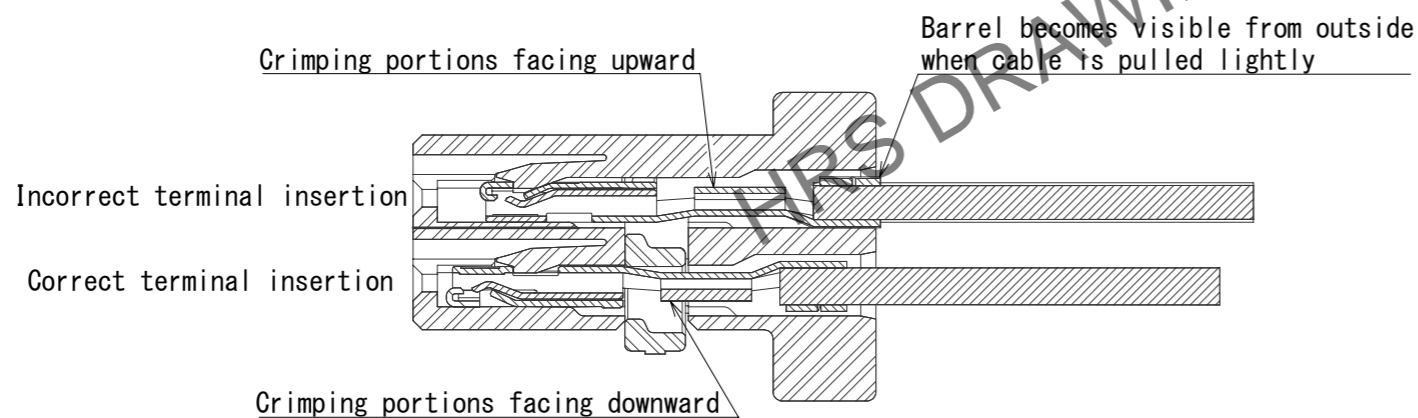
Feb.1.2025 Copyright 2025 HIROSE ELECTRIC CO., LTD. All Rights Reserved.
In case of consideration for using Automotive equipment / device which demand high reliability, kindly contact our sales window correspondents.

PRECAUTIONS
PLEASE BE SURE TO FOLLOW THE INSTRUCTIONS IN ETAD-T0649-00, OR MAY CAUSE THE CONNECTOR TO BROKEN.
FOLLOWING CONTENTS ARE EXCERPTS OF ETAD-T0649-00.

① Please Insert the terminal into the housing and push until a click sound is heard.
※ Please take care to ensure that the terminal is inserted in the correct orientation.



② After the terminal insertion process, pull the cable lightly to check incorrect insertion like half insertion or upside down insertion.

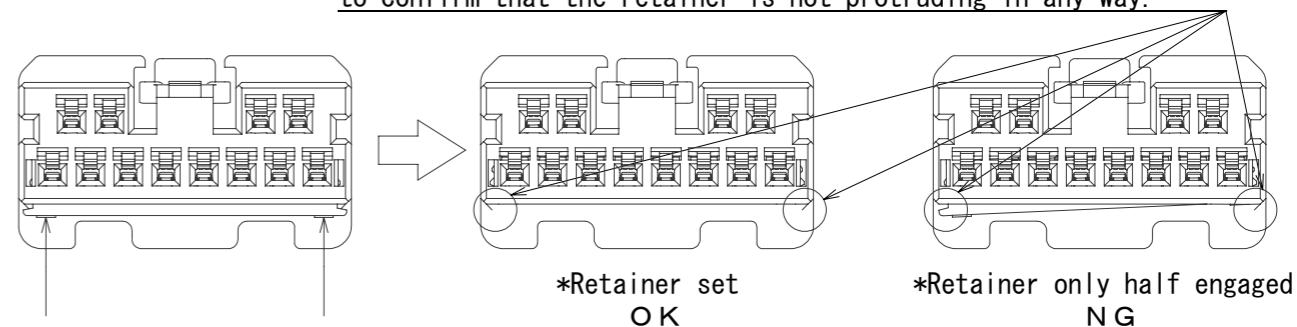


③ Press preset retainer until a click is heard.
Please press the retainer at one side, and then the other side to fully push it in.

Preset condition
(Configuration at time of delivery)

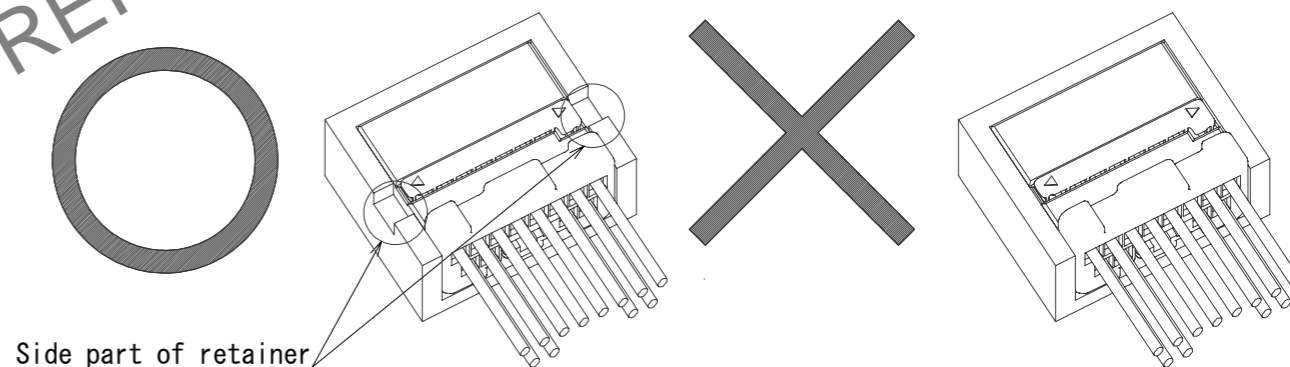
Set position

After setting the retainer, please inspect the housing head-on to confirm that the retainer is not protruding in any way.



Press the retainer at one side, and then the other side to fully push it in.

In the event that a jig will be used for setting of the retainer, please ensure that there is clearance on either side of the retainer. Using a jig that does not allow such clearance may result in damage to the female housing of the time of retainer insertion.



Other / Notes

- 1) Do not touch the terminal contact points or the interior of the barrel.
- 2) When the terminal is handled, please wear gloves in order to prevent corrosion.
- 3) Placing items on top of a terminal or dropping a terminal may result in shape deformities or contamination. Please handle terminals with care.
- 4) When the terminals are tangled, please do not forcibly pull or bend them apart, but disentangle them carefully.
- 5) Handle the terminals cautiously as as to avoid deformation.
- 6) Make sure that the terminals of crimped cables do not become entangled. When bundling or stacking cables, please prevent the terminals from being subjected to any external force.
- 7) Handle the parts cautiously so that the part is not subjected to any large shock.
- 8) Avoid storing in dusty areas.
- 9) Do not place wire harnesses on the floor.
- 10) Refrain from any handling that may result in terminal damage or deformation.
- 11) If the retainer is out of the housing, do not use either the housing or the retainer.
- 12) Do not use the housing once dropped.

HRS	DRAWING NO.	EDC-402829-00-00	2/2
	PART NO.	ZE05-2S-HU/R (B)	
	CODE NO.	CL0752-2221-0-00	
	NO.		

X-ON Electronics

Largest Supplier of Electrical and Electronic Components

Click to view similar products for [Automotive Connectors](#) category:

Click to view products by [Hirose](#) manufacturer:

Other Similar products are found below :

[72.330.1035.1](#) [776880-1](#) [827153-1](#) [9-1326729-8](#) [9-221607-5](#) [925474-1](#) [968782-1](#) [98891-1012](#) [98989-1011](#) [12004468](#) [12004475-L](#)
[12004483](#) [12033816](#) [12052466](#) [12066163](#) [12015909](#) [12077753](#) [12047958](#) [12084688](#) [12336-12](#) [12343-16-20](#) [13669373](#) [13681974](#)
[13688972](#) [13779834](#) [13796274](#) [13843152](#) [13581967](#) [13667961](#) [13669624](#) [13675513](#) [13753471](#) [13946876](#) [13955963](#) [13971791](#) [13979933](#)
[13797473](#) [13805590](#) [13888202](#) [1428188-1](#) [1437287-3](#) [1428188-2](#) [DS07-19S-5020](#) [1456987-7](#) [APD-7CP-H](#) [APK-SB25A10L](#) [1452931-2](#)
[15317331](#) [15326397](#) [15336198](#)